

a constant flow of solutions

Multicouplings Catalog

stucchigroup.com

PRODUCTS CATALOG

a constant flow of solutions





Since 1960, Stucchi is one of the leading manufacturers of quick disconnect couplings for all varieties of sizes and port configurations, ranging from 1/8" to 2" in dimensions to accommodate a wide range of application requirements.

Pressure capabilities extend to 720 bar operating pressure; port configurations include BSP, NPT, SAE and metric standard in stock; materials range from brass to 316 stainless steel; and there is also an assortment of seal options.



Its solutions-based approach meets the demanding requirements for applications across multiple markets.

Product quality assurance is documented throughout the company's supply chain, beginning with raw materials certifications, ongoing improvements in production materials, automation of production, fatigue testing, pressure-testing parts prior to shipping, and an ISO quality-management system.







	INTRODUCTION		
012	Why Multicoupling?		
013	Which Multicoupling?		
	MEDIUM/HIGH OPERATING PRESSURE		
018	DP - GR		
	Glossary		14
	Multi Description		15
	Multi Map		16
	How to choose		17
	Features		20
	Installation		21
	How to use		25
	Resistance		27
	Medium/High pressure index		29
030	MULTICOUPLINGS		
	DP	Up to 6 lines, body in aluminium with special treatment, locking on the side	30
	GR	Up to 10 lines, body in brass with nickel plating, locking on the lever	60
125	COUPLINGS		
	FAP-ZN	Flat face, hydraulic oil, connectable with residual pressure, medium pressure	125
	FAP-HP	Flat face, hydraulic oil, connectable with residual pressure, high pressure	133
	FAQ	Flat face, water-air, low pressure	139
144	PLUGS & SEEGER		
147	ELECTRICAL CONNECTORS		
	EC	Electrical connector	147
	LOW OPERATING PRESSURE		
152	GRE		
	Glossary		152
	Multi Description		153
	Multi Map		154
	How to choose		155
	Features		157
	Installation		158
	How to use		159
	Low pressure index		163
164	MULTICOUPLINGS		
	GRE	Up to 18 lines, body in aluminium, coupling in brass, locking on the lever	164
177	COUPLINGS		
	CS	Brass, water-air, low pressure	177
	SPARE KITS		
183	SPARE KIT LEVER		
	TECHNICAL INFO		
185	Other products		
188	Instructions and warning		
190	Conversion table		
191	Size, different references		
192	Quick Coupling Glossary		

DP

GR

FAP-ZN

FAP-HP

FAQ

EC

GRE

CS

Custom solutions? Ask Stucchi!

Since 1960 Stucchi has proposed customized and innovative solutions to the market. A continuous search for solutions that have generated a strong competence about the product and its many applications.

**For more information
please contact Stucchi Technical Support.**



Quick Couplings Stucchi Interchange

Select the Brand, the Series, the Part number and Stucchi Interchange will give you the equivalent Stucchi product.

Fill in the form on interchange.stucchi.it and discover the power of this tool.

Technical question? We are here to help you!

Every application is different and it may be challenging to choose the solution that will bring the most value and benefit to your equipment. That's why STUCCHI has a team of product engineers ready to help you to facilitate your work in every step of the process. **From the choice of the most suitable product to the pressure drop calculation or material compatibility check, they are here to assist you in all your design challenges.**

For more information please contact Stucchi Technical Support.

WARNING

A defect, a wrong choice or an improper use of products, can cause injury to persons, animals and objects.

Connect under pressure products are suitable to be connected under residual (static) pressure.

Never connect or disconnect with dynamic pressure (e.g. pump on).

Make sure that the medium used is compatible with seal and material as indicated for each series.

In case of doubt please contact Stucchi Technical Support.

The interchangeability of quick couplings is mentioned under the assumption that the manufacturer of the considered products has not changed any dimension.

It is mandatory to carefully read and closely follow the instructions before selecting or using any Stucchi products.

Always refer to the version uploaded in the Instructions and warning section of stucchigroup.com website for the latest release.

For specific, product-related, instructions, please contact Stucchi technical service.



ISO 9001, ISO 14001, ISO 45001

After certification of occupational health and safety management system (**ISO 45001**), Stucchi reached another major objective of the company policies through a careful performance of the service for the full compliance with national and international environmental management systems, certifying its model of business organization according to the **UNI EN ISO 14001:2004**.



ISO 14001

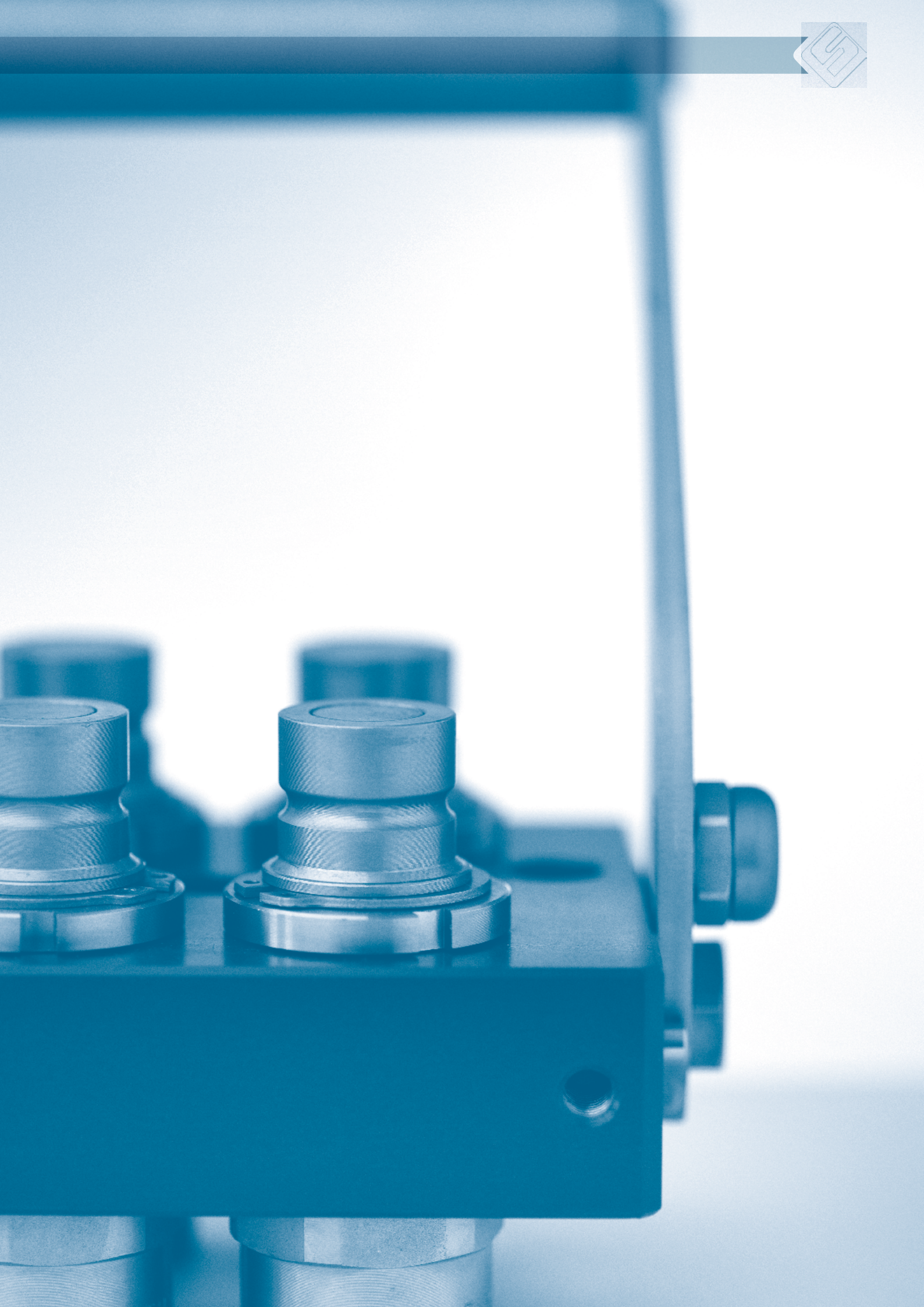


ISO 9001



ISO 45001

Certifications available on request



Applications



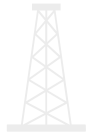
The strength that distinguishes Stucchi in the market is a “constant flow of solutions” in the development, manufacturing and distribution of products for fluid connections.

The vision that drives us towards the future is to be recognized by our customers as the supplier of choice for fluid power products and solutions that are easy to use, safe, durable, environmentally friendly and that help in saving energy. Following these principles Stucchi offers solutions that cover a wide range of applications constantly ensuring the quality of products.



Earth Moving

Stucchi couplings are suitable for machines and systems related with controlling mobile equipment used in off-highway applications.



Oil & Gas

In exploration, extraction, field services (upstream), storage and conveyance (downstream) of crude oil and natural gas Stucchi products are the best solutions.



Vehicles

Vehicle manufacturers appreciate Stucchi couplings for their high performances in hydraulic applications systems to connect different tools or trailers.



Agriculture

From conventional ‘popet design’ profile to flat face and multicouplings, Stucchi products are present on agricultural machines and attachments.



Industry

Stucchi couplings are present on machineries and systems used for industrial manufacturing.



Hydraulic Tools

Machineries and systems related to various hydraulic equipment (machine and automation tools, powered hand tools) require high performance couplings and Stucchi can provide them.



High Pressure

Stucchi couplings are present on systems associated with high pressure applications; not only on jacks, ram or clamping devices but also on rescue equipment.



Refrigeration

Stucchi quick couplings are equipped on systems associated with vehicles refrigeration (A/C recharge) and isothermal bodies through low temperature eutectic plates.



Cooling

Machineries for cooling of systems with water or water glycol can be equipped with Stucchi quick couplings.



Chemical & Food Industry

Stucchi couplings are used in chemical applications where flow performances associated with non-spill design allows to increase system specifications and to protect the environment.



Manual multicouplings are tools that allow the connection and disconnection of several hydraulic power lines, electrical and pneumatic or cooling lines simultaneously.

The connection and disconnection operation requires a simple and quick movement allowing the operator to save time and operate safely.

The multicouplings are equipped with flat face couplings that are designed to reduce contamination entering into a circuit, eliminate spillage, and reduce air inclusion during connection and disconnection of the couplings.

Stucchi offers a wide range of multicouplings to satisfy the diverse applications requirements. All the lines can have the same nominal diameter or each line can be different from the others according to the application.

BENEFITS

- Flexibility, large range of configuration to fulfill different Customer request
- Flat face couplings to reduce contamination of circuits
- Connects with residual pressure
- Mechanical connection eliminates brinelling effect
- Safety lock prevents unwanted disconnection
- Simple to use with a single movement applied by one arm only
- Ease of maintenance or replacement of quick couplings
- Cap and parking station available
- Possible to integrate hydraulic lines along with pneumatic, water cooling or electrical connector in the same multiconnection
- Minimize time to change different attachments
- Eliminate the risk to mismatch the hydraulic connections
- Reduce the assembly space necessary for hydraulic connections
- Easily mounted on new equipment or retrofit on pre-existing system
- Possibility to integrate heater, sensor, indexator key or other devices

Which Multicoupling?



Hydraulic oil power line

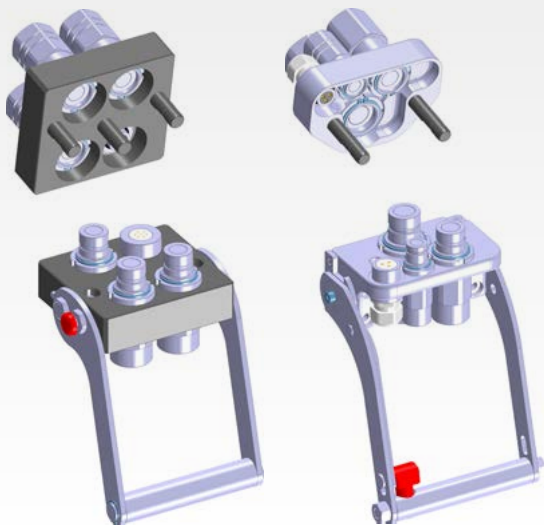
Operating pressure up to 350 bar - 5000 PSI

Connection / Disconnection under residual pressure

DP/GR

Features

- UP to 10 lines
- Plates in brass or aluminum
- Couplings in carbon steel
- FAQ series: coupling for water/glycol
- Optional: electrical connector, sensors...



Page 14

Water/Glycol - Air/Oil

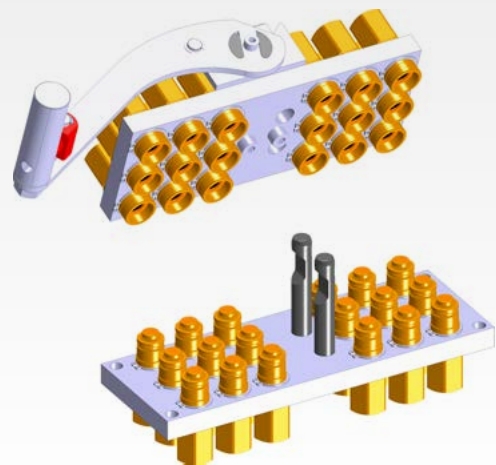
Operating pressure up to 10 bar - 145 PSI

Connection/Disconnection without residual pressure

GRE

Features

- UP to 18 lines
- Plates in anodized aluminum
- Couplings in brass
- Designed to be used for hydraulic oil-water/cooling-pneumatic application



Page 150

Where Multicoupling?



Agriculture



Oil&Gas



Industry



High Pressure



Cooling



Refrigeration



Earth Moving



Vehicles



Hydraulic Equipment



Chemical & Food Industry



Flat face

Flat face is easy to clean, helping to reduce the inclusion of contamination in the hydraulic circuit

+ Male & female couplings

Equipped with a patented special valve to connect & disconnect the hydraulic lines. Special couplings available for water cooling or pneumatic lines. The main purpose of the couplings is to convey fluid, hydraulic signals or energy thru the lines and automatically shut off without spillage during disconnection.



Electrical connector

Electrical connector option
Possible to integrate an electrical connector with hydraulic couplings in the same multiconnection. It is a good complement to Stucchi multiconnection adding the possibility to conduct low voltage signal for solenoid valve, sensor or other electronic Customer devices.

Fixed plate

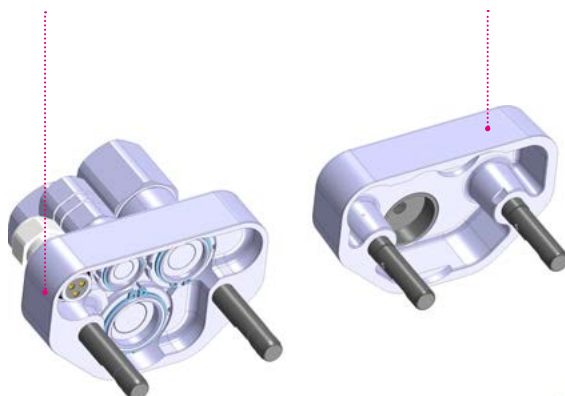
It is called "fixed" because is normally installed on the machine, thanks to the bolting holes to assemble the body on the frame of the Customer equipment. Fixed multiconnection is normally supplied with male couplings installed

Mobile plate

It is called "mobile" because is normally installed on the attachment (it is the part with the locking pins). The couplings of the mobile parts are connected to the flexible hose bundle of the attachment, so the mobile part of the Customer equipment.

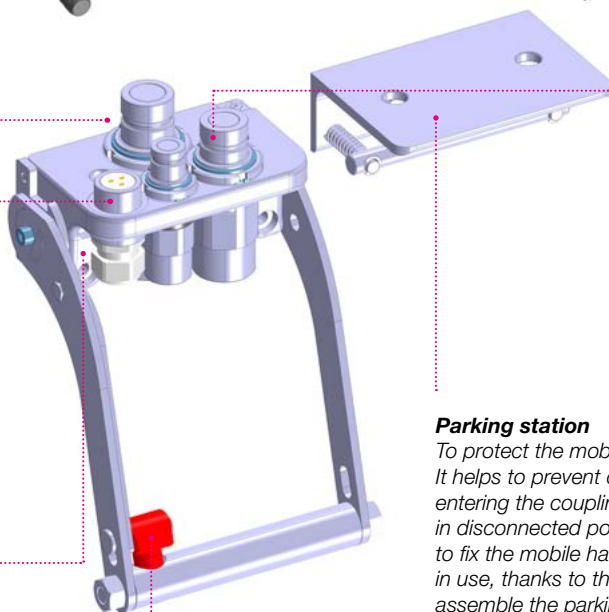
Cover for fixed multiconnection

Reinforced design made in Aluminum in order to resist to weather conditions. It helps to prevent dirt, pollutants & contamination entering the couplings of fixed multiconnection in disconnected position.



Male residual pressure eliminator

Patented internal pressure release valve system allows an easy connection with high internal residual pressure

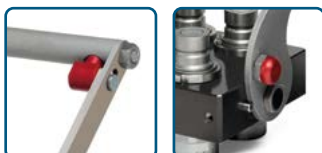


Parking station

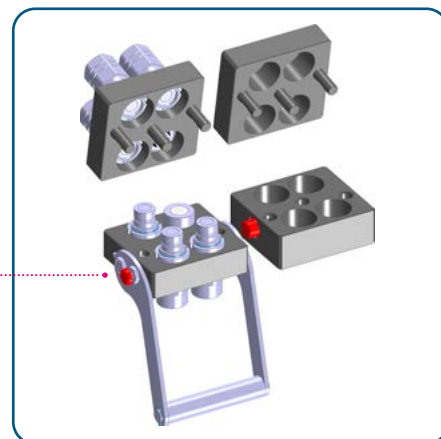
To protect the mobile half when disconnected. It helps to prevent dirt, pollutants & contamination entering the couplings of mobile multiconnection in disconnected position. In addition to that, it helps to fix the mobile half with his hose bundle when not in use, thanks to the fixing holes making possible to assemble the parking station on the attachment frame

Levers & Locking

Ergonomic lever for easy connection/disconnection with Safety lock system avoids accidental disconnection

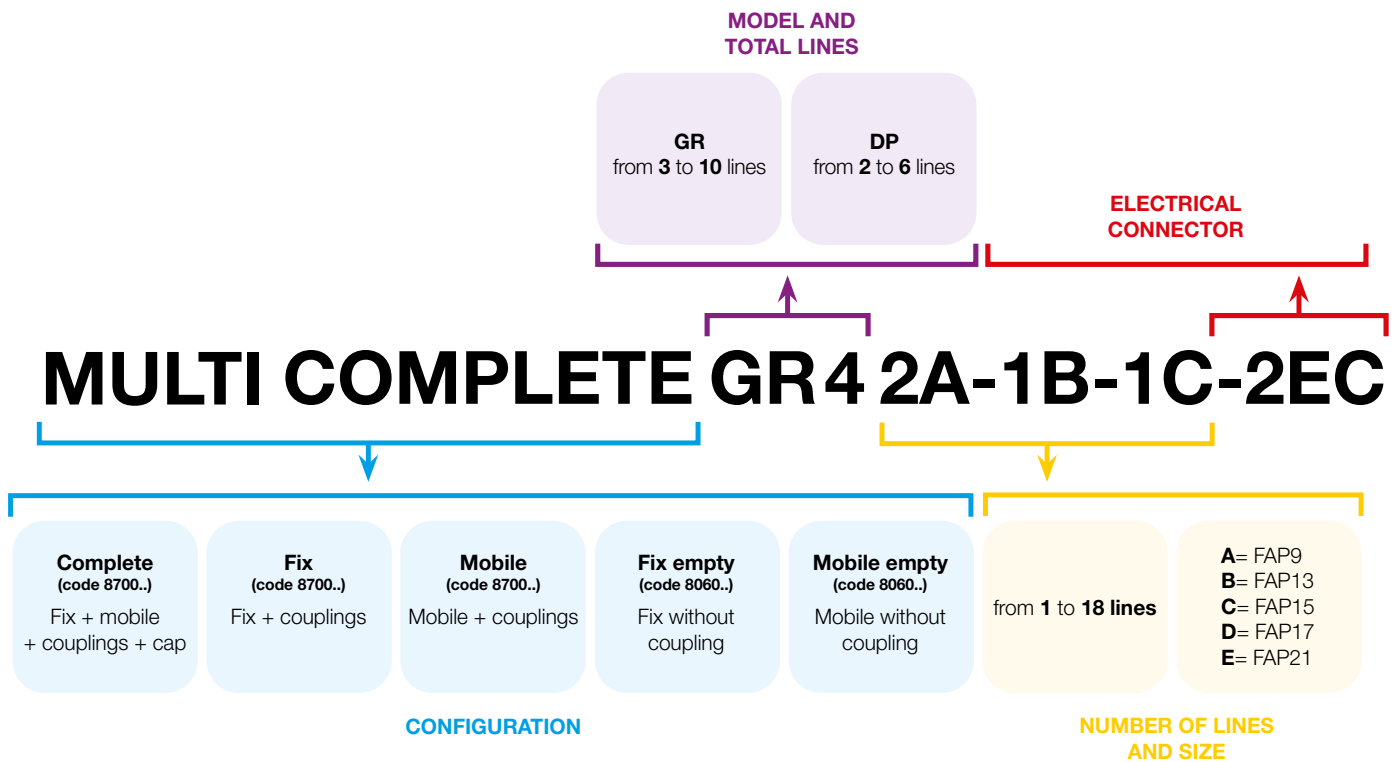


Same glossary for DP



DP - GR: multi description Stucchi®

The stucchi multicoupling description can help you to easily know the characteristics of a multicoupling: configuration and model, number of lines and size, presence of electrical connectors. See the example below...



DP - GR: multi map



New name	Family	Total Lines	FAP9 (A)	FAP13 (B)	FAP15 (C)	FAP17 (D)	FAP21 (E)	FAP30 (G)	EC*	Previous description	Page
Body size			3/8"	1/2"	5/8"	3/4"	1"	1-1/2"	3/8" 1/2"		
Max flow suggested (l/min)			46	90	148	200	378	750			
Mostly used adaptor (main alternative thread)			3/8" (1/2")	1/2" (3/4")	3/4"	1" (3/4")	1-1/4" (1")	1-1/2"			
DP2 2A-1EC	DP	2	2	A					1	DP2-9ZN	30
DP2 2A-2EC V04	DP	2	2	A					2	DP2-9L	32
DP2 2B-1EC	DP	2			2				1	DP2-13ZN	34
DP2 2B-2EC V04	DP	2			2				2	DP2-13L	36
DP2 2C	DP	2				2				DP2-15	38
DP2 2D	DP	2					2			DP2-17ZN	40
DP2 1A-1B	DP	2	1	D	1					DPT2ZN	42
DP3 1A-1B-1EC	DP	3	1	D	1				1**	DPT3ZN	44
DP3 1A-2C-1EC V04	DP	3	1	D		2			1		46
DP3 1C-2E	DP	3				1		2		DP3GE	48
DP3 2A-1EC	DP	3	2	A					1**	DPJ3ZN	50
DP4 4A V02	DP	4	4	A						DP4-9FAZN	50
DP4 4A-2EC	DP	4	4	A					2	DP4-9ZN	52
DP4 4B-2EC	DP	4			4				2	DP4-13ZN	54
DP6 4A-2EC	DP	6	4	A					2**	DP6-9ZN	56
DP6 2A-4D-2EC	DP	6	2	D			4		2	DP6AD	58
GR3 3A-1EC	GR	3	3	A					1	GR3-9ZN	60
GR3 3B-1EC	GR	3			3				1	GR3-13ZN	62
GR3 1A-2E-1EC	GR	3	1	D				2	1	GRK3ZN	64
GR3 2B-1C-2EC	GR	3			2	1			2	GRI3	66
GR4 2A-1B-1C-2EC	GR	4	2	D	1	1			2	GRI4SBZN	68
GR4 2A-2B-2EC	GR	4	2	D	2				2	GRB4ZN	70
GR4 2A-1B-1D-2EC	GR	4	2	D	1		1		2	GR4MRZN	72
GR4 2A-1C-1D-2EC	GR	4	2	D		1	1		2	GRI4ZN	74
GR4 2A-2C-2EC	GR	4	2	D		2			2	GRI4TBZN	76
GR5 2B-3D-2EC	GR	5			2		3		2	GR5AAZN	78
GR5 3A-1D-1E-2EC	GR	5	3	D			1		2	GRD5ZN	80
GR5 2B-2C-1E-2EC	GR	5			2	2		1	2	GRZ5ZN	82
GR5 5C	GR	5				5				GR5-15ZN	84
GR6 6A-2EC	GR	6	6	A					2	GR6-9ZN	86
GR6 4A-2B-2EC	GR	6	4	D	2				2	GRT6ZN	88
GR6 4B-2D-4EC	GR	6			4		2		4	GR6ABZN	90
GR6 2A-2B-2C-2EC	GR	6	2	D	2	2			2	GRM6MCZN	92
GR6 6B-2EC	GR	6			6				2	GR6-13ZN	94
GR6 3A-1B-1C-1D-2EC	GR	6	3	D	1	1	1		2	GRC6ZN	96
GR6 1A-1B-1C-2D-1EC	GR	6	1	D	1	1	2		1	GRP6ZN	98
GR6 2A-2C-2D-2EC	GR	6	2	D		2	2		2	GRM6ZN	100
GR6 2A-2B-1D-1E-2EC	GR	6	2	D	2		1		2	GRU6ZN	102
GR6 2B-4D-2EC	GR	6			2		4		2	GR6LLZN	104
GR6 2A-4C-2EC	GR	6	2	D		4			2	GRM6ALZN	106
GR6 2A-1B-2D-1E-3EC	GR	6	2	D	1		2	1	2	GR6AF	108
GR7 4A-3B-4EC	GR	7	4	D	3				4	GR7ABZN	110
GR7 4A-3B-4EC V01	GR	7	4	D	3				4	GR7ABZNL	110
GRHP7 7A-4EC	GR	7	4	D					4	GR7ACZN	112
			3	"HP"							
GR7 4A-1B-2D-4EC	GR	7	4	D	1		2		4	GR7AAZN	114
GR8 6A-2B-6EC	GR	8	6	D	2				6	GR8ABZN	116
GR8 7A-1D-7EC	GR	8	7	D			1		7	GR8AAZN	118
GR10 10A-2EC	GR	10	10	D						GR10-9LCZN	120
GR10 10A-2EC V01	GR	10	10	D						GR10-9ZNSD	120
GR10 10A-2EC V03	GR	10	10	D					2	GR10-9ZN	120
GR10 10B-2EC	GR	10			10				2	GR10-13ZN	122

* Electrical Connector instead of hydraulic line

** this line is only dedicated for EC

FAP9 "A" and "D": the version is depending on the type of multicoupling in use.

Step A

Define the type of multicoupling you need

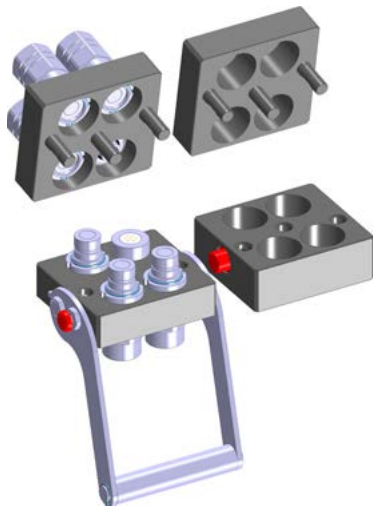
Step B

Choose configuration of the multicoupling

Step C

Set up each line

A. DEFINE THE TYPE OF MULTICOUPLING YOU NEED



DP

Features

- Hydraulic oil power line
- Operating pressure up to 350 bar
- Dis/connection under pressure
- Up to 6 lines
- Body in aluminium with special treatment
- Locking on the side



GR

Features

- Hydraulic oil power line
- Operating pressure up to 350 bar
- Dis/connection under pressure
- Up to 10 lines
- Body in brass with nickel plating
- Locking on the lever

B. CHOOSE CONFIGURATION OF THE MULTICOUPLING



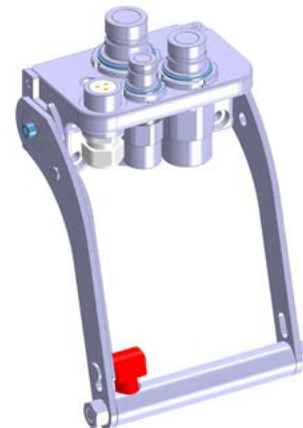
1 Dimension your couplings and EC

Coupling size choice is based on:

- Flow/Pressure drop
- Operating pressure (check on the FAP-ZN, FAP-HP or FAQ serie datasheet)
- Hose/Port size

2 Define your configuration = List your couplings & EC

Eg: 2 x size 3/8" + 1 x size 1/2" + 1 EC



3 Choose the multicoupling for your configuration

Use the overview table 'Multi Description' to choose the multicoupling for your listing/configuration

Advice:

1. You can increase the size of some couplings to have a better match with an existing configuration.
2. In case of too many lines, you may need to divide your configuration in different plates.

4 Verify the resistance of your multicoupling

Use 'Max. Multicoupling Resistance' provided on the single datasheet to be sure that the multicoupling will be able to handle the pressure once connected.

See page 27 for details.

C. SETUP EACH LINE

Hydraulic oil
 Connectable under pressure
 Medium pressure

FAP-ZN*



Hydraulic oil
 Connectable under pressure
 High pressure

FAP-HP



Water-Glycol
 Not connectable under pressure
 Low pressure

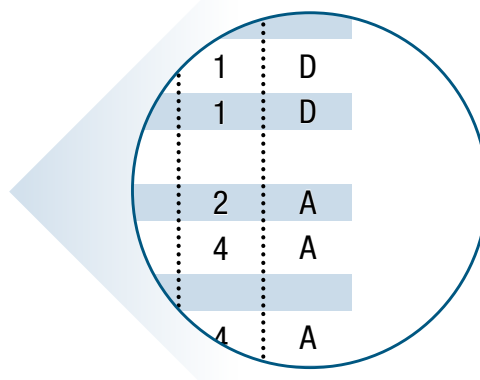
FAQ



Choose your port type (BSP/SAE-ORB/NPT...) and port size

* if size 3/8" check the multicoupling to know if you need a type A or D (See Multi Map pag. 16)

New name	Family	Total Lines	FAP9 (A)	
Body size			3/8"	
Max flow suggested (l/min)			46	
Mostly used adaptor (main alternative thread)			3/8" (1/2")	
DP2 2A-1EC	DP	2	2	A
DP2 2B-1EC	DP	2		
DP2 2B-2EC V04	DP	2		
DP2 2C	DP	2		
DP2 2D	DP	2		
DP2 1A-1B	DP	2	1	D
DP3 1A-1B-1EC	DP	3	1	D
DP3 1C-2E	DP	3		
DP3 2A-1EC	DP	3	2	A
DP4 4A-2EC	DP	4	4	A
DP4 4B-2EC	DP	4		
DP4 4A V02	DP	4	4	A
DP6 4A-2EC	DP	6	4	A
DP6 2A-4D-2EC	DP	6	2	D



Technical features and options



Interchange

Stucchi internal specification



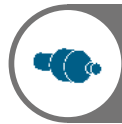
Available threads

BSP NPT SAE



Mechanical connection

Internal cams and locking pins



Valving style

Flat Face



Connection/disconnection system

Rotating the lever after disengage the locking system



Operating pressure

Up to 350 bar/5000 psi



Construction material and surface treatment

Body plates in aluminum alloy with hard oxidation surface treatment for DP; Body plates in brass with nichel plating for GR; lever in carbon steel with zinc nickel plating.



Flow rate

Up to 378 l/min - 100 GPM



Nominal diameter available

FAP9=3/8", FAP13=1/2", FAP15=5/8", FAP17=3/4", FAP21=1"



Temperature

from -20 °C to +100 °C
(from -4 °F to +212 °F).



Connection under pressure

Connectable with residual pressure in both sides with FAP-ZN couplings

Application



Agriculture



Oil&Gas



Industry



High Pressure



Cooling



Refrigeration



Earth Moving



Vehicles



Hydraulic Equipment



Chemical & Food Industry

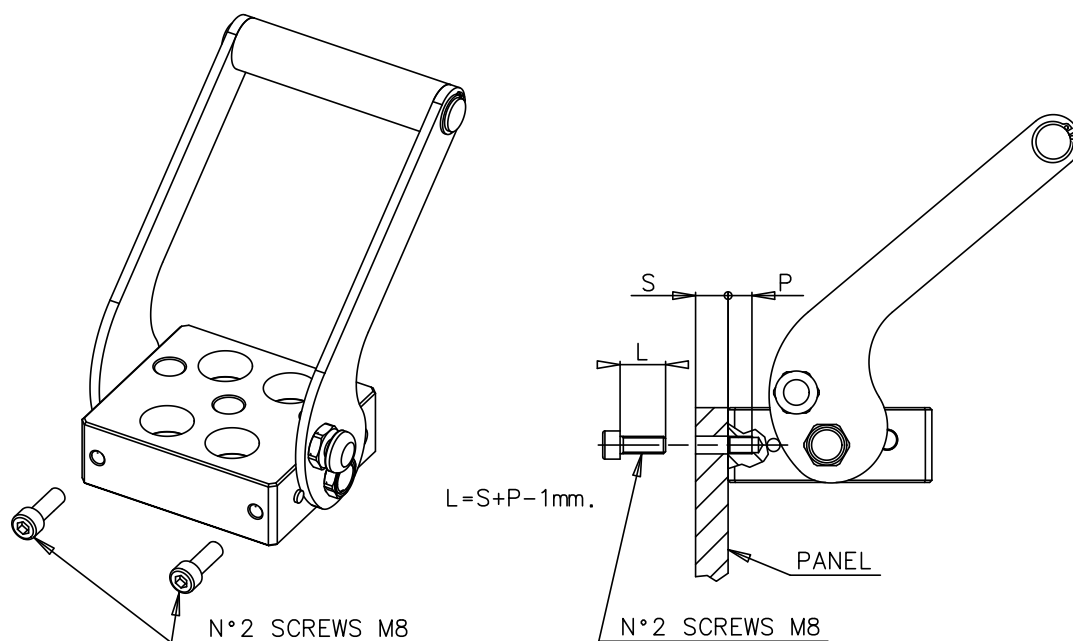
Benefits

- Optimal solution for hydraulic fluid power applications with a operating pressure up to 350 bar.
- Quick connection and disconnection of up to ten hydraulic, electrical and pneumatic lines without any risk to incorrect connection of the lines.
- Ergonomic lever for easy connect/disconnect with residual pressure.
- Patented coupling design to connect/disconnect multiple couplings with high residual pressure.
- Flat face couplers eliminate environmental issue of leakage.
- No risk of misalignment or misconnection with guide pin design.
- Couplers mounted with snap rings for ease of installation or replacement.
- Fixed half male couplers interchangeable with FIRG or A series flat face coupling for temporary diagnostic purpose.
- Electrical connector option for electronic control systems.
- Easily mounted on new equipment or retrofit on pre-existing system.

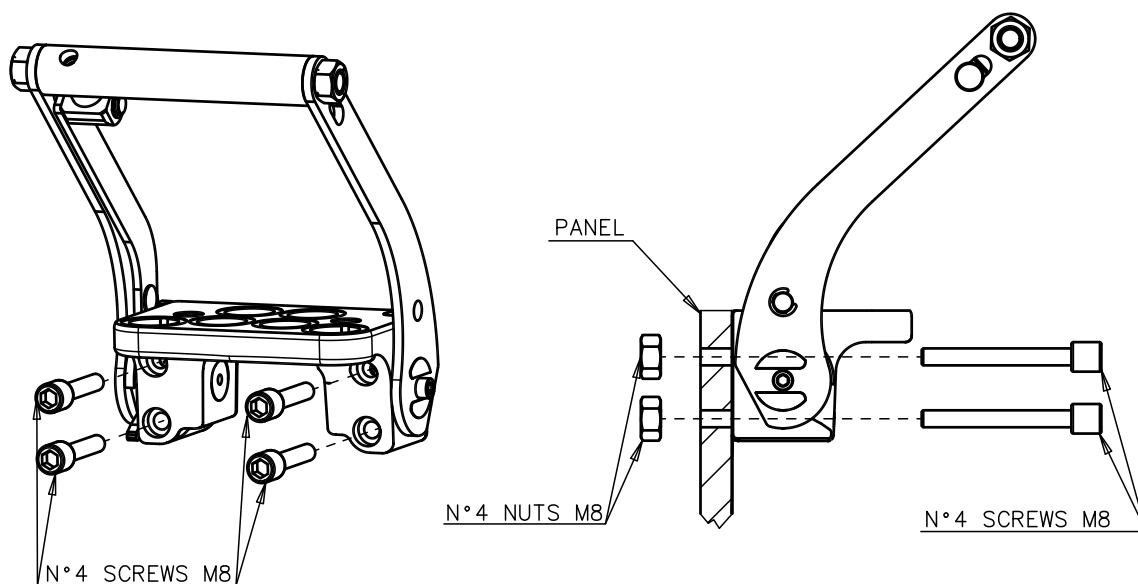
Installation

- Ensure the space to assemble the multiconnection is enough to allow the correct connection & disconnection in an ergonomic way. Check the drawing of the multiconnection referring to the corresponding datasheet.
- For GR version: If the fixed multiconnection has the couplings assembled in the holes: disassemble the couplings close to the fixing holes prior to proceed with the installation.
- Attach the fixed multiconnection on the machine using fixing screws as indicated in the drawing below.
- After having assembled the couplings on the hoses, place the couplings in the holes of the multiconnection and lock them using proper threaded sleeve and/or seeger/snap rings.
- Please refer to corresponding FAP-ZN or FAQ coupling series datasheet for further information.
- Use flexible hoses to connect the couplings; avoid to using rigid pipes as they could transmit excessive side load & vibration to the multiconnection.

DP



GR



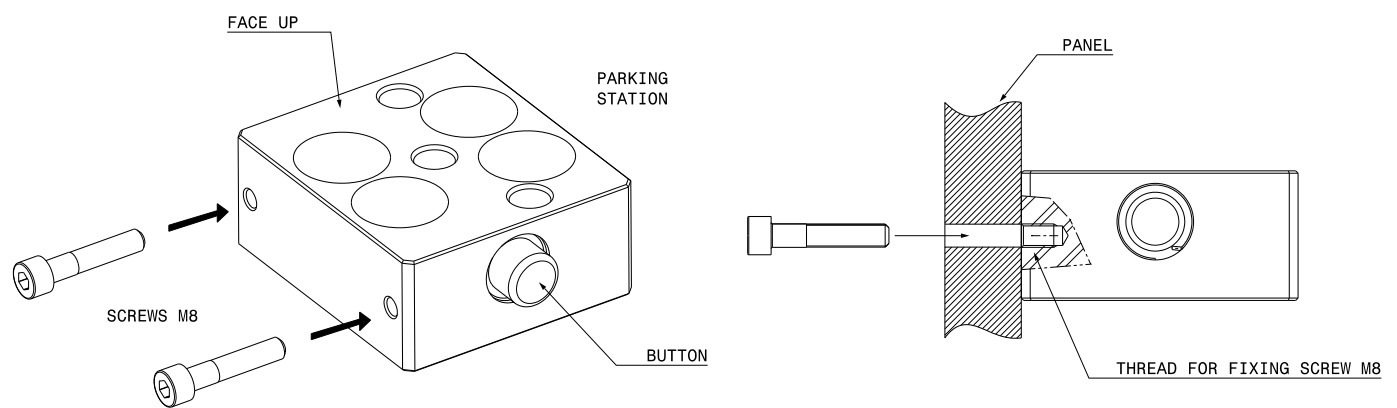
To install the parking station

Ensure the space to assemble the parking station is enough to allow the correct connection & disconnection in an ergonomic way. Check the drawing of the parking station.

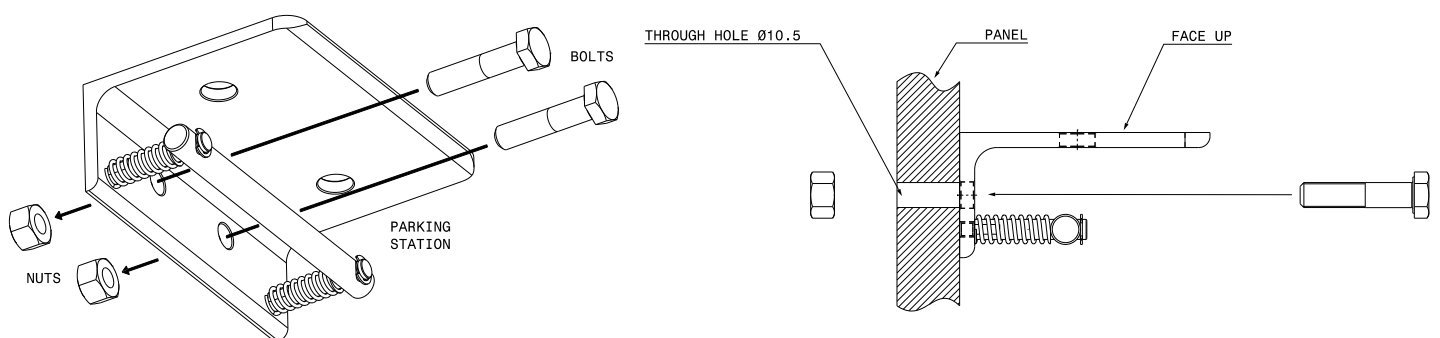
Fix the parking station body on the machine or the frame of the attachment using fixing screws as indicated in the drawing of the corresponding parking station.

Please verify the parking station is placed "face up".

DP

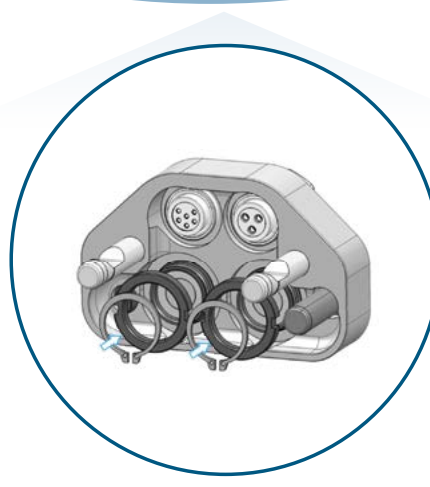
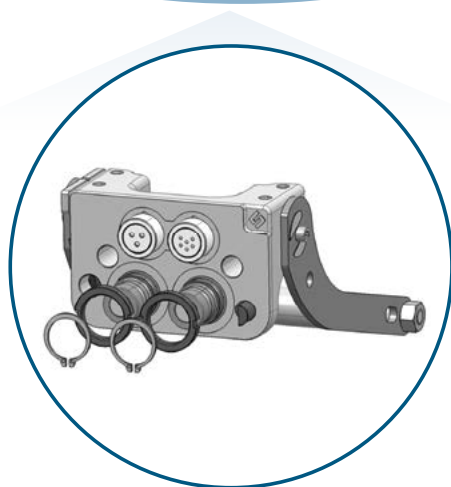
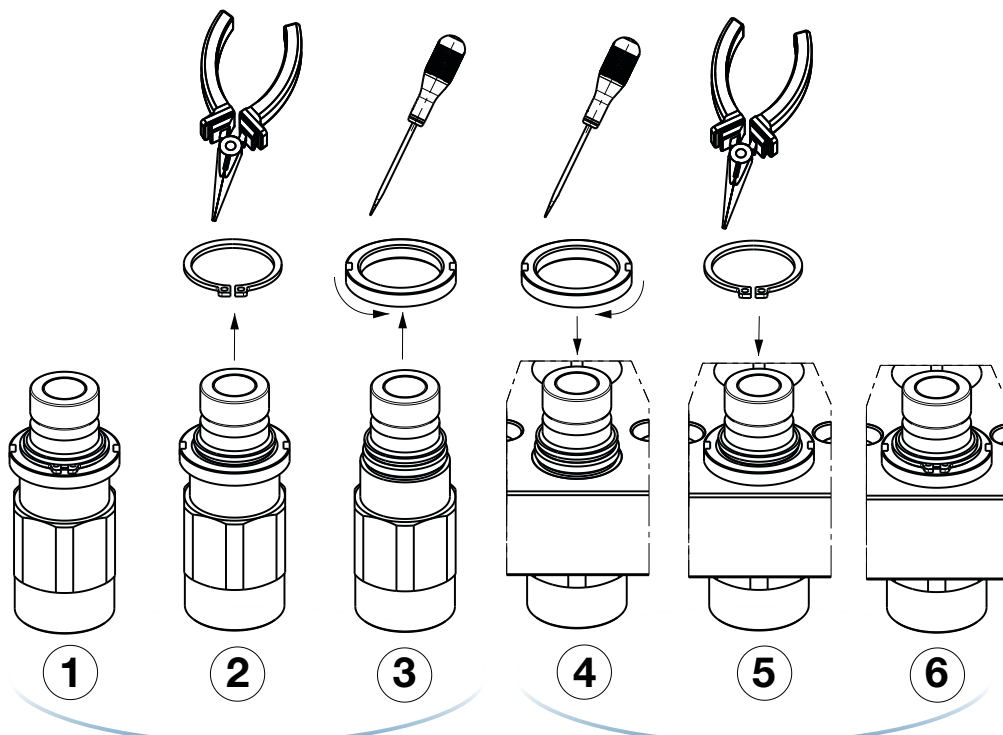


GR



FAP-ZN: How to install

- FAP-ZN couplings are normally supplied already assembled on the Stucchi multiconnection or may be supplied as a spare part to be replaced on a Stucchi multiconnection.
- To assemble the FAP-ZN couplings on the multiconnection: take away the seeger ring, unscrew the threaded nut, mount the flexible hose on the threaded port (screwing with the proper torque), insert the coupling in the hole of the multiconnection; screw the threaded nut with a manual torque (an overtorque is not necessary!) then assemble the seeger ring to lock the threaded nut (fig. below 1...6) .
- To disassemble the FAP-ZN couplings from the multiconnection: take away the seeger ring, unscrew the threaded nut, extract the coupling from the hole of the multiconnection (fig. below viceversa 6 to 4) then proceed to disassemble the flexible hose from the threaded port.
- Before connecting clean the flat mating surface of coupling to avoid inclusion of contamination in the circuit.
- Connect and disconnect in according to the instruction of use for multicoupling.
- Test the correct functioning of the couplings



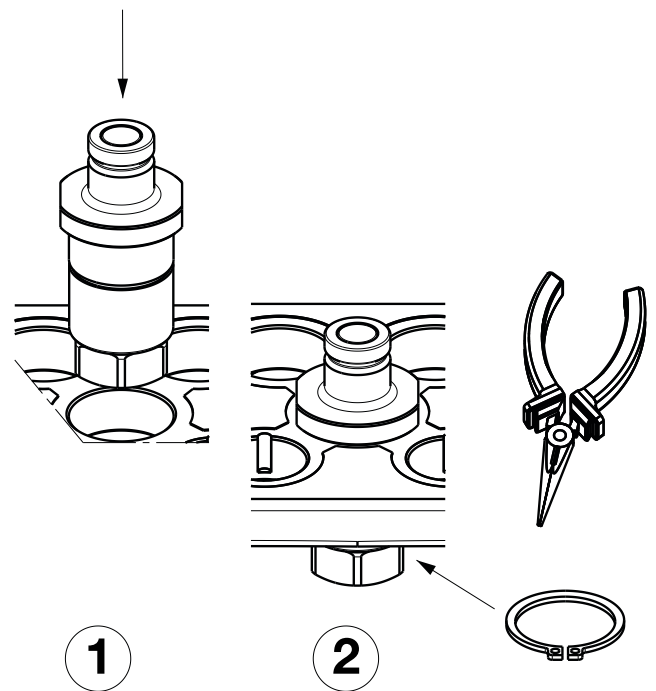
WARNING

During the assembly/dismantling of the quick couplings, be careful to not deform the seeger rings. if deformed, replace them.



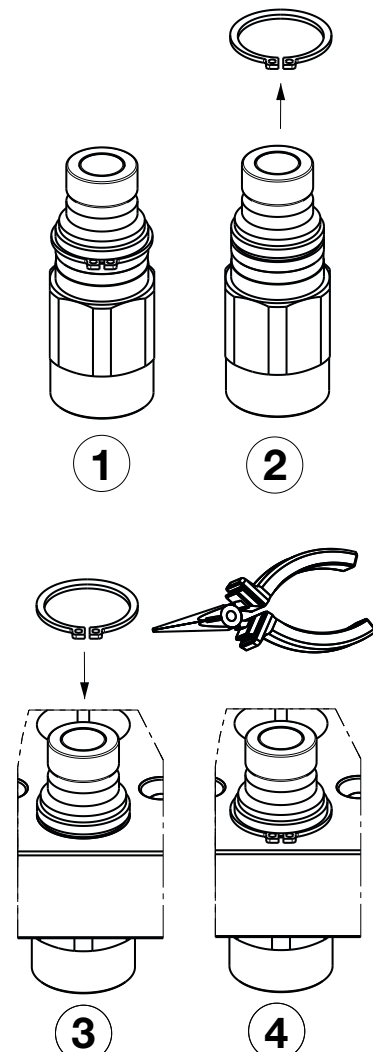
FAP-HP: How to install

- FAP-HP couplings are normally supplied already assembled in the Stucchi multiconnection or may be supplied as a spare part to be replaced on a Stucchi multiconnection.
- To assemble the FAP-HP couplings in the multiconnection: take away the seeger ring on the back side of the male & female, insert the coupling in the hole of the multiconnection then assemble the seeger ring on the back of side to lock the couplings in the plates, mount the flexible hose on the threaded port (screwing with the proper torque), (fig. below 1...2) .
- To disassemble the FAP-HP couplings from the multiconnection: take away the seeger ring from the back side of male & female then proceed to disassemble the flexible hose from the threaded port. , extract the coupling from the hole of the multiconnection (fig. below reverse process)
- Before connecting clean the flat mating surface of coupling to avoid inclusion of contamination in the circuit.
- Connect and disconnect in according to the instruction of use for multicoupling.
- Test the correct functioning of the couplings



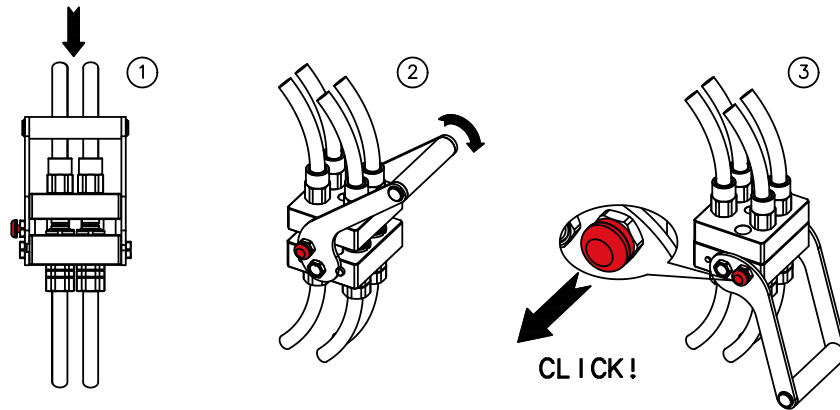
FAQ: How to install

- FAQ couplings may be fitted in the same holes of FAP-ZN couplings; read the table on the specific multiconnection as described below:
- FAP9A: in the hole may be assembled the FAQ9A coupling
- FAP9D: in the hole may be assembled the FAQ9D coupling
- FAP13 or FAP15 or FAP17 or FAP21 : in the hole may be assembled respectively FAQ13,15,17,21 coupling.
- FAQ couplings are normally supplied already assembled on the Stucchi multiconnection or may be supplied as a spare part to be replaced on a Stucchi multiconnection.
- To assemble/disassemble the FAQ couplings on the multiconnection: take away the seeger ring from the groove, assemble the flexible hose on the threaded port, insert the coupling in the proper hole of the multiconnection; then assemble the seeger ring to lock the FAQ in the multiconnection. Follow the sequence shown in the drawing below from 1 to 4 for assembly operation; to disassemble follow the same sequence but viceversa from 4 to 1.
- Be careful during the assembly of the seeger ring: if damaged replace it with a new one.
- Before to couple clean the flat mating surface of quick coupling to avoid the inclusion of dirty in the circuit.
- Connect and disconnect in according to the instruction of use for multicoupling.



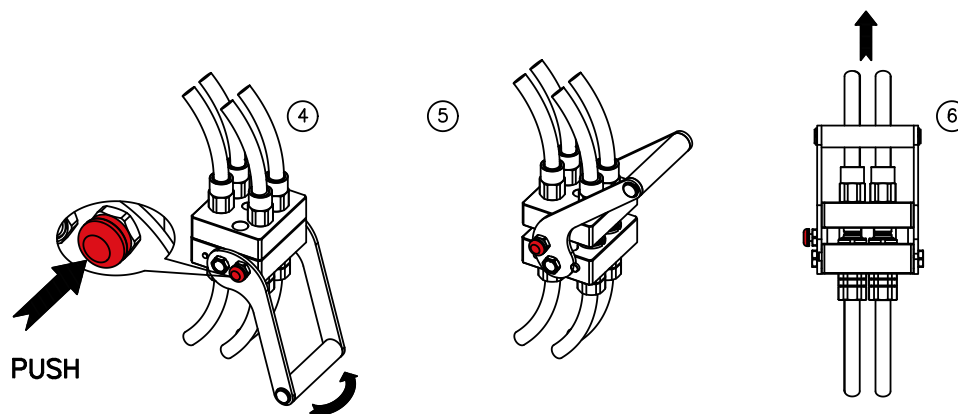
To connect

- Before coupling, clean the flat mating surface of the couplings to avoid inclusion of dirt in the circuit.
- Insert the guidance pins of the mobile multicoupling into the holes of the fixed multicoupling and move the mobile half till the contact of the couplings faces (fig. 1).
- Acting on the handle turn the lever in the direction of the fixed multicoupling (fig. 2).
- Continue to rotate till the safety lock automatically engage itself (fig. 3).
- Now the multicoupling is coupled and ready to work.
- In case of connection with residual pressure in the circuit, the maximum force is required only for the last third of the connection.



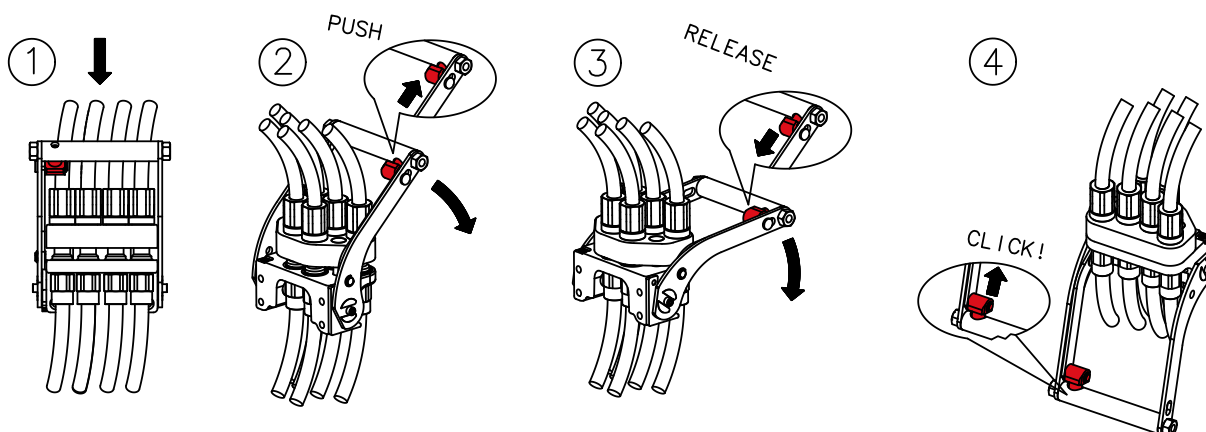
To disconnect

- Push the red safety button, at the same time acting on the handle turn the lever in the direction of the mobile multicoupling (fig. 4).
- Continue to rotate till the mechanical stop of the levers (fig. 5).
- Now the multicoupling is uncoupled and it is possible to pull out the mobile half (fig. 6).
- In case of disconnection with residual pressure in the circuit, the maximum force is required only for the first third of the disconnection.



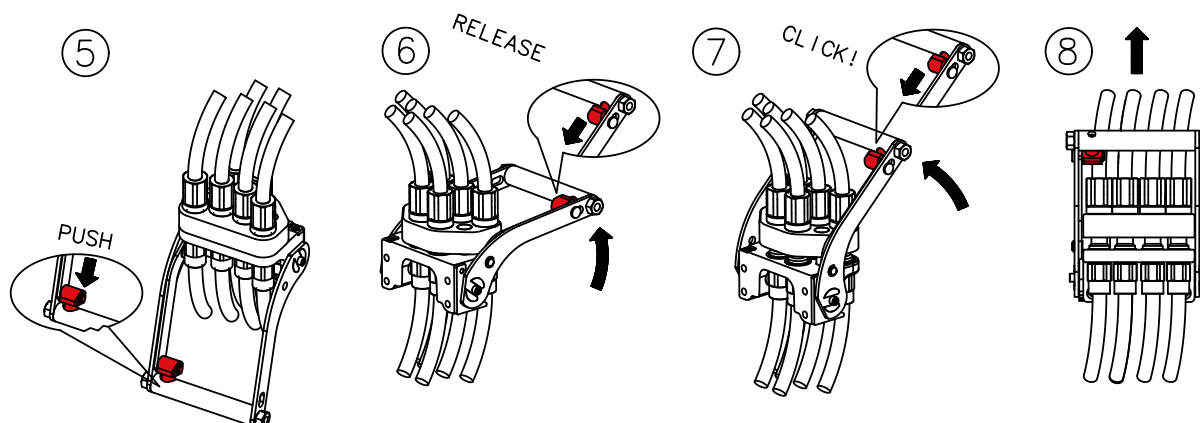
To connect

- Before coupling, clean the flat mating surface of the couplings to avoid the inclusion of dirty in the circuit.
- Insert the guidance pins of the mobile multicoupling into the holes of the fixed multicoupling and move the mobile half till the contact of the couplings faces (fig. 1).
- Push the red safety button to unlock the rotation of the lever, and in the same time acting on the handle turn the lever in the direction of the fixed multicoupling (fig. 2).
- After a short rotation release the red button (fig.3).
- Continue to rotate till the safety lock automatically engage itself (fig. 4).
- Now the multicoupling is coupled and ready to work.
- In case of connection with residual pressure in the circuit, the maximum force is required only for the last third of the connection.



To disconnect

- Push the red safety button, at the same time acting on the handle turn the lever in the direction of the mobile multicoupling (fig. 5).
- After a short rotation release the red button (fig. 6).
- Continue to rotate till the mechanical stop of the levers (fig. 7).
- Now the multicoupling is uncoupled and it is possible to pull out the mobile half (fig. 8).
- In case of disconnection with residual pressure in the circuit, the maximum force is required only for the first third of the disconnection.



Resistance

All Stucchi multicouplings have been tested at their maximum resistance by impulse pressure test (for 200.000 cycles in according with ISO norm; 100.000 cycles for model GRHP7 7A-4EC).

The maximum resistance (N) for each multicoupling model is indicated in the data sheets.

The force applied to multicoupling coupled depends on the number of couplings under pressure at the same time, on their operating pressure and on their size. For a correct use of the multicoupling it is necessary to verify that the force is not higher than the maximum resistance of the multicoupling.

$$F = [(P3/8 \times S3/8) + (P1/2 \times S1/2) + (P5/8 \times S5/8) + (P3/4 \times S3/4) + (P1 \times S1)] \times 10$$

F = Force applied to multicoupling (N)

P = Total amount of operating pressure coupled in the couplings with same size (bar)

S = Hydrostatic pushing area coupled (cm²)

The operating pressure for a single coupling must not be higher than the maximum operating pressure coupled indicated in table.

Coupling size	Hydrostatic pushing area coupled	Maximum operating pressure coupled for FAP-ZN couplings
FAP-ZN9 - 3/8	S3/8= 1,226 cm ²	35 Mpa (350 bar)
FAP-ZN13 - 1/2	S1/2= 1,893 cm ²	33 Mpa (330 bar)
FAP-ZN15 - 5/8	S5/8= 2,404 cm ²	33 Mpa (330 bar)
FAP-ZN17 - 3/4	S3/4= 3,298 cm ²	33 Mpa (330 bar)
FAP-ZN21 - 1	S1 = 4,335 cm ²	30 Mpa (300 bar)

Example

Max. resistance of 870015092 MULTI COMPLETE GR6 2A-2C-2D is 23000 N.

To verify if 870015092 MULTI COMPLETE GR6 2A-2C-2D multicoupling resists to operating condition of following application:

One line size 3/8 with max. operating pressure coupled of 30 Mpa (300 bar)

One line size 3/8 with max. operating pressure coupled of 15 Mpa (150 bar)

One line size 5/8 with max. operating pressure coupled of 25 Mpa (250 bar)

One line size 5/8 with max. operating pressure coupled of 10 Mpa (100 bar)

One line size 3/4 with max. operating pressure coupled of 20 Mpa (200 bar)

One line size 3/4 with max. operating pressure coupled of 5 Mpa (50 bar)

It is necessary to verify that F (force applied to multicoupling) is not greater than max. multicoupling resistance:

$$P3/8 = 300 \text{ bar} + 150 \text{ bar} = 450 \text{ bar}$$

$$P5/8 = 250 \text{ bar} + 100 \text{ bar} = 350 \text{ bar}$$

$$P3/4 = 200 \text{ bar} + 50 \text{ bar} = 250 \text{ bar}$$

$$F = [(P3/8 \times S3/8) + (P5/8 \times S5/8) + (P3/4 \times S3/4)] \times 10 =$$

$$F = [(450 \times 1,226) + (350 \times 2,404) + (250 \times 3,298)] \times 10 =$$

$$F = [551.7 + 841.4 + 824.5] \times 10 = 22.176 \text{ N}$$

Being F (21732 N) lower than max. multicoupling resistance (23000 N), the 870015092 MULTI COMPLETE GR6 2A-2C-2D multicoupling is suitable for this application.

⚠ WARNING

A defect, a wrong choice or an improper use of products, can cause injury to persons, animals and objects.

Never connect or disconnect with dynamic pressure (e.g. pump on).

Do not use the female coupling disconnected with high impulse pressure.

Do not couple-uncouple with flow and/or pressure in the circuit.

Do not couple-uncouple when the temperature inside of the circuit is higher than 80 °C (176 °F).

Check the maximum allowable operating pressure of the port in use.

Make sure that the medium used is compatible with seal and material as indicated for each series.

In case of doubt please contact Stucchi Technical Support.

It is MANDATORY to read and closely follow the instructions. Last updated version always apply at time of installation, see latest written Instructions on Stucchi website (stucchigroup.com) before selecting or using Stucchi products.

Do not force the lever without pushing the red safety button.

Do not use extensions or other tools to ease the rotating of the lever.

Do not connect the fixed half with the mobile half if dirt or other material (tool, finger) is between them

Pay attention during the connection not to put finger or other body parts between the plates

We advise to assemble the multicoupling with the female face down in order to allow water or moisture to be drained easily.

Do not exceed single coupling performance and total multicoupling resistance of the multicoupling (please refer to dedicated datasheet)

Read&follow also the corresponding catalogue of the coupling and/or electrical connector in use in the multicoupling.

When the multicoupling is disconnected, it is suggested to use the protection cover for the fixed half and the parking station for the mobile half.

Do not modify, disassemble or damage the multicoupling, part of it or coupling/electrical connector, the lever or safety lock system.

Stucchi Multicoupling GR&DP are intended to be used for hydraulic oil applications: do not use the products for dangerous, inflammable or explosive fluids (Example: heat transfer oil at very high temperature, steam ...).

Stucchi Multicoupling GR&DP are intended to be used for hydraulic oil applications with limitations given by NBR seal compatibility&temperature range.

Do not use GR&DP series multicoupling for very high temperature applications.



MULTICOUPLINGS

Easy CUP



DP p. 30

Valving style: Flat face
 Interchange: Stucchi profile
 Sealing description: Nitrile NBR
 Available sizes: From 3/8" to 1"
 Flow rate: Up to 378 l/min
 Material: Carbon steel, Aluminium / Cr3
 Connection under pressure: Allowed

Easy CUP



GR p. 60

Valving style: Flat face
 Interchange: Stucchi profile
 Sealing description: Nitrile NBR
 Available sizes: From 3/8" to 1"
 Flow rate: Up to 378 l/min
 Material: Carbon steel, Brass / Cr3
 Connection under pressure: Allowed

COUPLINGS



FAP-ZN p. 125

Valving style: Flat face
 Interchange: Stucchi interface
 Available sizes: From 3/8" to 1"
 Operating pressure: Up to 350 bar
 Flow rate: Up to 378 l/min
 Material: High strength carbon steel
 Connection system: By multicoupling
 Connection under pressure: Both sides, easy connection



FAP-HP p. 133

Valving style: Flat face
 Interchange: Stucchi interface
 Available sizes: 3/8"
 Operating pressure: Up to 720 bar
 Flow rate: Up to 46 l/min
 Material: High strength carbon steel
 Connection system: By multicoupling
 Connection under pressure: Both sides, easy connection



FAQ p. 139

Valving style: Flat face
 Interchange: Stucchi interface
 Available sizes: From 3/8" to 3/4"
 Operating pressure: Up to 20 bar
 Flow rate: Up to 200 l/min
 Material: High strength carbon steel
 Connection system: By multicoupling
 Connection under pressure: Not allowed

ELECTRICAL CONNECTOR



EC p. 147

Interchange: Stucchi interface
 Max number of contacts: 7
 Seals: NBR (Nitrile)
 Material: Body brass nickel plated;
 cable retainer in plastic
 Contact diameter: 2 mm
 Ampere: 12 service to 15 max (each contact)
 Voltage: 24V max
 Connection contact and electrical wire: To crimp
 IP protection: Not listed

DP2 2A-1EC

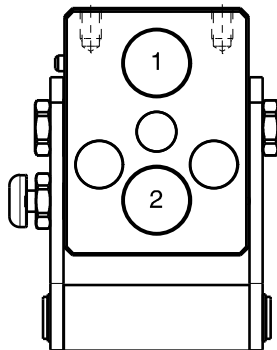
Previous description	Max. Resistance	FAP9 (A)	FAP13 (B)	FAP15 (C)	FAP17 (D)	FAP21 (E)	FAP30 (G)
Body size		3/8"	1/2"	5/8"	3/4"	1"	1-1/2"
DP2-9ZN	8000 N	2	A				



DRAWING



CONFIGURATIONS



Possible configurations		
Pos	Coupling size	Predisposition for electrical connector
1	FAP9AZN	YES
2	FAP9AZN	-

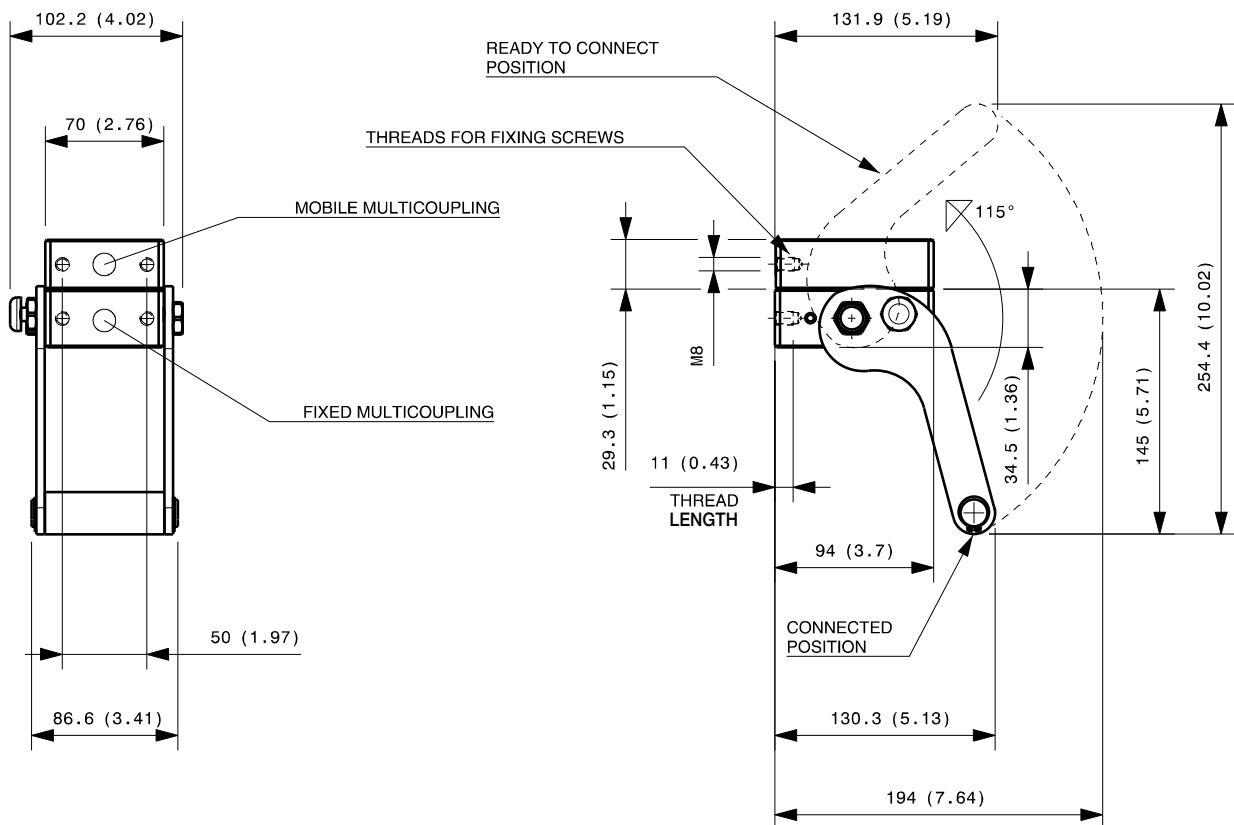
MultiCoupling (couplings included)		
Code	Name	Description
870007015	MULTI COMPLETE DP2 2A	2 FAP9A 1/2 BSP - CAP
870007016	MULTI COMPLETE DP2 2A	2 FAP9A 3/8 BSP - CAP
870007017	MULTI COMPLETE DP2 2A	2 FAP9A L15 - CAP
870007115	MULTI FIX DP2 2A	2 FAP9A 1/2 BSP
870007116	MULTI FIX DP2 2A	2 FAP9A 3/8 BSP
870007215	MULTI MOBILE DP2 2A	2 FAP9A 1/2 BSP
870007216	MULTI MOBILE DP2 2A	2 FAP9A 3/8 BSP

MultiCoupling spare parts (couplings not included)	
Code	Name
806000344	MULTI FIX EMPTY DP2 2A-1EC
806000345	MULTI MOBILE EMPTY DP2 2A-1EC
815606266	CAP FIX MULTICOUPLING DP 94x70
815606267	PARKING STATION MOBILE MULTICOUPLING DP 94x70
815701083	SPARE KIT LEVER GROUP DP 130x87

Custom configurations available upon request

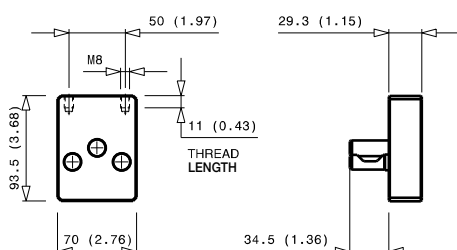
Fixed and mobile multicoupling

1,3 Kg and 0,6 Kg

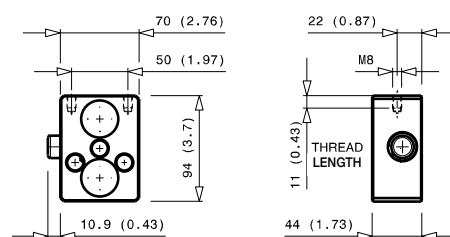


Dimensions in millimeters (inch)

Cap for fixed multicoupling 0,5 Kg



Parking station for mobile multicoupling 0,6 Kg



DP2 2A-2EC V04

Previous description	Max. Resistance	FAP9 (A)	FAP13 (B)	FAP15 (C)	FAP17 (D)	FAP21 (E)	FAP30 (G)
Body size		3/8"	1/2"	5/8"	3/4"	1"	1-1/2"
DP2-9L	8000 N	2	A				

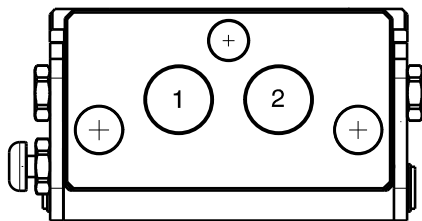


DRAWING



CONFIGURATIONS

Possible configurations		
Pos	Coupling size	Predisposition for electrical connector
1	FAP9AZN	YES
2	FAP9AZN	YES



MultiCoupling (couplings included)		
Code	Name	Description
870008022	MULTI COMPLETE DP2 2A V04*	2 FAP9A 1/2 BSP - CAP
870008122	MULTI FIX DP2 2A V04*	2 FAP9A 1/2 BSP
870008222	MULTI MOBILE DP2 2A V04*	2 FAP9A 1/2 BSP

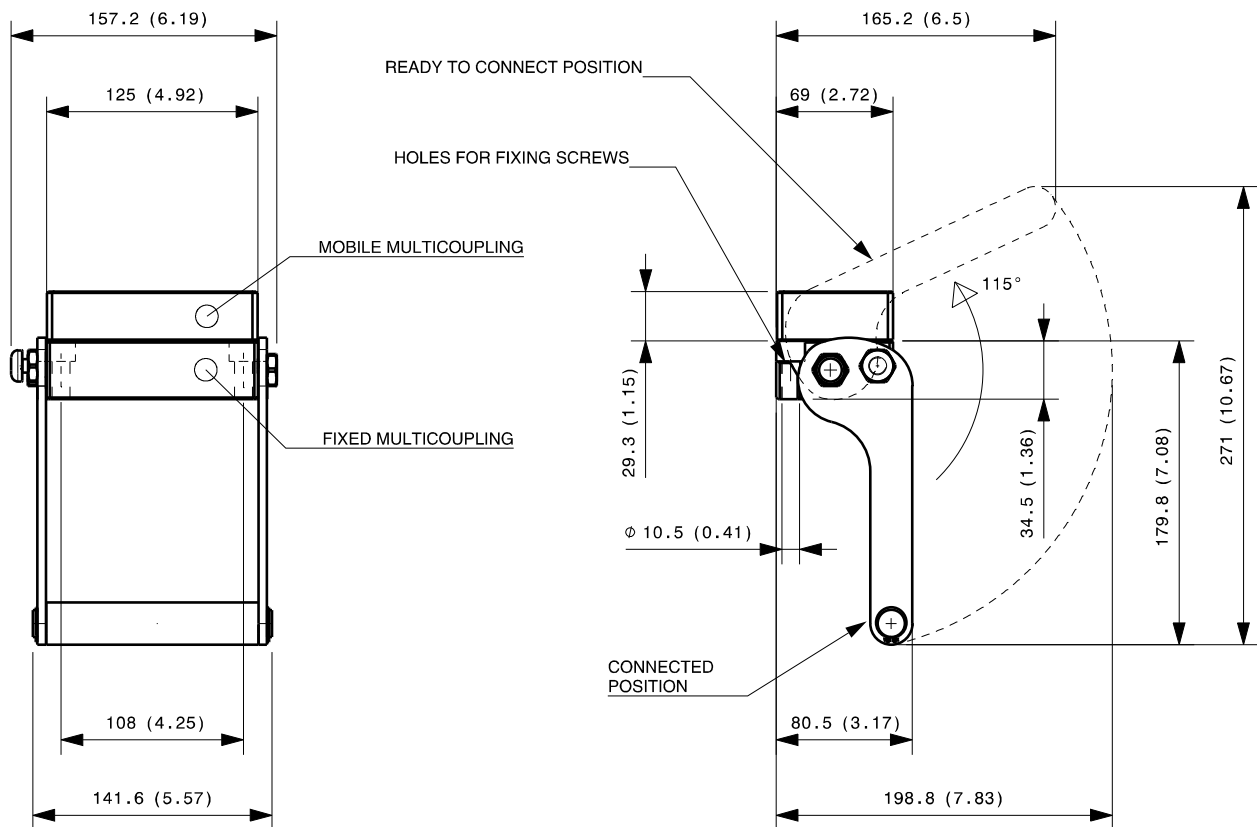
* V04 = it differs from DP2 2A standard because it is longitudinal and has a different angle lever

MultiCoupling spare parts (couplings not included)	
Code	Name
806000410	MULTI FIX EMPTY DP2 2A-2EC V04*
806000411	MULTI MOBILE EMPTY DP2 2A-2EC V04*
815606310	CAP FIX MULTICOUPLING DP 125x69
815606311	PARKING STATION MOBILE MULTICOUPLING DP 125X69
815701215	SPARE KIT LEVER GROUP DP 150x142

* V04 = it differs from DP2 2A standard because it is longitudinal and has a different angle lever

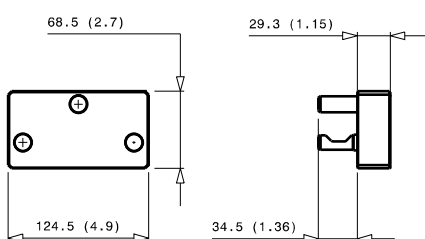
Fixed and mobile multicoupling

1,7 Kg and 0,7 Kg

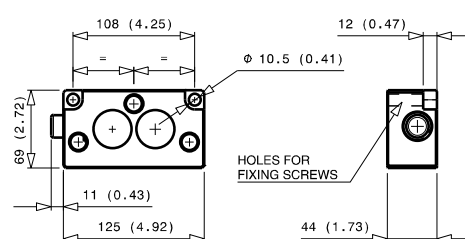


Dimensions in millimeters (inch)

Cap for fixed multicoupling 0,7 Kg



Parking station for mobile multicoupling 0,9 Kg



DP2 2B-1EC

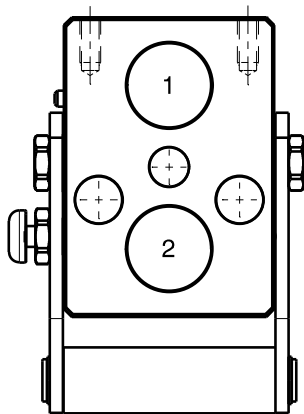
Previous description	Max. Resistance	FAP9 (A)	FAP13 (B)	FAP15 (C)	FAP17 (D)	FAP21 (E)	FAP30 (G)
Body size		3/8"	1/2"	5/8"	3/4"	1"	1-1/2"
DP2-13ZN	12000 N		2				



DRAWING



CONFIGURATIONS



Possible configurations		
Pos	Coupling size	Predisposition for electrical connector
1	FAP13ZN	YES
2	FAP13ZN	-

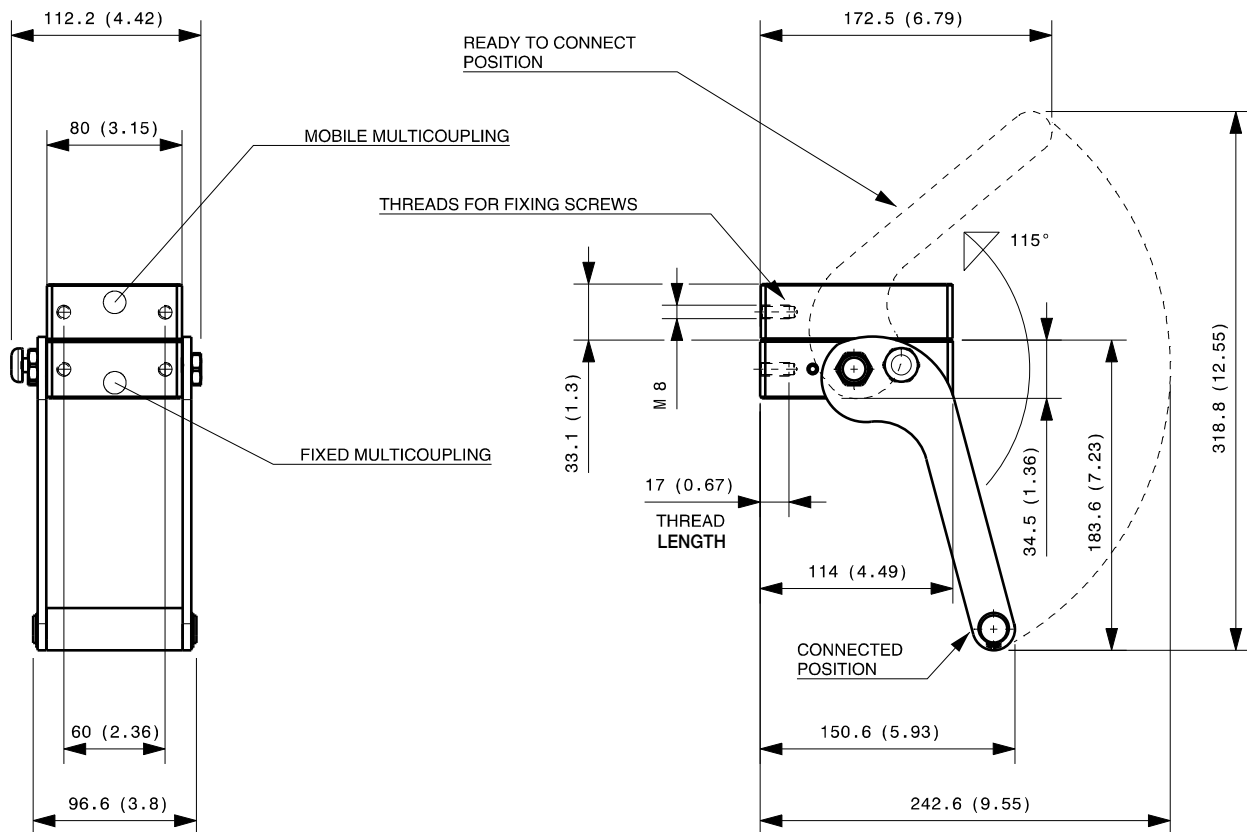
MultiCoupling (couplings included)		
Code	Name	Description
870008016	MULTI COMPLETE DP2 2B	2 FAP13 3/4 BSP - CAP
870008019	MULTI COMPLETE DP2 2B	2 FAP13 1/2 BSP - CAP
870008119	MULTI FIX DP2 2B	2 FAP13 1/2 BSP
870008219	MULTI MOBILE DP2 2B	2 FAP13 1/2 BSP
870008216	MULTI MOBILE DP2 2B	2 FAP13 3/4 BSP

MultiCoupling spare parts (couplings not included)	
Code	Name
806000346	MULTI FIX EMPTY DP2 2B-1EC
806000347	MULTI MOBILE EMPTY DP2 2B-1EC
815606270	CAP FIX MULTICOUPLING DP 114x80
815606271	PARKING STATION MOBILE MULTICOUPLING DP 114x80
815701082	SPARE KIT LEVER GROUP DP 170x97

Custom configurations available upon request

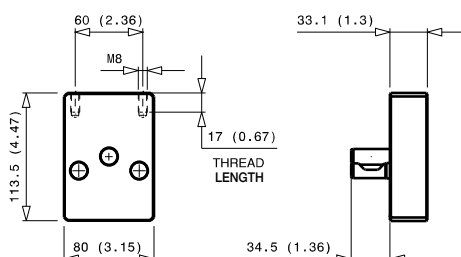
Fixed and mobile multicoupling

1,6 Kg and 0,8 Kg

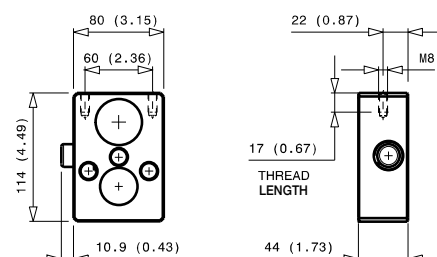


Dimensions in millimeters (inch)

Cap for fixed multicoupling 0,8 Kg



Parking station for mobile multicoupling 0,8 Kg



DP2 2B-2EC V04

Previous description	Max. Resistance Body size	FAP9 (A) 3/8"	FAP13 (B) 1/2"	FAP15 (C) 5/8"	FAP17 (D) 3/4"	FAP21 (E) 1"	FAP30 (G) 1-1/2"
DP2-13L	12000 N		2				

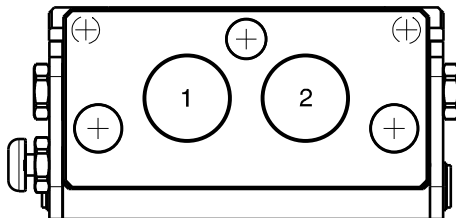


DRAWING



CONFIGURATIONS

Possible configurations		
Pos	Coupling size	Predisposition for electrical connector
1	FAP13ZN	YES
2	FAP13ZN	YES



MultiCoupling (couplings included)		
Code	Name	Description
870008012	MULTI COMPLETE DP2 2B V04*	2 FAP13 1/2 BSP - CAP
870008112	MULTI FIX DP2 2B V04*	2 FAP13 1/2 BSP
870008121	MULTI FIX DP2 2B V05**	2 FAP13 3/4 BSP
870008212	MULTI MOBILE DP2 2B V04*	2 FAP13 1/2 BSP
870008221	MULTI MOBILE DP2 2B V04*	2 FAP13 3/4 BSP

* V04 = it differs from DP2 2B standard because is longitudinal and has a different angle lever (compact version)

** V05 = it differs from DP2 2B standard because is longitudinal

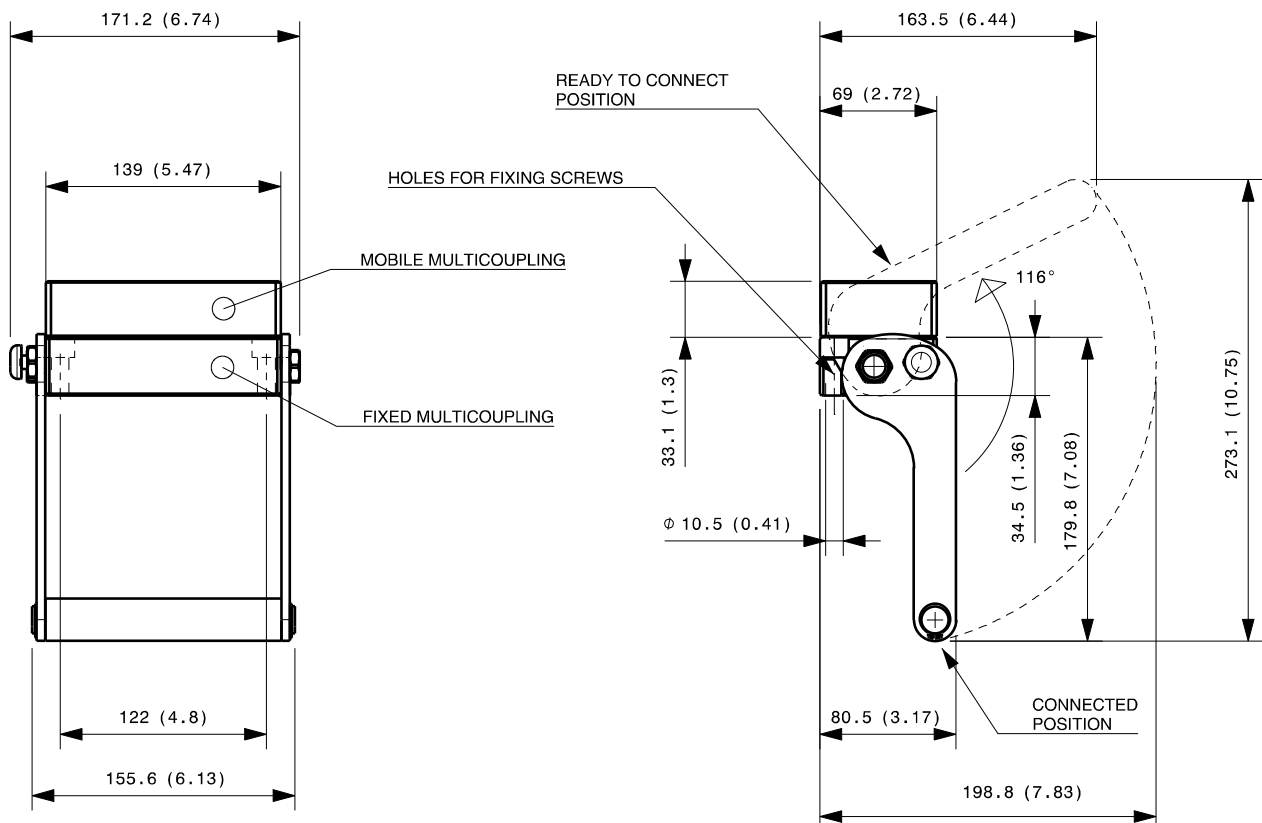
MultiCoupling spare parts (couplings not included)	
Code	Name
806000368	MULTI FIX EMPTY DP2 2B-2EC V04*
806000402	MULTI FIX EMPTY DP2 2B-2EC V05**
806000369	MULTI MOBILE EMPTY DP2 2B-2EC V04*
815606240	CAP FIX MULTICOUPLING DP 139x69
815606309	PARKING STATION MOBILE MULTICOUPLING DP 139x69
815701088	SPARE KIT LEVER GROUP DP 150x156

* V04 = it differs from DP2 2B standard because is longitudinal and has a different angle lever (compact version)

** V05 = it differs from DP2 2B standard because is longitudinal

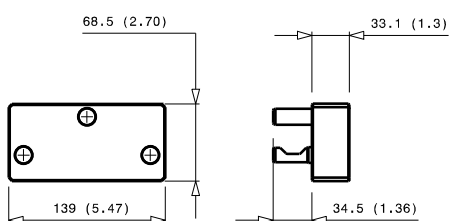
Fixed and mobile multicoupling

1,8 Kg and 0,8 Kg

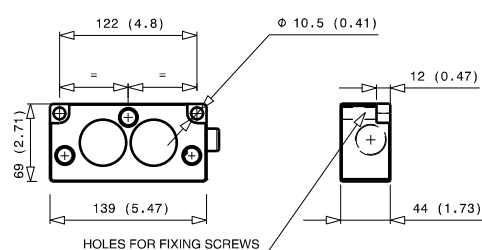


Dimensions in millimeters (inch)

Cap for fixed multicoupling 0,8 Kg



Parking station for mobile multicoupling 0,8 Kg



DP2 2C

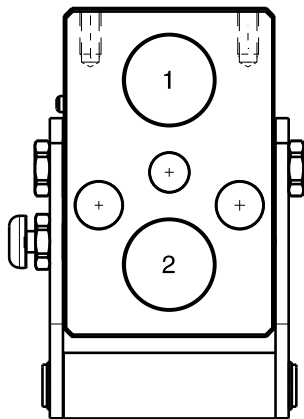
Previous description	Max. Resistance Body size	FAP9 (A) 3/8"	FAP13 (B) 1/2"	FAP15 (C) 5/8"	FAP17 (D) 3/4"	FAP21 (E) 1"	FAP30 (G) 1-1/2"
DP2-15	15500 N			2			



DRAWING



CONFIGURATIONS



Possible configurations		
Pos	Coupling size	Predisposition for electrical connector
1	FAP15ZN	-
2	FAP15ZN	-

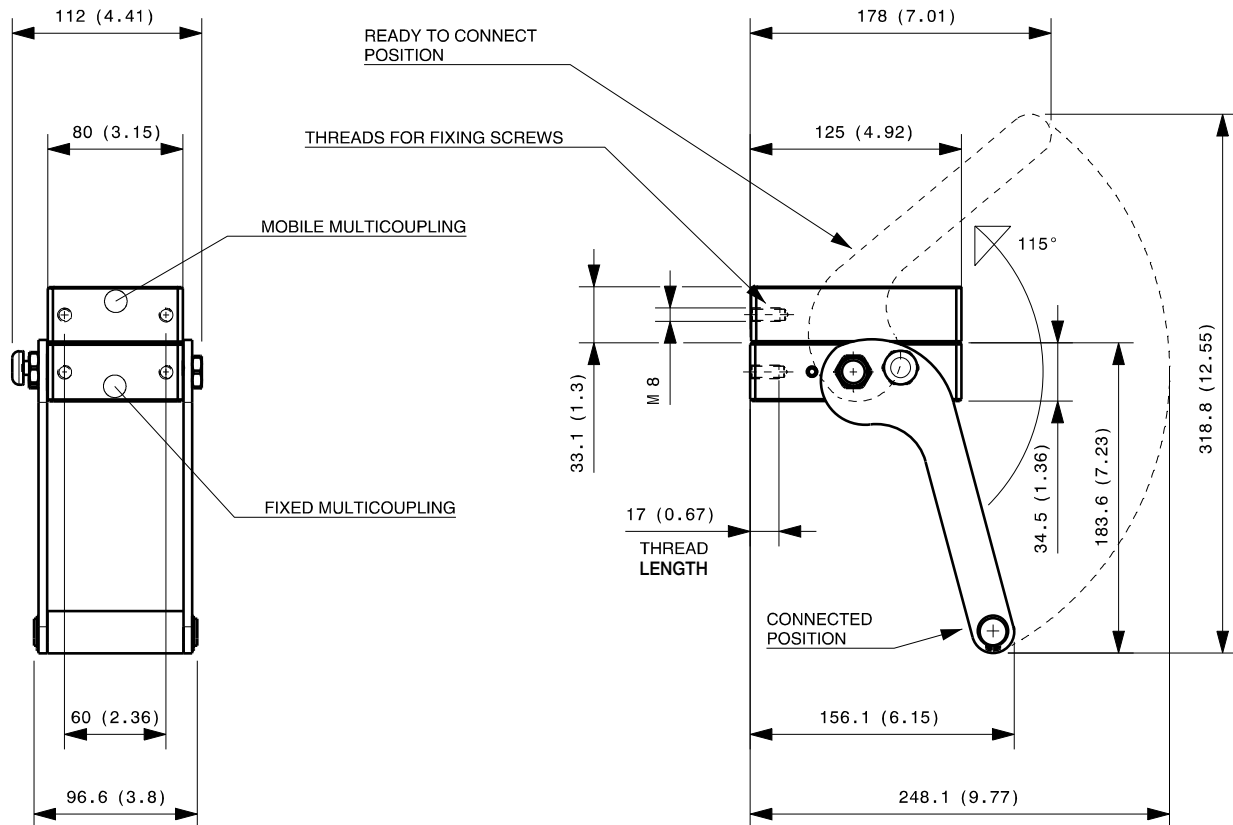
MultiCoupling (couplings included)		
Code	Name	Description
870008018	MULTI COMPLETE DP2 2C	2 FAP15 3/4 BSP - CAP
870008118	MULTI FIX DP2 2C	2 FAP15 3/4 BSP
870008218	MULTI MOBILE DP2 2C	2 FAP15 3/4 BSP

MultiCoupling spare parts (couplings not included)	
Code	Name
806000308	MULTI FIX EMPTY DP2 2C
806000309	MULTI MOBILE EMPTY DP2 2C
815606238	CAP FIX MULTICOUPLING DP 125x80
815606239	PARKING STATION MOBILE MULTICOUPLING DP 125x80
815701082	SPARE KIT LEVER GROUP DP 170x97

Custom configurations available upon request

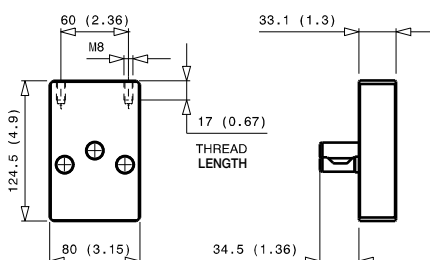
Fixed and mobile multicoupling

1,6 Kg and 0,8 Kg

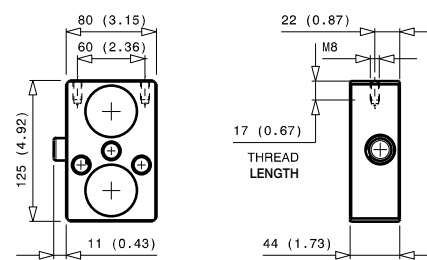


Dimensions in millimeters (inch)

Cap for fixed multicoupling 0,8 Kg



Parking station for mobile multicoupling 0,8 Kg

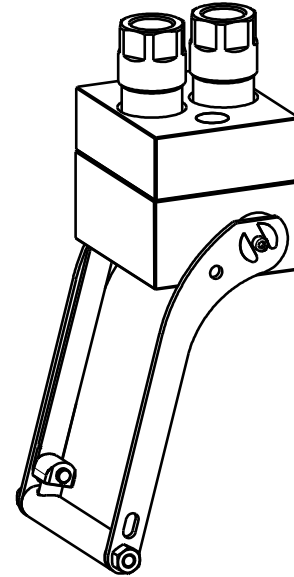


DP2 2D

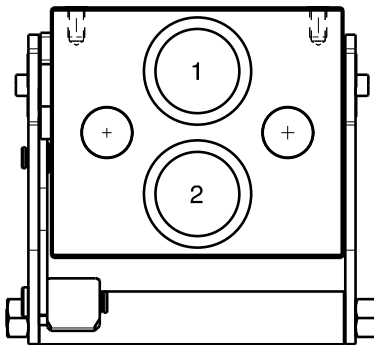
Previous description	Max. Resistance Body size	FAP9 (A) 3/8"	FAP13 (B) 1/2"	FAP15 (C) 5/8"	FAP17 (D) 3/4"	FAP21 (E) 1"	FAP30 (G) 1-1/2"
DP2-17ZN	18000 N				2		



DRAWING



CONFIGURATIONS



Possible configurations		
Pos	Coupling size	Predisposition for electrical connector
1	FAP17ZN	-
2	FAP17ZN	-

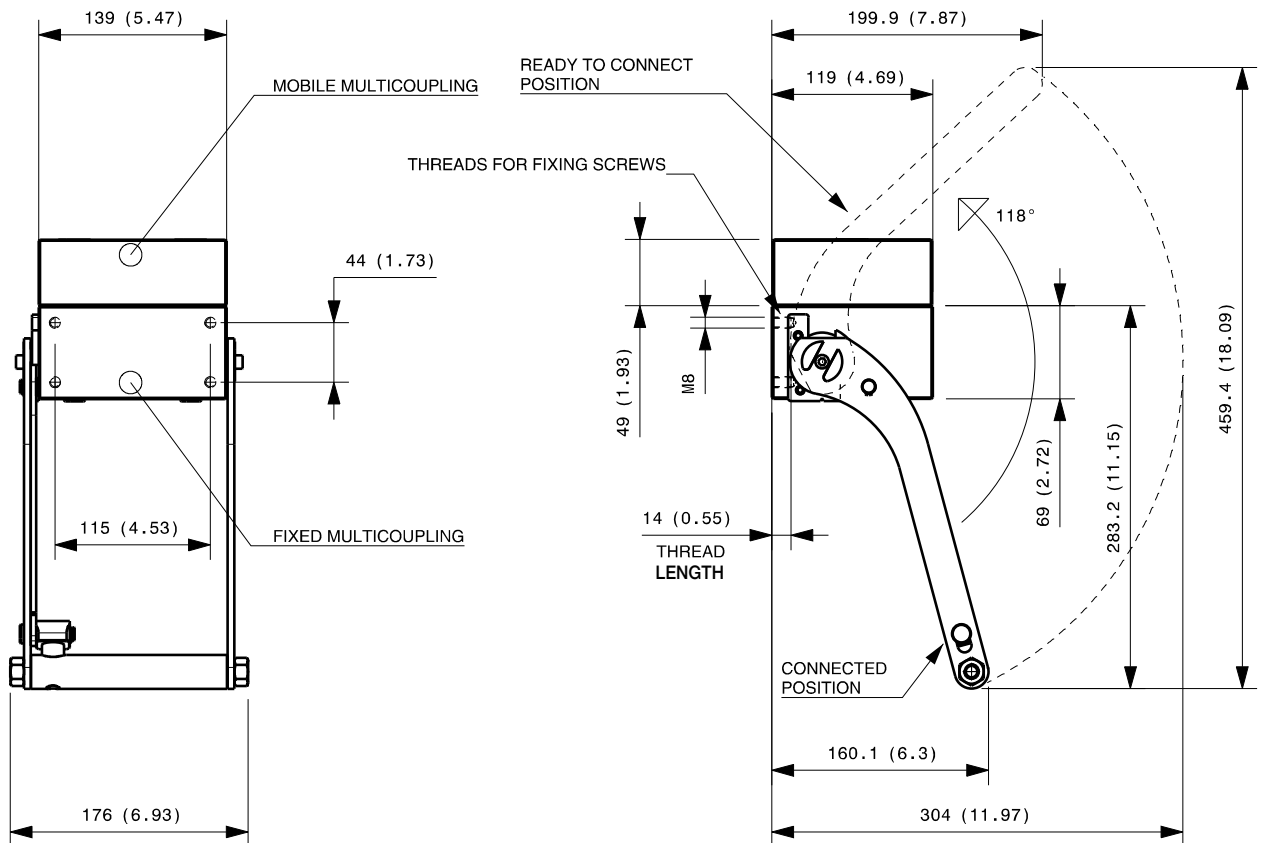
MultiCoupling (couplings included)		
Code	Name	Description
870008029	MULTI COMPLETE DP2 2D	2 FAP17 3/4 BSP - CAP
870008017	MULTI COMPLETE DP2 2D	2 FAP17 1 BSP - CAP
870008113	MULTI FIX DP2 2D	2 FAP17 1 NPT
870008117	MULTI FIX DP2 2D	2 FAP17 1 BSP
870008124	MULTI FIX DP2 2D	1 FAP17 3/4 SAE - 1 FAP17 1 SAE
870008126	MULTI FIX DP2 2D	2 FAP17 3/4 SAE
870008129	MULTI FIX DP2 2D	2 FAP17 3/4 BSP
870008213	MULTI MOBILE DP2 2D	2 FAP17 1 NPT
870008217	MULTI MOBILE DP2 2D	2 FAP17 1 BSP
870008224	MULTI MOBILE DP2 2D	1 FAP17 3/4 SAE - 1 FAP17 1 SAE
870008226	MULTI MOBILE DP2 2D	2 FAP17 3/4 SAE
870008229	MULTI MOBILE DP2 2D	2 FAP17 3/4 BSP

MultiCoupling spare parts (couplings not included)	
Code	Name
806000348	MULTI FIX EMPTY DP2 2D
806000349	MULTI MOBILE EMPTY DP2 2D
815606272	CAP FIX MULTICOUPLING DP 139x118
815606273	PARKING STATION MOBILE MULTICOUPLING DP 139x120
815701084	SPARE KIT LEVER GROUP DP 250x176

Custom configurations
available upon request

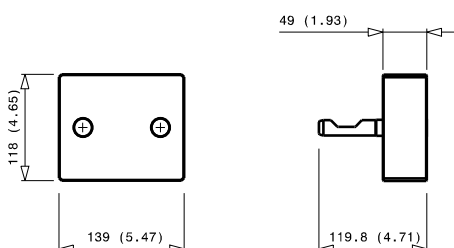
Fixed and mobile multicoupling

3,9 Kg and 2,1 Kg

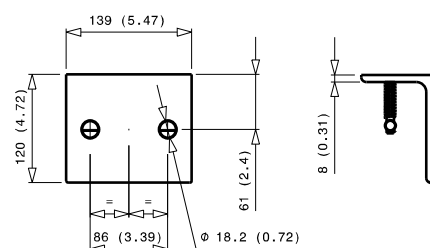


Dimensions in millimeters (inch)

Cap for fixed multicoupling 2,3 Kg



Parking station for mobile multicoupling 1,8 Kg



DP2 1A-1B

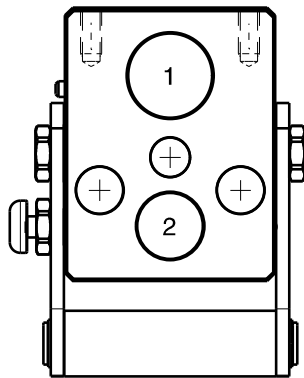
Previous description	Max. Resistance	FAP9 (A)	FAP13 (B)	FAP15 (C)	FAP17 (D)	FAP21 (E)	FAP30 (G)
Body size		3/8"	1/2"	5/8"	3/4"	1"	1-1/2"
DPT2ZN	10000 N	1 D	1				



DRAWING



CONFIGURATIONS



Possible configurations		
Pos	Coupling size	Predisposition for electrical connector
1	FAP13ZN	-
2	FAP9DZN	-

MultiCoupling (couplings included)		
Code	Name	Description
870009014	MULTI COMPLETE DP2 1A-1B	1 FAP9D 3/8 BSP - 1 FAP13 1/2 BSP - CAP
870009114	MULTI FIX DP2 1A-1B	1 FAP9D 3/8 BSP - 1 FAP13 1/2 BSP
870009214	MULTI MOBILE DP2 1A-1B	1 FAP9D 3/8 BSP - 1 FAP13 1/2 BSP

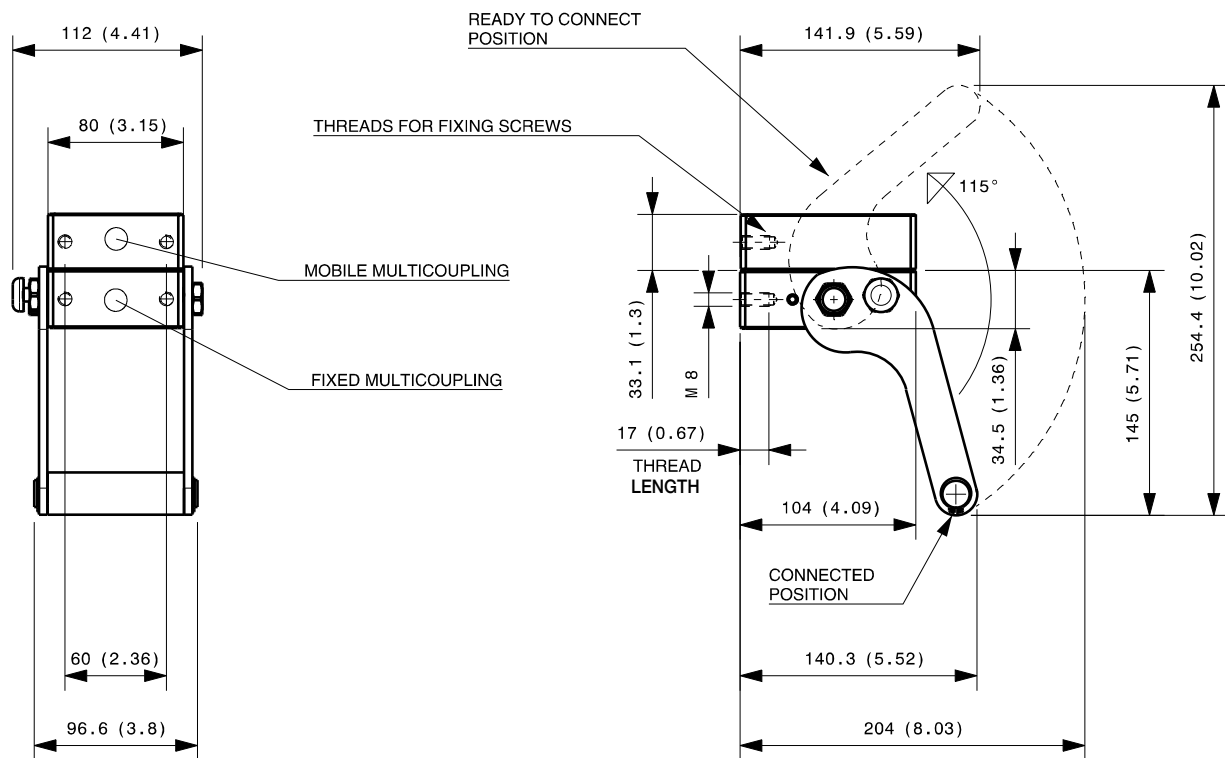
MultiCoupling spare parts (couplings not included)	
Code	Name
806000354	MULTI FIX EMPTY DP2 1A-1B
806000355	MULTI MOBILE EMPTY DP2 1A-1B
815606268	CAP FIX MULTICOUPLING DP 104x80
815606269	PARKING STATION MOBILE MULTICOUPLING DP 104x80
815701086	SPARE KIT LEVER GROUP DP 130x97

Custom configurations available upon request

Fixed and mobile multicoupling

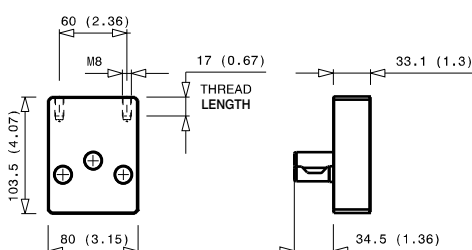
1,5 Kg and 0,8 Kg

DP

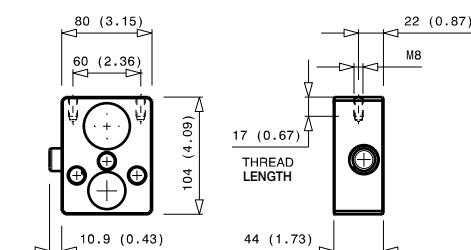


Dimensions in millimeters (inch)

Cap for fixed multicoupling 0,8 Kg



Parking station for mobile multicoupling 0,8 Kg

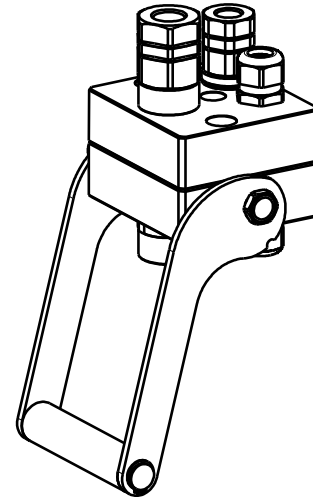


DP3 1A-1B-1EC

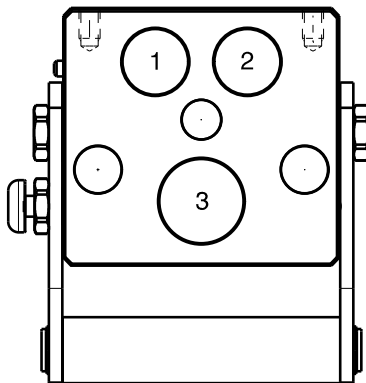
Previous description	Max. Resistance	FAP9 (A)	FAP13 (B)	FAP15 (C)	FAP17 (D)	FAP21 (E)	FAP30 (G)
Body size		3/8"	1/2"	5/8"	3/4"	1"	1-1/2"
DPT3ZN	10000 N	1 D	1				



DRAWING



CONFIGURATIONS



Possible configurations		
Pos	Coupling size	Predisposition for electrical connector
1	FAP9DZN	-
2	-	YES
3	FAP13ZN	-

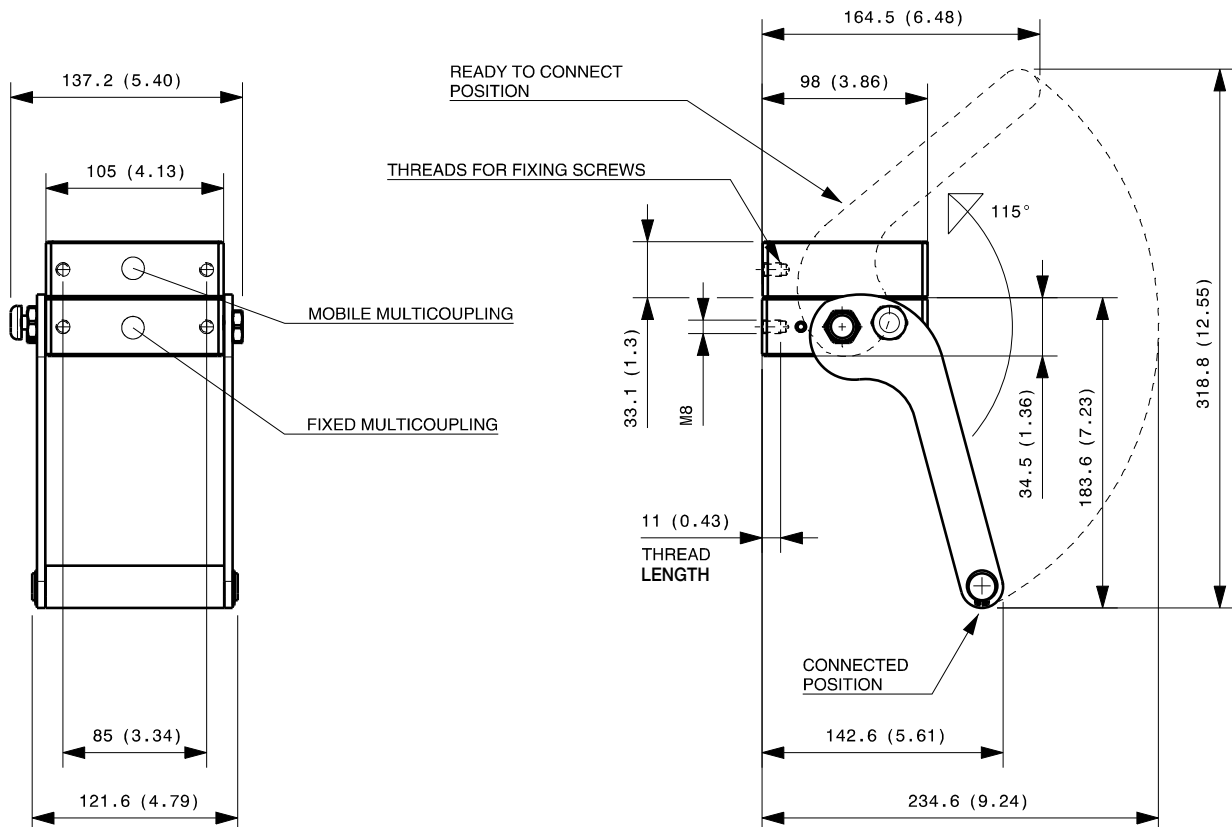
MultiCoupling (couplings included)		
Code	Name	Description
870009015	MULTI COMPLETE DP3 1A-1B-1EC	1 FAP9D 3/8 BSP - 1 FAP13ZN 1/2 BSP - 1EC4 - CAP
870009115	MULTI FIX DP3 1A-1B-1EC	1 FAP9D 3/8 BSP - 1 FAP13ZN 1/2 BSP - 1EC4
870009215	MULTI MOBILE DP3 1A-1B-1EC	1 FAP9D 3/8 BSP - 1 FAP13ZN 1/2 BSP - 1EC4

MultiCoupling spare parts (couplings not included)	
Code	Name
806000356	MULTI FIX EMPTY DP3 1A-1B-1EC
806000357	MULTI MOBILE EMPTY DP3 1A-1B-1EC
815606276	CAP FIX MULTICOUPLING DP 105x98
815606277	PARKING STATION MOBILE MULTICOUPLING DP 105x98
815701081	SPARE KIT LEVER GROUP DP 170x121

Custom configurations available upon request

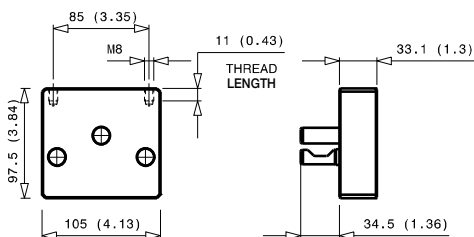
Fixed and mobile multicoupling

1,5 Kg and 0,8 Kg

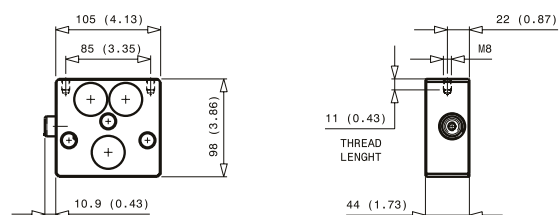


Dimensions in millimeters (inch)

Cap for fixed multicoupling 0,8 Kg



Parking station for mobile multicoupling 3,3 Kg



DP3 1A-2C-1EC V04

Previous description	Max. Resistance	FAP9 (A)	FAP13 (B)	FAP15 (C)	FAP17 (D)	FAP21 (E)	FAP30 (G)
Body size	10000 N	3/8"	1/2"	5/8"	3/4"	1"	1-1/2"
		1	D	2			

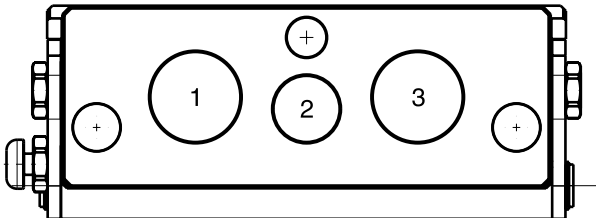


DRAWING



CONFIGURATIONS

Possible configurations		
Pos	Coupling size	Predisposition for electrical connector
1	FAP15	-
2	FAP9-D	YES
3	FAP15	-



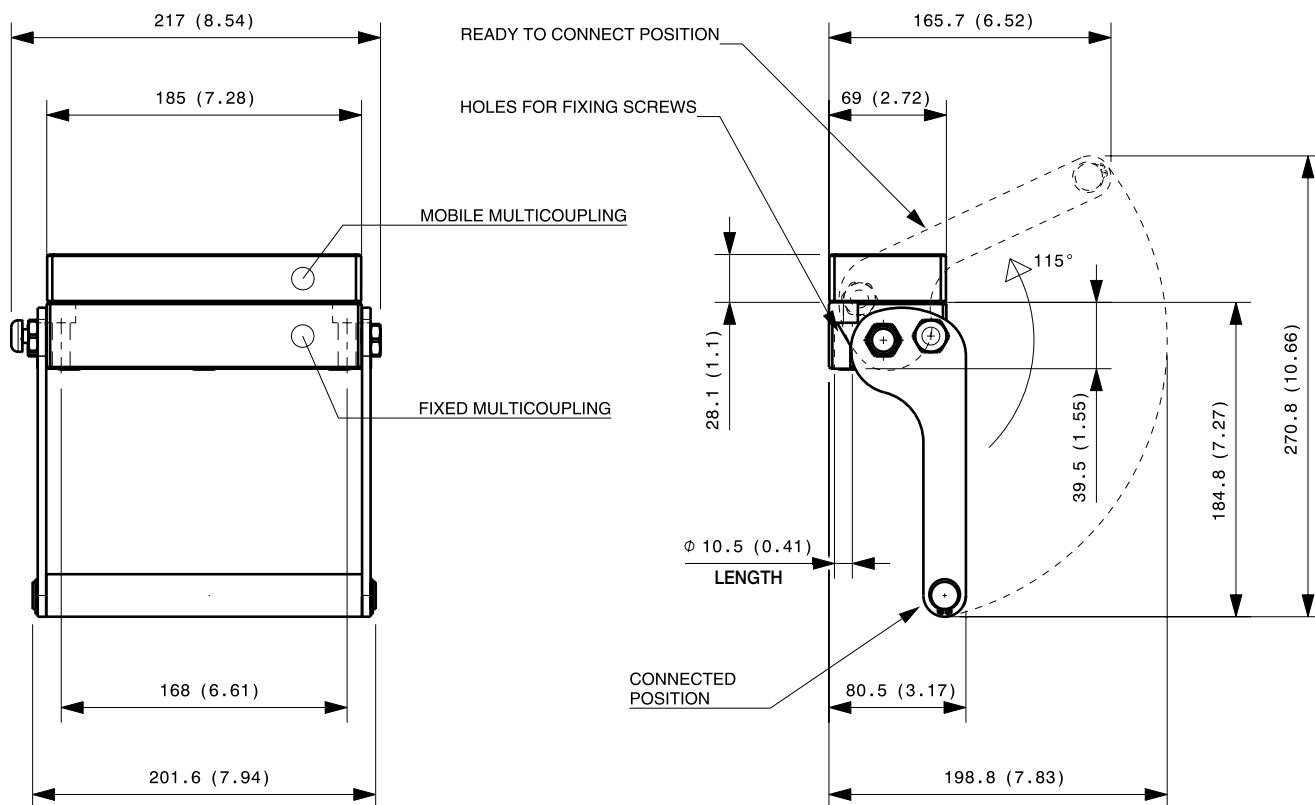
MultiCoupling (couplings included)		
Code	Name	Description
870008027	MULTI COMPLETE DP3 1A-2C V04	1 FAP9D 3/8 BSP - 2 FAP15 3/4 BSP - CAP
870008127	MULTI FIX DP3 1A-2C V04	1 FAP9D 3/8 BSP - 2 FAP15 3/4 BSP
870008130	MULTI FIX DP3 1A-2C V04	1 FAP9D 1/2 BSP - 2 FAP15 3/4 BSP
870008227	MULTI MOBILE DP3 1A-2C V04	1 FAP9D 3/8 BSP - 2 FAP15 3/4 BSP
870008230	MULTI MOBILE DP3 1A-2C V04	1 FAP9D 1/2 BSP - 2 FAP15 3/4 BSP

MultiCoupling spare parts (couplings not included)	
Code	Name
806000416	MULTI FIX EMPTY DP3 1A-2C-1EC V04
806000417	MULTI MOBILE EMPTY DP3 1A-2C-1EC V04
815606314	CAP FIX MULTICOUPLING DP 185x69
815606315	PARKING STATION MOBILE MULTICOUPLING DP 185x69

Custom configurations available upon request

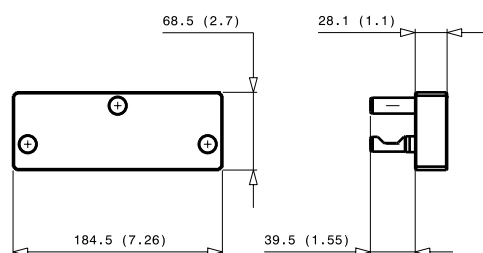
Fixed and mobile multicoupling

2,3 Kg and 0,9 Kg

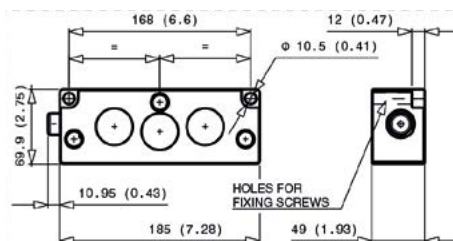


Dimensions in millimeters (inch)

Cap for fixed multicoupling 0,9 Kg



Parking station for mobile multicoupling 3,3 Kg

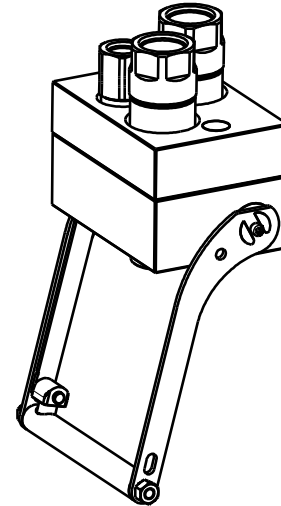


DP3 1C-2E

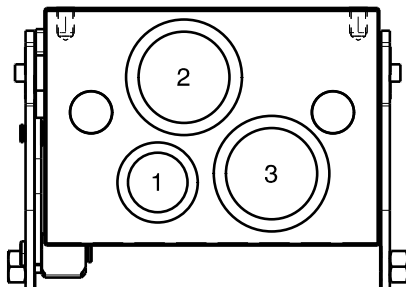
Previous description	Max. Resistance Body size	FAP9 (A) 3/8"	FAP13 (B) 1/2"	FAP15 (C) 5/8"	FAP17 (D) 3/4"	FAP21 (E) 1"	FAP30 (G) 1-1/2"
DP3GE	23000 N			1		2	



DRAWING



CONFIGURATIONS



Possible configurations		
Pos	Coupling size	Predisposition for electrical connector
1	FAP15ZN	-
2	FAP21ZN	-
3	FAP21ZN	-

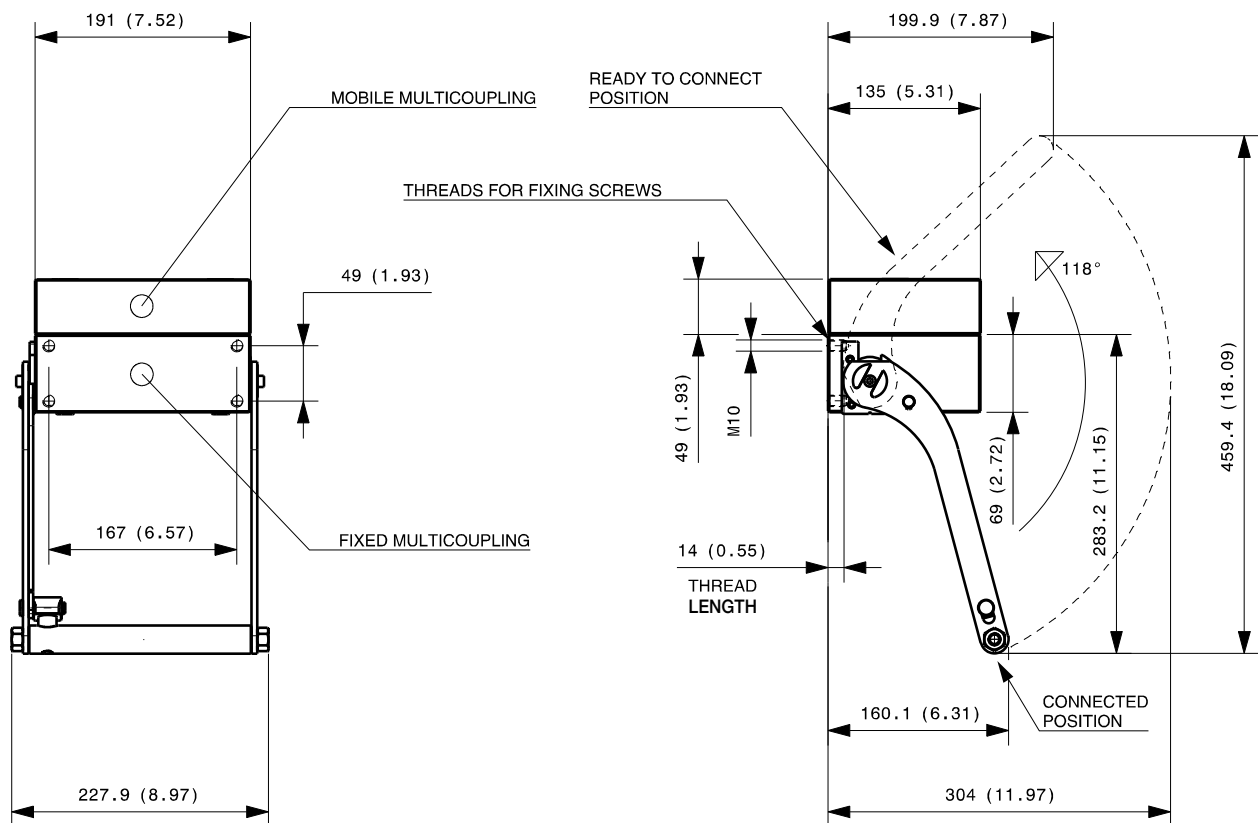
MultiCoupling (couplings included)		
Code	Name	Description
870015056	MULTI COMPLETE DP3 1C-2E	1 FAP15 3/4 BSP - 2 FAP21 1 BSP - CAP
870015088	MULTI COMPLETE DP3 1C-2E	1 FAP15 3/4 SAE - 2 FAP21 1-1/4 SAE - CAP
870015188	MULTI FIX DP3 1C-2E	1 FAP15 3/4 SAE - 2 FAP21 1-1/4 SAE
870015288	MULTI MOBILE DP3 1C-2E	1 FAP15 3/4 SAE - 2 FAP21 1-1/4 SAE

MultiCoupling spare parts (couplings not included)		
Code	Name	
806000392	MULTI FIX EMPTY DP3 1C-2E	
806000393	MULTI MOBILE EMPTY DP3 1C-2E	
815606300	CAP FIX MULTICOUPLING DP 191x135	
815606301	PARKING STATION MOBILE MULTICOUPLING DP 190x140	
815701089	SPARE KIT LEVER GROUP DP 250x228	

Custom configurations available upon request

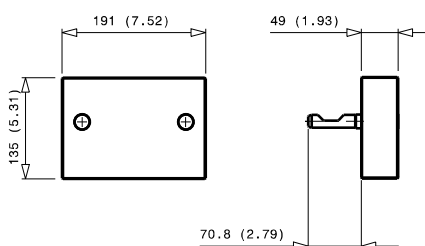
Fixed and mobile multicoupling

5,3 Kg and 2,8 Kg

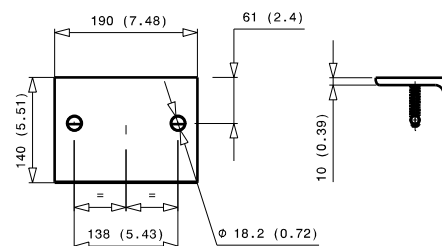


Dimensions in millimeters (inch)

Cap for fixed multicoupling 3,3 Kg



Parking station for mobile multicoupling 3,3 Kg



DP3 2A-1EC

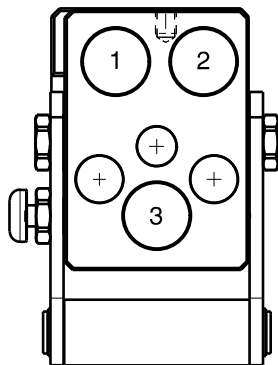
Previous description	Max. Resistance	FAP9 (A)	FAP13 (B)	FAP15 (C)	FAP17 (D)	FAP21 (E)	FAP30 (G)
Body size		3/8"	1/2"	5/8"	3/4"	1"	1-1/2"
DPJ3ZN	8000 N	2	A				



DRAWING



CONFIGURATIONS



Possible configurations		
Pos	Coupling size	Predisposition for electrical connector
1	FAP9AZN	-
2	-	YES
3	FAP9AZN	-

MultiCoupling (couplings included)		
Code	Name	Description
870009016	MULTI COMPLETE DP3 2A-1EC	2 FAP9A 3/8 BSP - 1EC6 - CAP
870009116	MULTI FIX DP3 2A-1EC	2 FAP9A 3/8 BSP - 1EC6
870009216	MULTI MOBILE DP3 2A-1EC	2 FAP9A 3/8 BSP - 1EC6

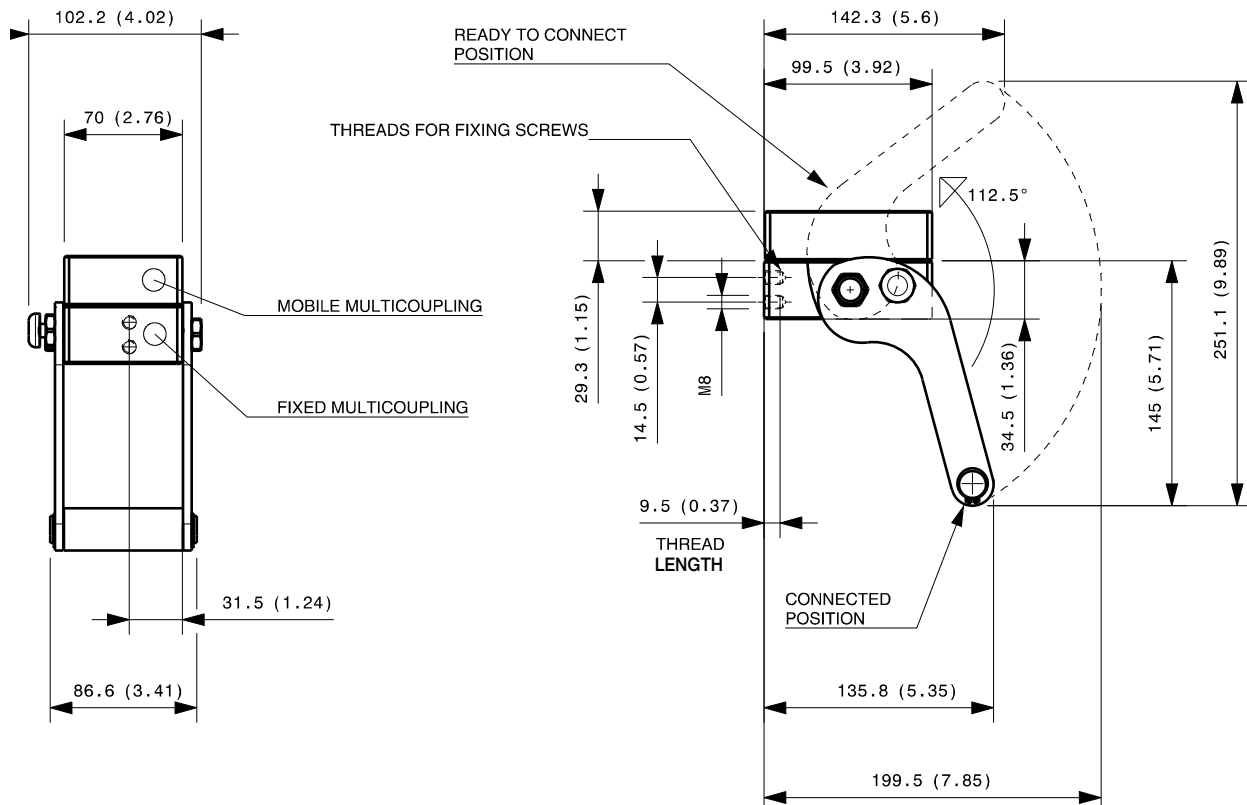
MultiCoupling spare parts (couplings not included)	
Code	Name
806000358	MULTI FIX EMPTY DP3 2A-1EC
806000359	MULTI MOBILE EMPTY DP3 2A-1EC
815606274	CAP FIX MULTICOUPLING DP 99x70
815606275	PARKING STATION MOBILE MULTICOUPLING DP 100x70
815701083	SPARE KIT LEVER GROUP DP 130x87

Custom configurations available upon request

Fixed and mobile multicoupling

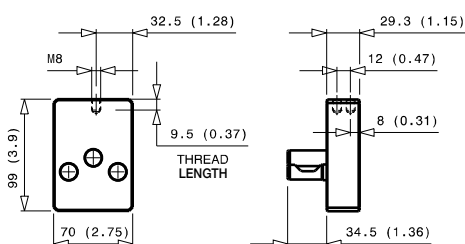
1,3 Kg and 0,6 Kg

DP

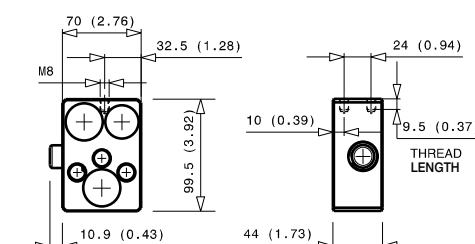


Dimensions in millimeters (inch)

Cap for fixed multicoupling 0,5 Kg



Parking station for mobile multicoupling 0,6 Kg

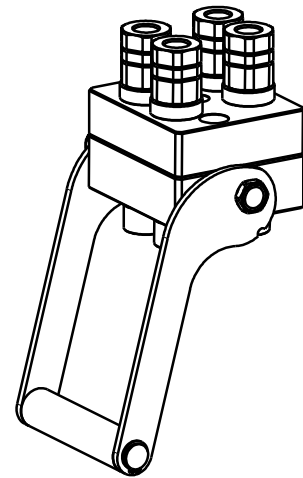


DP4 4A-2EC

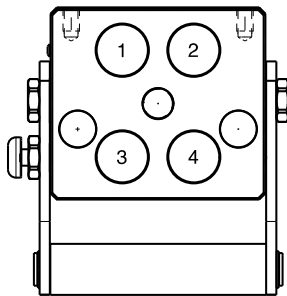
Previous description	Max. Resistance Body size	FAP9 (A) 3/8"	FAP13 (B) 1/2"	FAP15 (C) 5/8"	FAP17 (D) 3/4"	FAP21 (E) 1"	FAP30 (G) 1-1/2"
DP4-9ZN	17000 N	2	A				



DRAWING



CONFIGURATIONS



Possible configurations		
Pos	Coupling size	Predisposition for electrical connector
1	FAP9AZN	-
2	FAP9AZN	YES
3	FAP9AZN	YES
4	FAP9AZN	-

MultiCoupling (couplings included)		
Code	Name	Description
870011017	MULTI COMPLETE DP4 4A	4 FAP9A 3/8 BSP - CAP
870011020	MULTI COMPLETE DP4 4A	4 FAP9A 1/2 BSP - CAP
870011022	MULTI COMPLETE DP4 4A	4 FAP9A 1/4 BSP - CAP
870011027	MULTI COMPLETE DP4 4A	4 FAQ9A 3/8 BSP - CAP
870011028	MULTI COMPLETE DP4 4A	4 FAP9A 3/8 SAE - CAP
870011029	MULTI COMPLETE DP4 4A	4 FAP9A 1/2 NPT - CAP
870011124	MULTI FIX DP4 4A V02*	2 FAP9A 3/8 BSP - 2 FAP9A 1/2 BSP
870011117	MULTI FIX DP4 4A	4 FAP9A 3/8 BSP
870011120	MULTI FIX DP4 4A	4 FAP9A 1/2 BSP
870011122	MULTI FIX DP4 4A	4 FAP9A 1/4 BSP
870011123	MULTI FIX DP4 4A	2 FAP9A 3/8 BSP - 2 FAP9A 1/2 BSP
870011125	MULTI FIX DP4 2A	2 FAP9A 3/8 BSP
870011126	MULTI FIX DP4 4A	4 FAP9A 1/2 SAE
870011217	MULTI MOBILE DP4 4A	4 FAP9A 3/8 BSP
870011220	MULTI MOBILE DP4 4A	4 FAP9A 1/2 BSP
870011222	MULTI MOBILE DP4 4A	4 FAP9A 1/4 BSP
870011223	MULTI MOBILE DP4 4A	2 FAP9A 3/8 BSP - 2 FAP9A 1/2 BSP

* V02 = side button

MultiCoupling spare parts (couplings not included)	
Code	Name
806000264	MULTI FIX EMPTY DP4 4A-2EC
806000370	MULTI FIX EMPTY DP4 4A V02*
806000265	MULTI MOBILE EMPTY DP4 4A-2EC
815606280	CAP FIX MULTICOUPLING DP 105x94
815606281	PARKING STATION MOBILE MULTICOUPLING DP 105x94
815701081	SPARE KIT LEVER GROUP DP 170x121
UPON REQUEST	SPECIFIC KIT FOR V02 MODEL

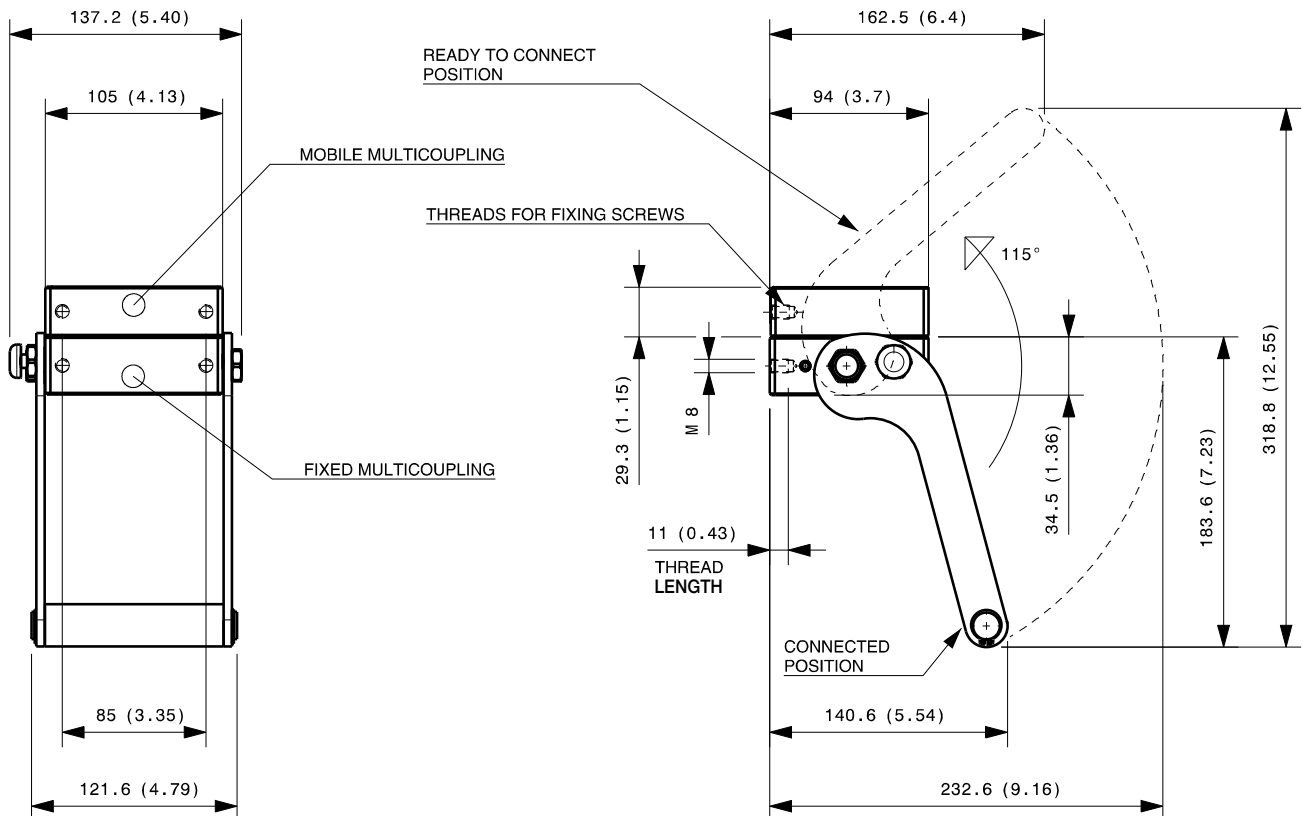
* V02 = side button

Custom configurations
available upon request

Fixed and mobile multicoupling

1,7 Kg and 0,7 Kg

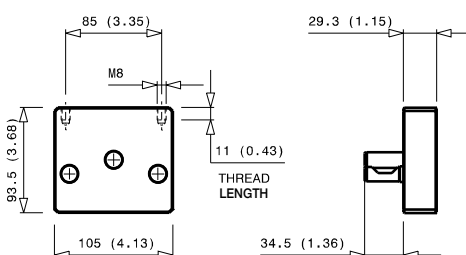
DP



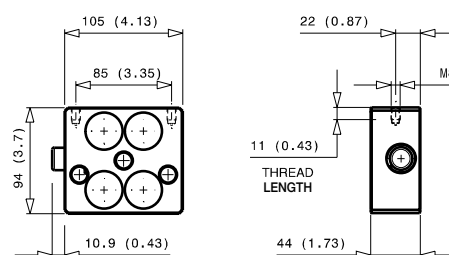
Available also model with button in other side,
in case of need ask the drawing to info@stucchi.it

Dimensions in millimeters (inch)

Cap for fixed multicoupling 0,7 Kg



Parking station for mobile multicoupling 0,9 Kg

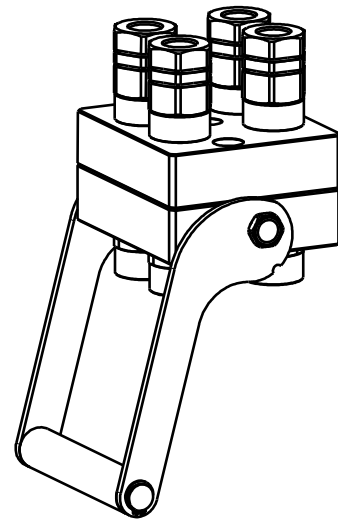


DP4 4B-2EC

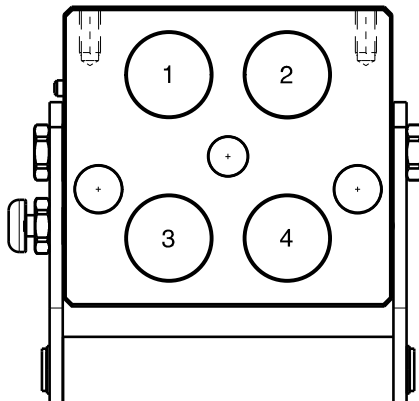
Previous description	Max. Resistance Body size	FAP9 (A) 3/8"	FAP13 (B) 1/2"	FAP15 (C) 5/8"	FAP17 (D) 3/4"	FAP21 (E) 1"	FAP30 (G) 1-1/2"
DP4-13ZN	17000 N		4				



DRAWING



CONFIGURATIONS



Possible configurations		
Pos	Coupling size	Predisposition for electrical connector
1	FAP13ZN	-
2	FAP13ZN	YES
3	FAP13ZN	YES
4	FAP13ZN	-

MultiCoupling (couplings included)

Code	Name	Description
870012007	MULTI COMPLETE DP4 4B	4 FAP13 3/4 BSP - CAP
870012008	MULTI COMPLETE DP4 4B	4 FAP13 1/2 BSP - CAP
870012009	MULTI COMPLETE DP4 4B	4 FAP13 1/2 NPT - CAP
870012107	MULTI FIX DP4 4B	4 FAP13 3/4 BSP
870012108	MULTI FIX DP4 4B	4 FAP13 1/2 BSP
870012109	MULTI FIX DP4 4B	4 FAP13 1/2 NPT
870012110	MULTI FIX DP4 2B 1EC	2 FAP13 1/2 BSP 1EC6
870012111	MULTI FIX DP4 2B	2 FAP13 1/2 BSP
870012207	MULTI MOBILE DP4 4B	4 FAP13 3/4 BSP
870012208	MULTI MOBILE DP4 4B	4 FAP13 1/2 BSP
870012209	MULTI MOBILE DP4 4B	4 FAP13 1/2 NPT
870012210	MULTI MOBILE DP4 2B 1EC	2 FAP13 1/2 BSP 1EC6

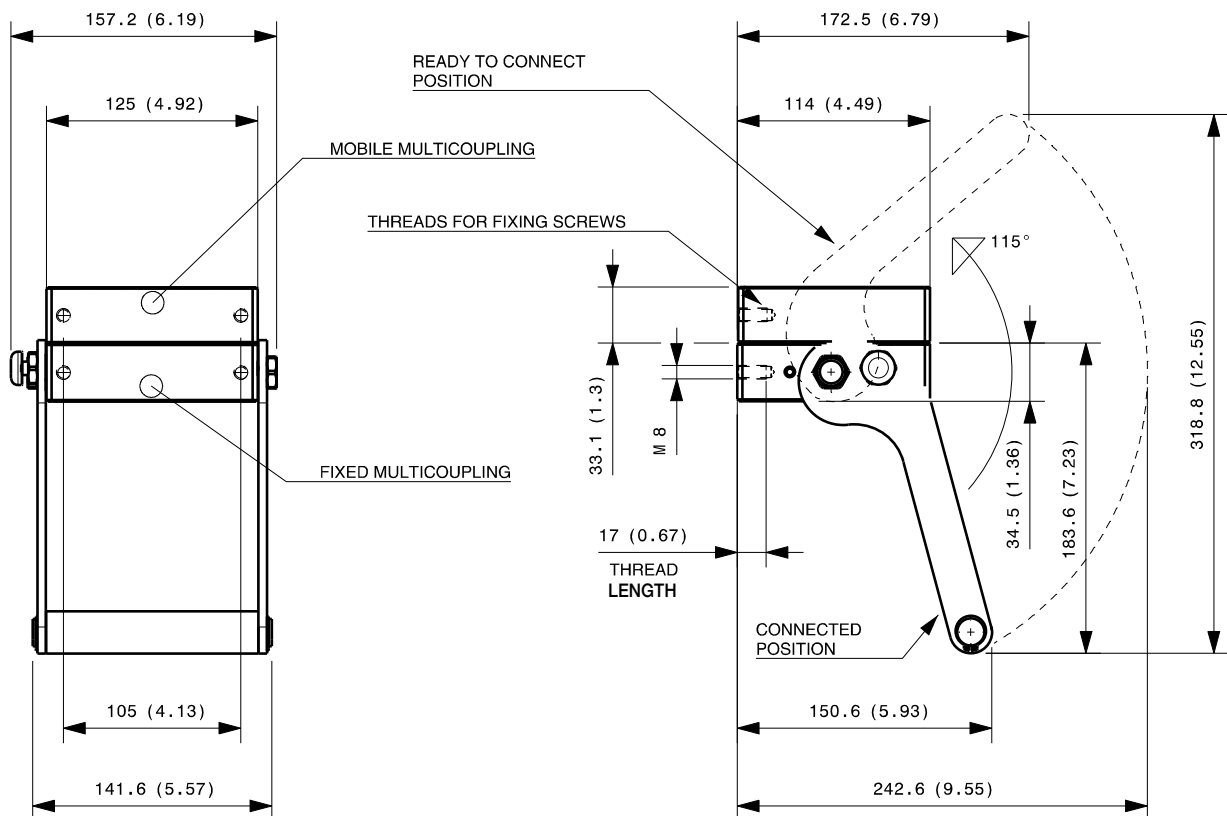
MultiCoupling spare parts (couplings not included)

Code	Name
806000350	MULTI FIX EMPTY DP4 4B-2EC
806000351	MULTI MOBILE EMPTY DP4 4B-2EC
815606282	CAP FIX MULTICOUPLING DP 125x114
815606283	PARKING STATION MOBILE MULTICOUPLING DP 125x114
815701085	SPARE KIT LEVER GROUP DP 170x142

Custom configurations
available upon request

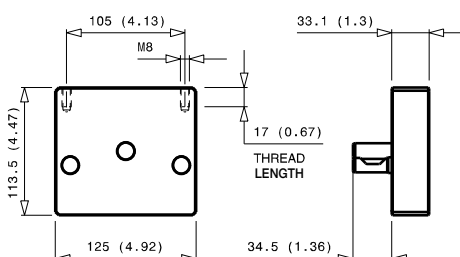
Fixed and mobile multicoupling

2,0 Kg and 1,0 Kg

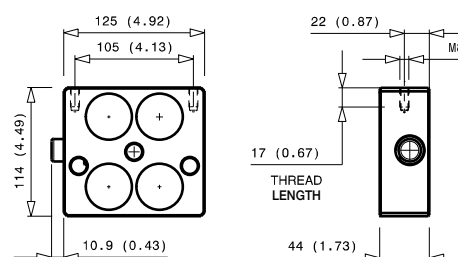


Dimensions in millimeters (inch)

Cap for fixed multicoupling 1,0 Kg



Parking station for mobile multicoupling 1,2 Kg



DP6 4A-2EC

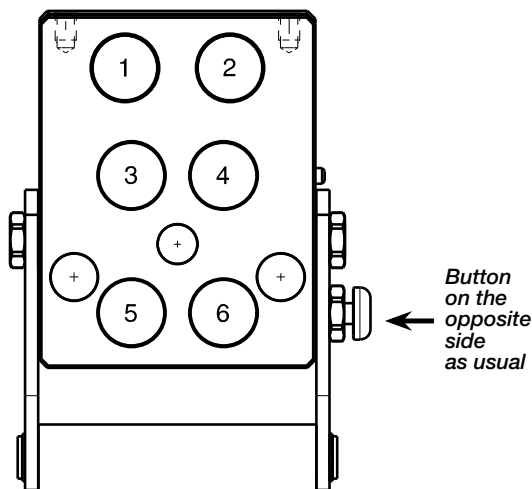
Previous description	Max. Resistance	FAP9 (A)	FAP13 (B)	FAP15 (C)	FAP17 (D)	FAP21 (E)	FAP30 (G)
Body size		3/8"	1/2"	5/8"	3/4"	1"	1-1/2"
DP6-9ZN	17000 N	4	A				



DRAWING



CONFIGURATIONS



Possible configurations		
Pos	Coupling size	Predisposition for electrical connector
1	-	YES
2	-	YES
3	FAP9AZN	-
4	FAP9AZN	-
5	FAP9AZN	-
6	FAP9AZN	-

MultiCoupling (couplings included)		
Code	Name	Description
870011021	MULTI COMPLETE DP6 4A	2 FAP9A 3/8 BSP - 2 FAP9A 1/2 BSP - CAP
870011121	MULTI FIX DP6 4A	2 FAP9A 3/8 BSP - 2 FAP9A 1/2 BSP
870011221	MULTI MOBILE DP6 4A	2 FAP9A 3/8 BSP - 2 FAP9A 1/2 BSP

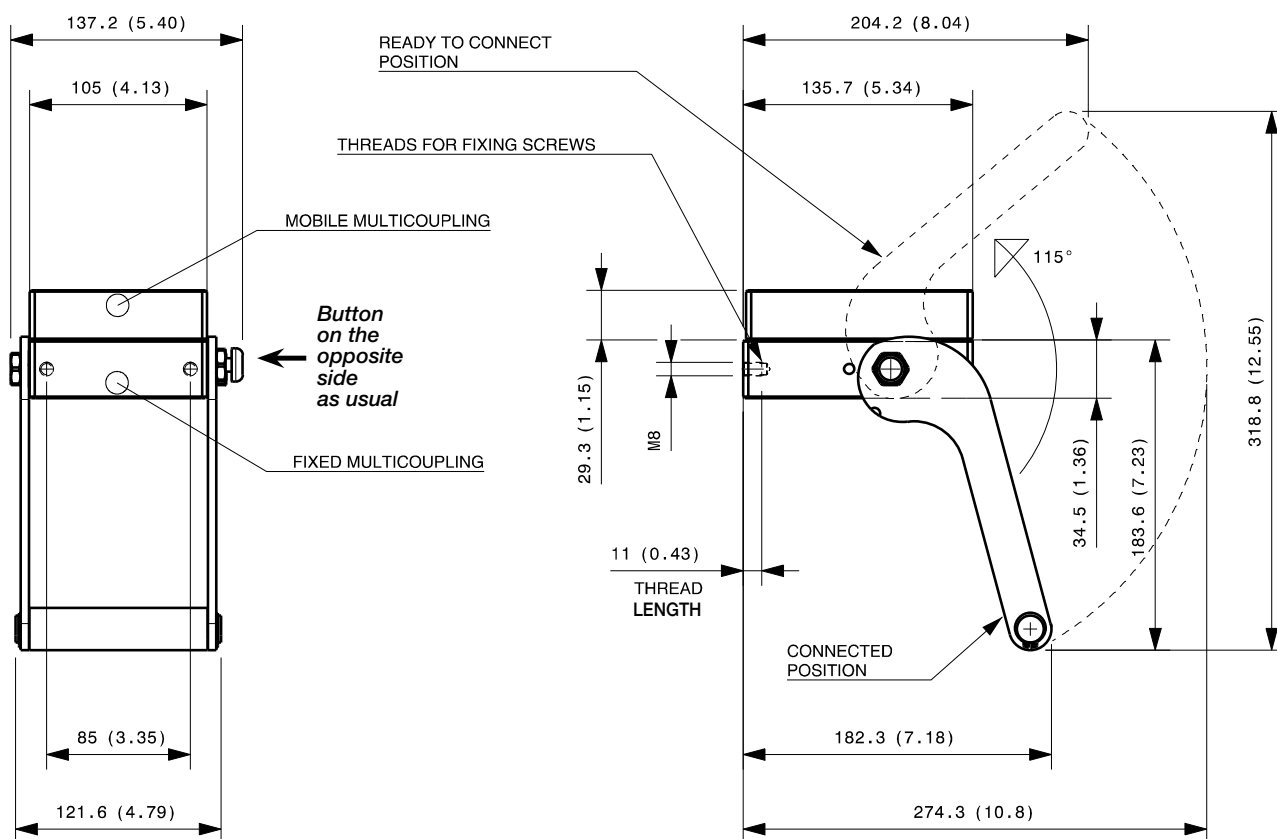
MultiCoupling spare parts (couplings not included)		
Code	Name	Description
806000352	MULTI FIX EMPTY DP6 4A-2EC	
806000353	MULTI MOBILE EMPTY DP6 4A-2EC	
815606292	CAP FIX MULTICOUPLING DP 134x105	
815606285	PARKING STATION MOBILE MULTICOUPLING DP 135x105	
815701081	SPARE KIT LEVER GROUP DP 170x121	
815701301	KIT BRACKET DP6 4A-2EC	

NOTE: This multicoupling model must be completed by adding the electrical connectors (pos 1, pos 2, cap), see page 'Electrical connectors' to get specific codes.

Custom configurations available upon request

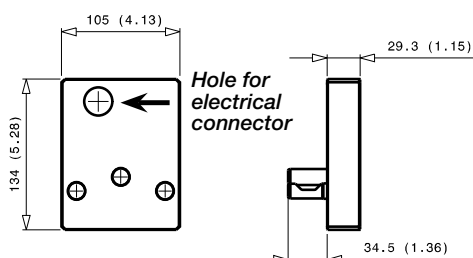
Fixed and mobile multicoupling

1,7 Kg and 1,0 Kg

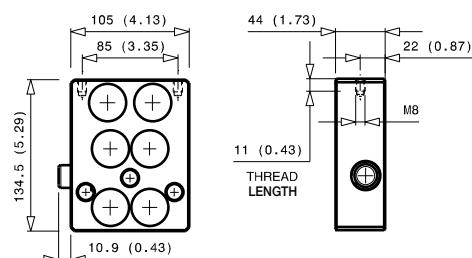


Dimensions in millimeters (inch)

Cap for fixed multicoupling 1,0 Kg



Parking station for mobile multicoupling 1,2 Kg

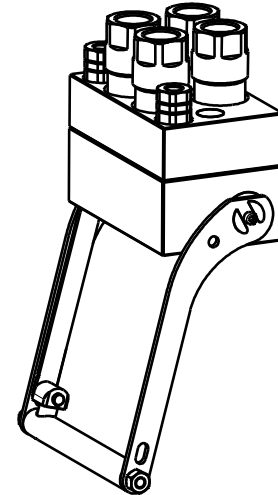


DP6 2A-4D-2EC

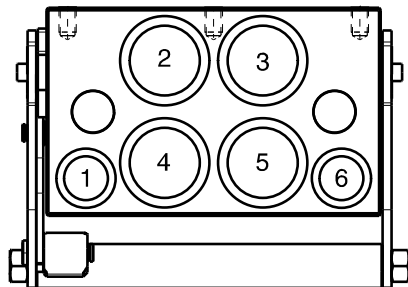
Previous description	Max. Resistance	FAP9 (A)	FAP13 (B)	FAP15 (C)	FAP17 (D)	FAP21 (E)	FAP30 (G)
Body size		3/8"	1/2"	5/8"	3/4"	1"	1-1/2"
DP6AD	23000 N	2	D		4		



DRAWING



CONFIGURATIONS



↑
Button
on the lever

Possible configurations		
Pos	Coupling size	Predisposition for electrical connector
1	FAP9DZN	YES *
2	FAP17ZN	-
3	FAP17ZN	-
4	FAP17ZN	-
5	FAP17ZN	-
6	FAP9DZN	YES *

* - Maximum hose diameter for FAP9: Ø16 (1.33),
in case of bigger hose use a longer adaptor.

MultiCoupling (couplings included)

Code	Name	Description
870008023	MULTI COMPLETE DP6 2A-4D	2 FAP9D 3/8 BSP - 4 FAP17 1 BSP - CAP
870008028	MULTI COMPLETE DP6 4D	4 FAP17 1 BSP - CAP
870008123	MULTI FIX DP6 2A-4D	2 FAP9D 3/8 BSP - 4 FAP17 1 BSP
870008223	MULTI MOBILE DP6 2A-4D	2 FAP9D 3/8 BSP - 4 FAP17 1 BSP

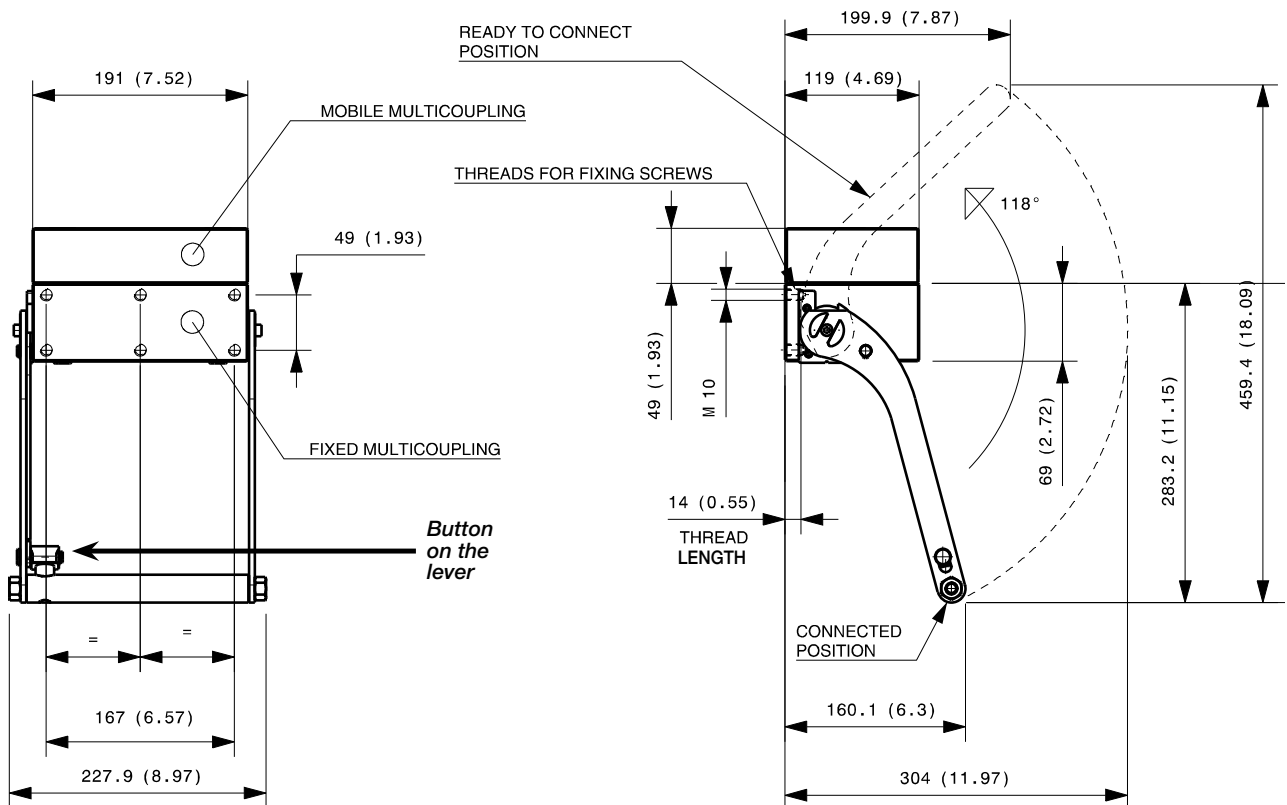
MultiCoupling spare parts (couplings not included)

Code	Name
806000382	MULTI FIX EMPTY DP6 2A-4D-2EC
806000383	MULTI MOBILE EMPTY DP6 2A-4D-2EC
815606290	CAP FIX MULTICOUPLING DP 191x118
815606291	PARKING STATION MOBILE MULTICOUPLING DP 190x120
815701089	SPARE KIT LEVER GROUP DP 250x228

Custom configurations
available upon request

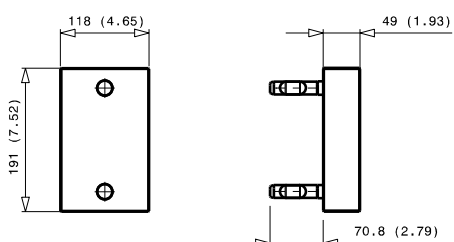
Fixed and mobile multicoupling

4,5 Kg and 2,2 Kg

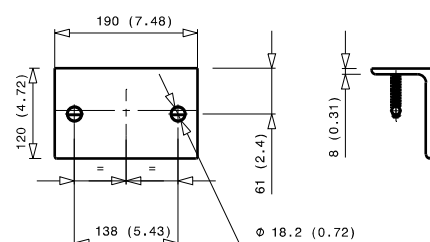


Dimensions in millimeters (inch)

Cap for fixed multicoupling 2,8 Kg



Parking station for mobile multicoupling 2,5 Kg



GR3 3A-1EC

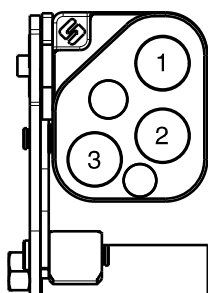
Previous description	Max. Resistance	FAP9 (A)	FAP13 (B)	FAP15 (C)	FAP17 (D)	FAP21 (E)	FAP30 (G)
Body size		3/8"	1/2"	5/8"	3/4"	1"	1-1/2"
GR3-9ZN	8000 N	3	A				



DRAWING



CONFIGURATIONS



Pos	Possible configurations	
	Coupling size	Predisposition for electrical connector
1	FAP9AZN	-
2	FAP9AZN	-
3	FAP9AZN	YES

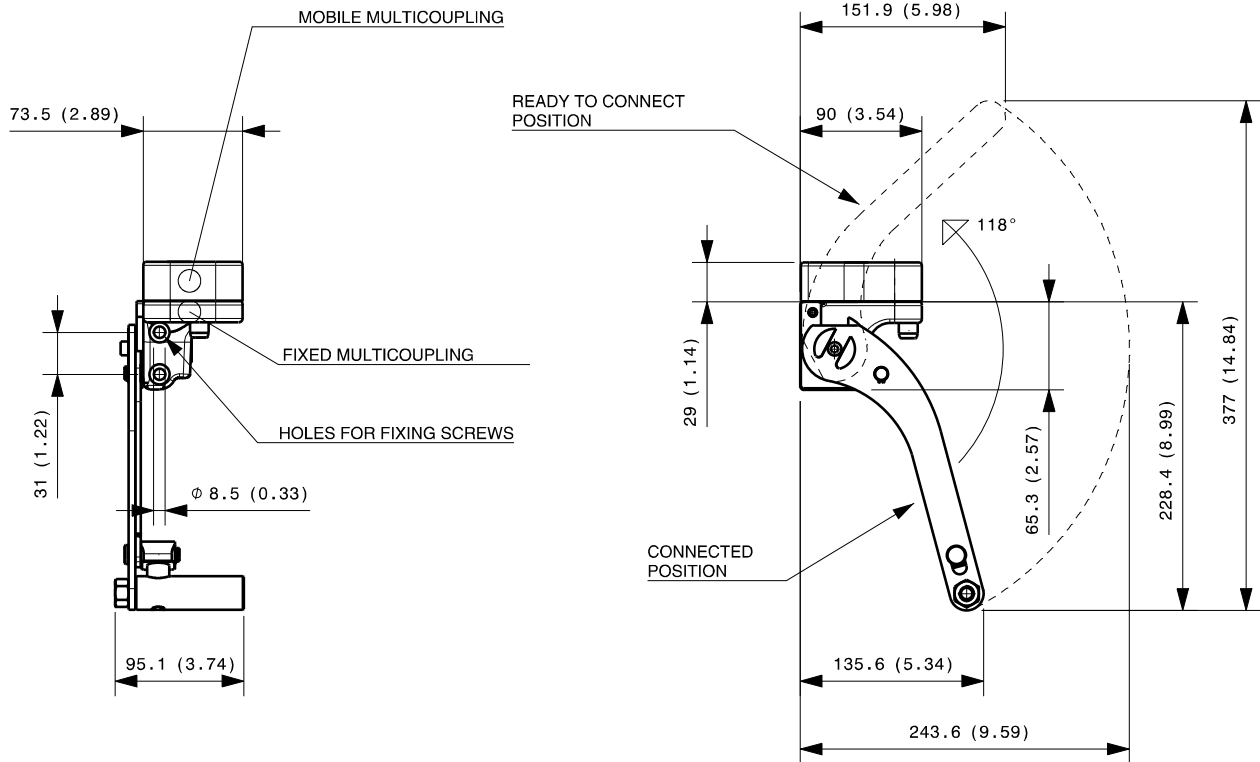
MultiCoupling (couplings included)		
Code	Name	Description
870001040	MULTI COMPLETE GR3 3A	2 FAP9A 3/8 BSP - 1 FAP9A 1/2 BSP - CAP
870001043	MULTI COMPLETE GR3 3A	3 FAP9A 3/8 BSP - CAP
870001044	MULTI COMPLETE GR3 3A	3 FAP9A 1/2 BSP - CAP
870001140	MULTI FIX GR3 3A	2 FAP9A 3/8 BSP - 1 FAP9A 1/2 BSP
870001143	MULTI FIX GR3 3A	3 FAP9A 3/8 BSP
870001144	MULTI FIX GR3 3A	3 FAP9A 1/2 BSP
870001240	MULTI MOBILE GR3 3A	2 FAP9A 3/8 BSP - 1 FAP9A 1/2 BSP
870001243	MULTI MOBILE GR3 3A	3 FAP9A 3/8 BSP
870001244	MULTI MOBILE GR3 3A	3 FAP9A 1/2 BSP

MultiCoupling spare parts (couplings not included)	
Code	Name
806000270	MULTI FIX EMPTY GR3 3A-1EC
806000271	MULTI MOBILE EMPTY GR3 3A-1EC
815606242	CAP FIX MULTICOUPLING GR 90x74
815606243	PARKING STATION MOBILE MULTICOUPLING GR 100x75
815701053	SPARE KIT LEVER GROUP GR 200x95

Custom configurations available upon request

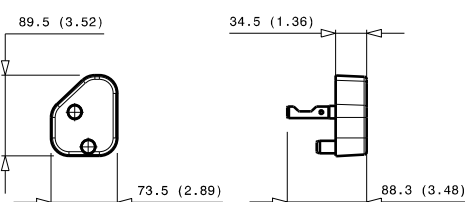
Fixed and mobile multicoupling

2,0 Kg and 0,9 Kg

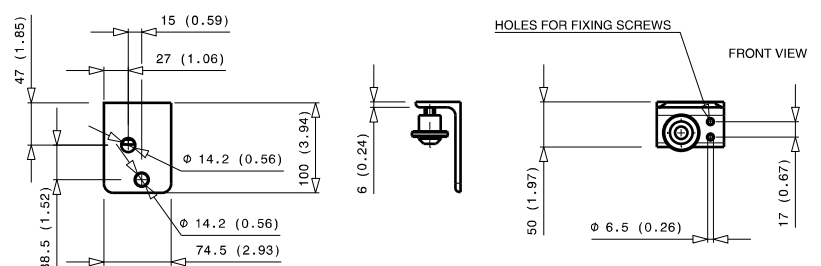


Dimensions in millimeters (inch)

Cap for fixed multicoupling 0,4 Kg



Parking station for mobile multicoupling 0,6 Kg



GR3 3B-1EC

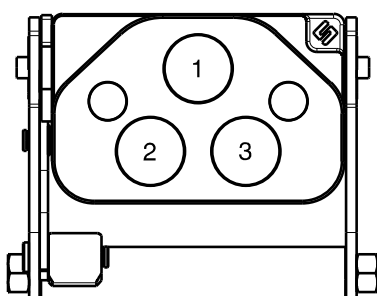
Previous description	Max. Resistance Body size	FAP9 (A) 3/8"	FAP13 (B) 1/2"	FAP15 (C) 5/8"	FAP17 (D) 3/4"	FAP21 (E) 1"	FAP30 (G) 1-1/2"
GR3-13ZN	18000 N		3				



DRAWING



CONFIGURATIONS



Possible configurations		
Pos	Coupling size	Predisposition for electrical connector
1	FAP13ZN	-
2	FAP13ZN	YES
3	FAP13ZN	-

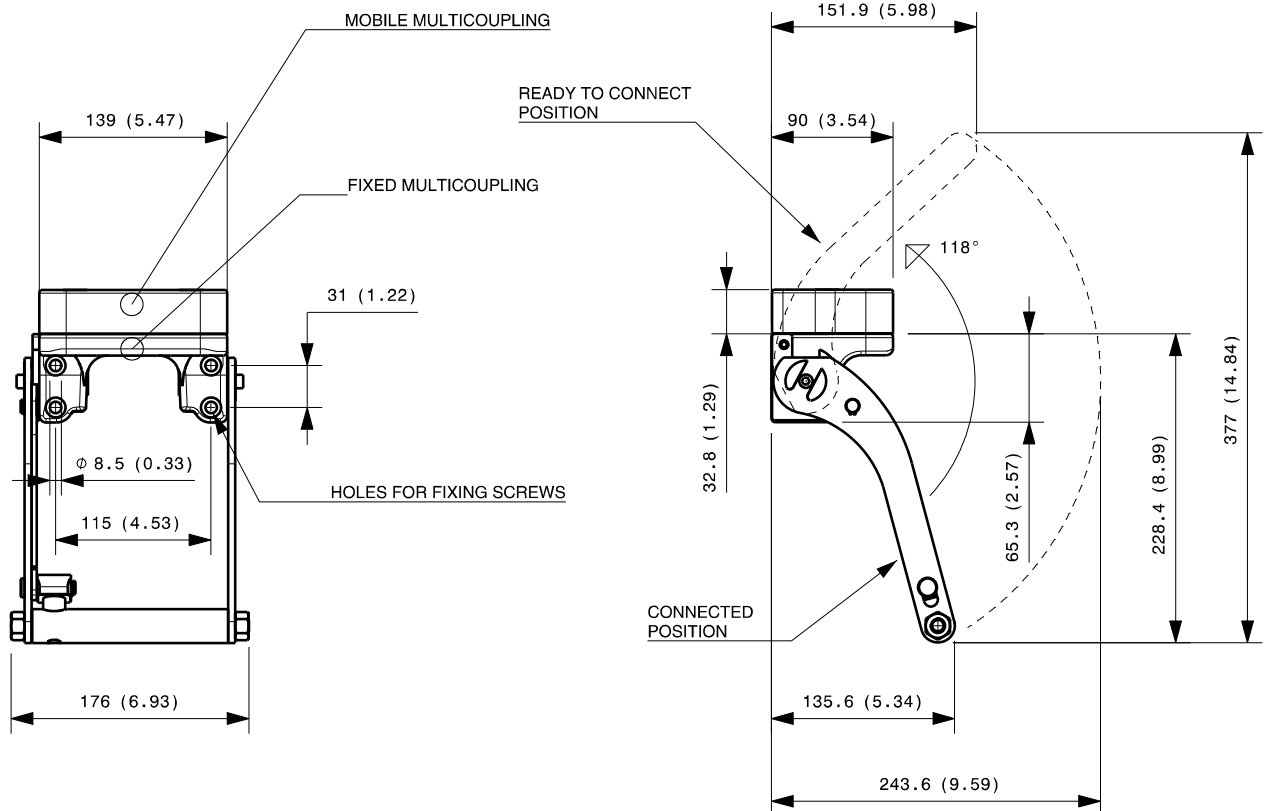
MultiCoupling (couplings included)		
Code	Name	Description
870003017	MULTI COMPLETE GR3 3B	1 FAP13 1/2 BSP - 2 FAP13 3/4 BSP - CAP
870003020	MULTI COMPLETE GR3 3B	3 FAP13 1/2 BSP - CAP
870003021	MULTI COMPLETE GR3 3B	3 FAP13 3/4 BSP - CAP
870003117	MULTI FIX GR3 3B	1 FAP13 1/2 BSP - 2 FAP13 3/4 BSP
870003120	MULTI FIX GR3 3B	3 FAP13 1/2 BSP
870003122	MULTI FIX GR3 2B	2 FAP13 3/4 BSP
870003123	MULTI FIX GR3 2B-1EC	2 FAP13 1/2 BSP - 1 EC6
870003217	MULTI MOBILE GR3 3B	1 FAP13 1/2 BSP - 2 FAP13 3/4 BSP
870003220	MULTI MOBILE GR3 3B	3 FAP13 1/2 BSP
870003223	MULTI MOBILE GR3 2B-1EC	2 FAP13 1/2 BSP - 1 EC6

MultiCoupling spare parts (couplings not included)	
Code	Name
806000272	MULTI FIX EMPTY GR3 3B-1EC
806000273	MULTI MOBILE EMPTY GR3 3B-1EC
815606248	CAP FIX MULTICOUPLING GR 139x90
815606249	PARKING STATION MOBILE MULTICOUPLING GR 140x100
815701052	SPARE KIT LEVER GROUP GR 200x176

Custom configurations available upon request

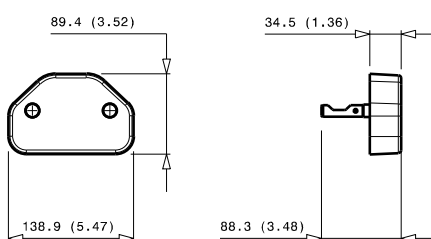
Fixed and mobile multicoupling

3,8 Kg and 1,8 Kg

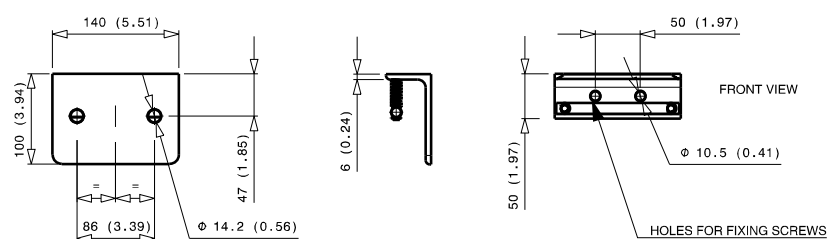


Dimensions in millimeters (inch)

Cap for fixed multicoupling 0,6 Kg



Parking station for mobile multicoupling 1,1 Kg



GR3 1A-2E-1EC

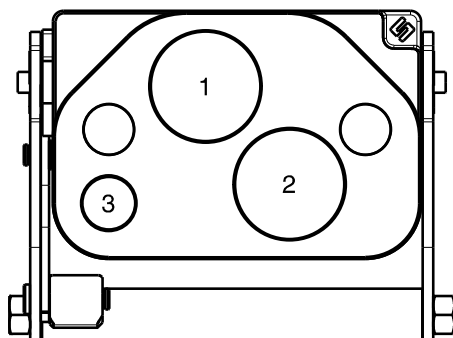
Previous description	Max. Resistance	FAP9 (A)	FAP13 (B)	FAP15 (C)	FAP17 (D)	FAP21 (E)	FAP30 (G)
Body size		3/8"	1/2"	5/8"	3/4"	1"	1-1/2"
GRK3ZN	23000 N	1	D			2	



DRAWING



CONFIGURATIONS



Possible configurations		
Pos	Coupling size	Predisposition for electrical connector
1	FAP21ZN	-
2	FAP21ZN	-
3	FAP9DZN	YES

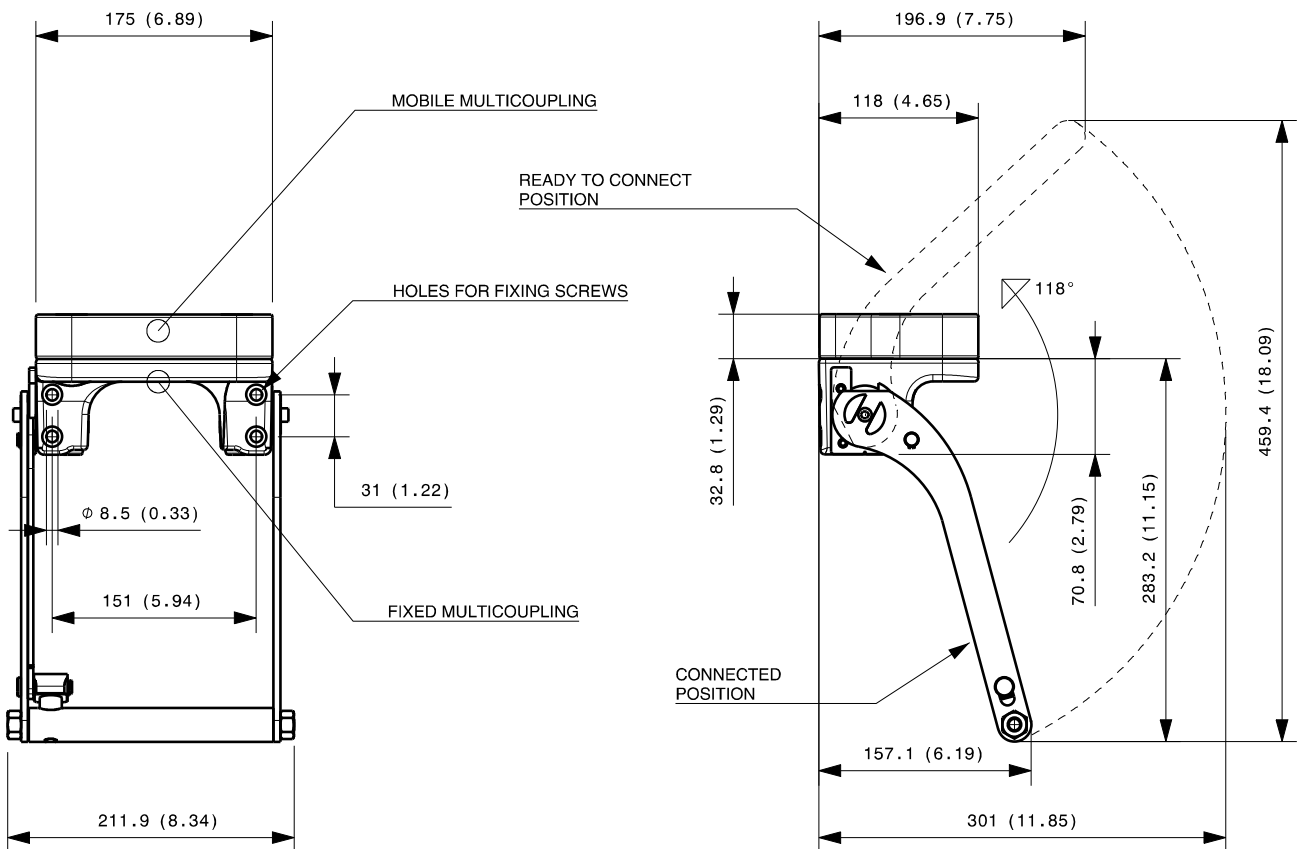
MultiCoupling (couplings included)		
Code	Name	Description
870015075	MULTI COMPLETE GR3 1A-2E	1 FAP9D 3/8 BSP - 2 FAP21 1 BSP - CAP
870015083	MULTI COMPLETE GR3 1A-2E	1 FAP9D 3/8 BSP - 2 FAP21 1-1/4 BSP - CAP
870016052	MULTI COMPLETE GR3 1A-2E	1 FAP9D 1/2 BSP - 2 FAP21 1 BSP - CAP
870016001	MULTI COMPLETE GR3 2E	2 FAP21 1-1/4 BSP - CAP
870015175	MULTI FIX GR3 1A-2E	1 FAP9D 3/8 BSP - 2 FAP21 1 BSP
870016101	MULTI FIX GR3 2E	2 FAP21 1-1/4 BSP
870015275	MULTI MOBILE GR3 1A-2E	1 FAP9D 3/8 BSP - 2 FAP21 1 BSP
870016201	MULTI MOBILE GR3 2E	2 FAP21 1-1/4 BSP

MultiCoupling spare parts (couplings not included)		
Code	Name	
806000310	MULTI FIX EMPTY GR3 1A-2E-1EC	
806000311	MULTI MOBILE EMPTY GR3 1A-2E-1EC	
815606260	CAP FIX MULTICOUPLING GR 175x117 V02	
815606261	PARKING STATION MOBILE MULTICOUPLING GR 180x120 V02	
815701055	SPARE KIT LEVER GROUP GR 250x212	

Custom configurations available upon request

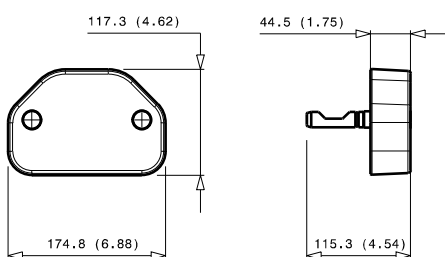
Fixed and mobile multicoupling

5,7 Kg and 2,8 Kg

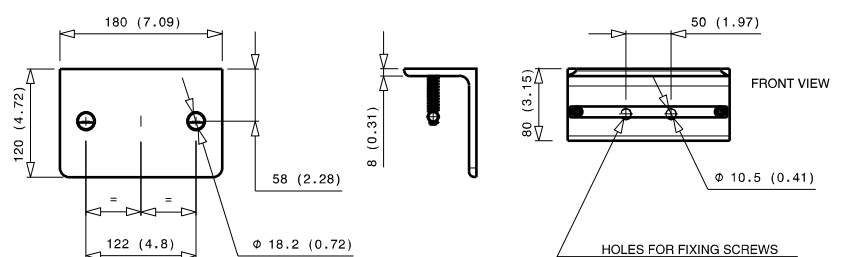


Dimensions in millimeters (inch)

Cap for fixed multicoupling 1,2 Kg



Parking station for mobile multicoupling 2,4 Kg



GR3 2B-1C-2EC

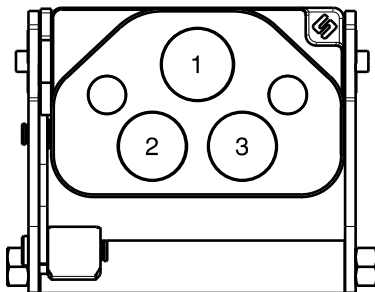
Previous description	Max. Resistance	FAP9 (A)	FAP13 (B)	FAP15 (C)	FAP17 (D)	FAP21 (E)	FAP30 (G)
GR13	18000 N	3/8"	1/2"	5/8"	3/4"	1"	1-1/2"



DRAWING



CONFIGURATIONS



Possible configurations		
Pos	Coupling size	Predisposition for electrical connector
1	FAP15ZN	-
2	FAP13ZN	YES
3	FAP13ZN	YES

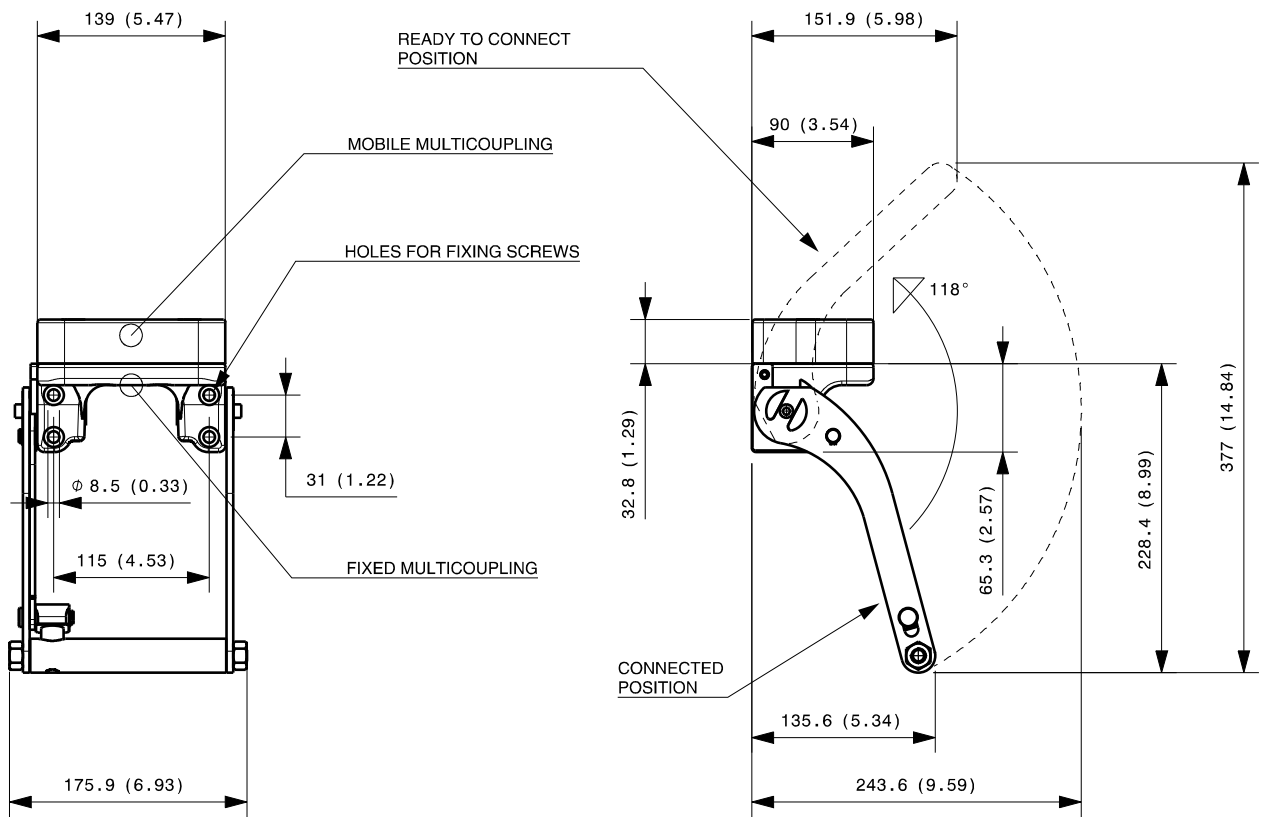
MultiCoupling (couplings included)		
Code	Name	Description
870015065	MULTI COMPLETE GR3 2B-1C	2 FAP13 1/2 BSP - 1 FAP15 3/4 BSP - CAP
870015165	MULTI FIX GR3 2B-1C	2 FAP13 1/2 BSP - 1 FAP15 3/4 BSP
870015265	MULTI MOBILE GR3 2B-1C	2 FAP13 1/2 BSP - 1 FAP15 3/4 BSP

MultiCoupling spare parts (couplings not included)	
Code	Name
806000376	MULTI FIX EMPTY GR3 2B-1C-2EC
806000377	MULTI MOBILE EMPTY GR3 2B-1C-2EC
815606248	CAP FIX MULTICOUPLING GR 139x90
815606249	PARKING STATION MOBILE MULTICOUPLING GR 140x100
815701052	SPARE KIT LEVER GROUP GR 200x176

Custom configurations available upon request

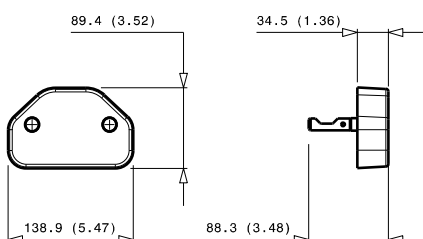
Fixed and mobile multicoupling

3,7 Kg and 1,7 Kg

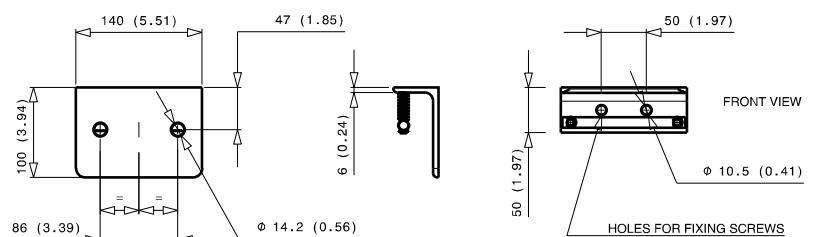


Dimensions in millimeters (inch)

Cap for fixed multicoupling 0,6 Kg



Parking station for mobile multicoupling 1,1 Kg

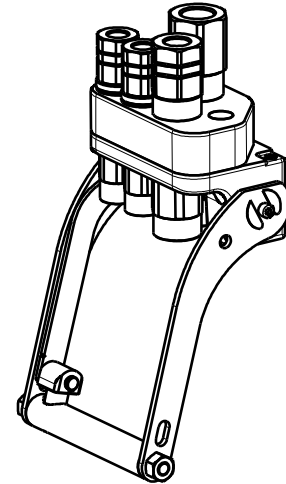


GR4 2A-1B-1C-2EC

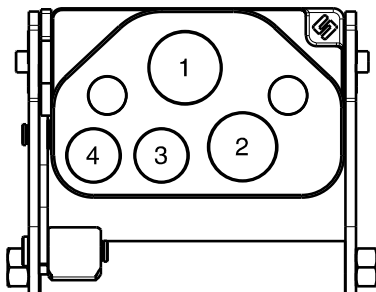
Previous description	Max. Resistance	FAP9 (A)	FAP13 (B)	FAP15 (C)	FAP17 (D)	FAP21 (E)	FAP30 (G)
Body size		3/8"	1/2"	5/8"	3/4"	1"	1-1/2"
GR14SBZN	18000 N	2 D	1	1			



DRAWING



CONFIGURATIONS



Possible configurations		
Pos	Coupling size	Predisposition for electrical connector
1	FAP15ZN	-
2	FAP13ZN	-
3	FAP9DZN	YES
4	FAP9DZN	YES

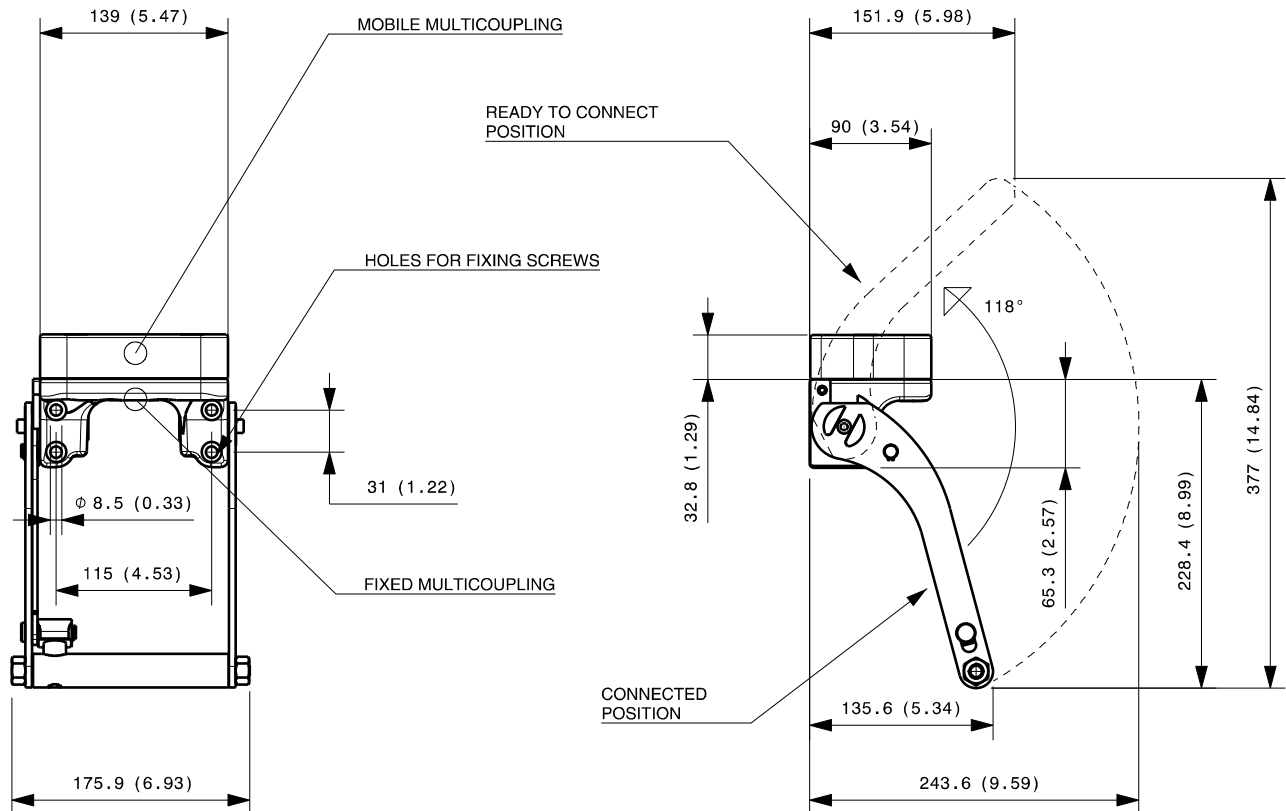
MultiCoupling (couplings included)		
Code	Name	Description
870015091	MULTI COMPLETE GR4 1B-1C	1 FAP13 1/2 BSP - 1 FAP15 3/4 BSP - CAP
870015191	MULTI FIX GR4 1B-1C	1 FAP13 1/2 BSP - 1 FAP15 3/4 BSP
870015291	MULTI MOBILE GR4 1B-1C	1 FAP13 1/2 BSP - 1 FAP15 3/4 BSP

MultiCoupling spare parts (couplings not included)	
Code	Name
806000276	MULTI FIX EMPTY GR4 2A-1B-1C-2EC
806000277	MULTI MOBILE EMPTY GR4 2A-1B-1C-2EC
815606246	CAP FIX MULTICOUPLING GR 139x90 V02
815606249	PARKING STATION MOBILE MULTICOUPLING GR 140x100
815701052	SPARE KIT LEVER GROUP GR 200x176

Custom configurations available upon request

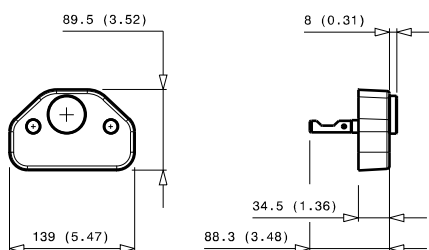
Fixed and mobile multicoupling

3,7 Kg and 1,7 Kg

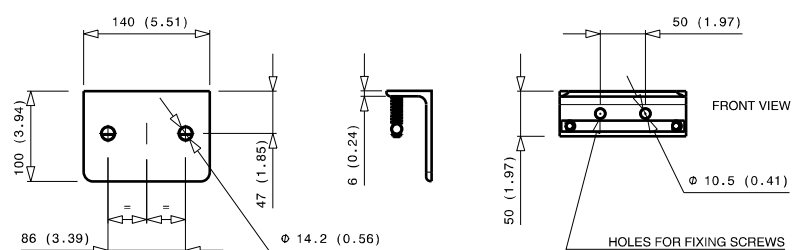


Dimensions in millimeters (inch)

Cap for fixed multicoupling 0,6 Kg



Parking station for mobile multicoupling 1,1 Kg



GR4 2A-2B-2EC

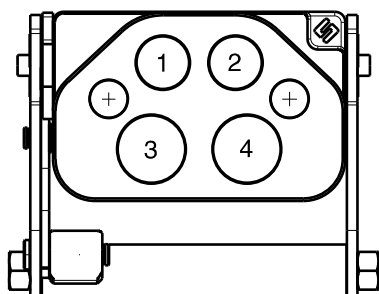
Previous description	Max. Resistance	FAP9 (A)	FAP13 (B)	FAP15 (C)	FAP17 (D)	FAP21 (E)	FAP30 (G)
Body size		3/8"	1/2"	5/8"	3/4"	1"	1-1/2"
GRB4ZN	18000 N	2 D	2				



DRAWING



CONFIGURATIONS



Possible configurations		
Pos	Coupling size	Predisposition for electrical connector
1	FAP9DZN	YES
2	FAP9DZN	YES
3	FAP13ZN	-
4	FAP13ZN	-

MultiCoupling (couplings included)

Code	Name	Description
870016014	MULTI COMPLETE GR4 2A-2B	2 FAP9D 3/8 BSP - 2 FAP13 1/2 BSP - CAP
870016114	MULTI FIX GR4 2A-2B	2 FAP9D 3/8 BSP - 2 FAP13 1/2 BSP
870016214	MULTI MOBILE GR4 2A-2B	2 FAP9D 3/8 BSP - 2 FAP13 1/2 BSP

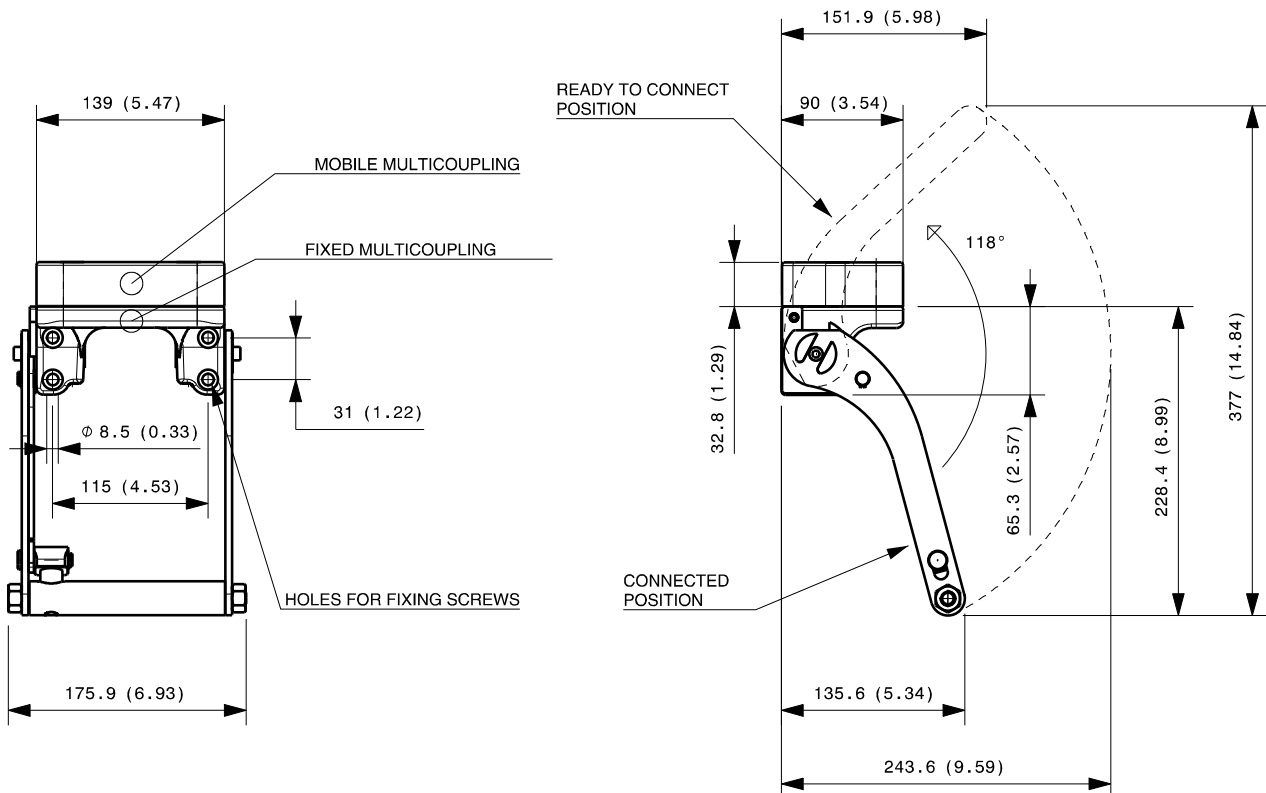
MultiCoupling spare parts (couplings not included)

Code	Name
806000274	MULTI FIX EMPTY GR4 2A-2B-2EC
806000275	MULTI MOBILE EMPTY GR4 2A-2B-2EC
815606248	CAP FIX MULTICOUPLING GR 139x90
815606249	PARKING STATION MOBILE MULTICOUPLING GR 140x100
815701052	SPARE KIT LEVER GROUP GR 200x176

Custom configurations available upon request

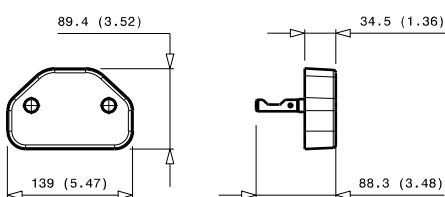
Fixed and mobile multicoupling

3,7 Kg and 1,8 Kg



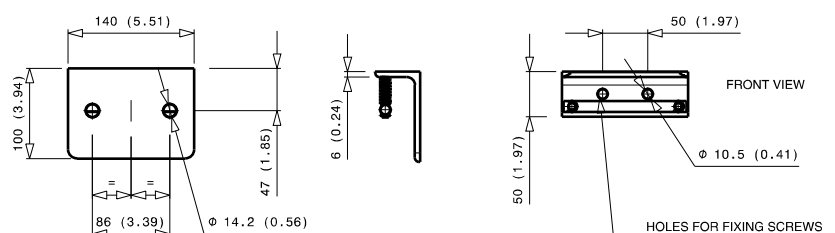
Dimensions in millimeters (inch)

Cap for fixed multicoupling 0,6 Kg



Parking station for mobile multicoupling 1,1 Kg

1,1 Kg

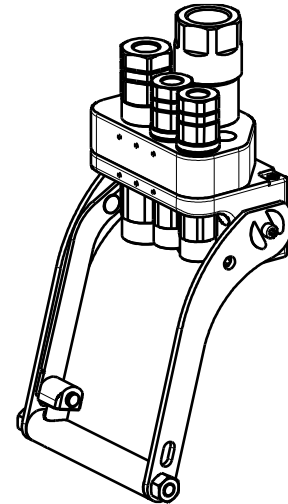


GR4 2A-1B-1D-2EC

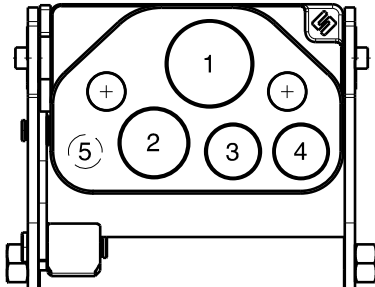
Previous description	Max. Resistance	FAP9 (A)		FAP13 (B)	FAP15 (C)	FAP17 (D)	FAP21 (E)	FAP30 (G)
Body size		3/8"	D	1/2"	5/8"	3/4"	1"	1-1/2"
GR4MRZN	18000 N	2	D	1		1		



DRAWING



CONFIGURATIONS



Possible configurations		
Pos	Coupling size	Predisposition for electrical connector
1	FAP17ZN	-
2	FAP13ZN	-
3	FAP9DZN	YES
4	FAP9DZN	YES
5	*	

* - Holes Ø16 (0.63) for optional sensor.

MultiCoupling (couplings included)

Code	Name	Description
870016015	MULTI COMPLETE GR4 2A-1B-1D	2 FAP9D 3/8 BSP - 1 FAP13 1/2 BSP - 1 FAP17 1 BSP - CAP
870016115	MULTI FIX GR4 2A-1B-1D	2 FAP9D 3/8 BSP - 1 FAP13 1/2 BSP - 1 FAP17 1 BSP
870016215	MULTI MOBILE GR4 2A-1B-1D	2 FAP9D 3/8 BSP - 1 FAP13 1/2 BSP - 1 FAP17 1 BSP

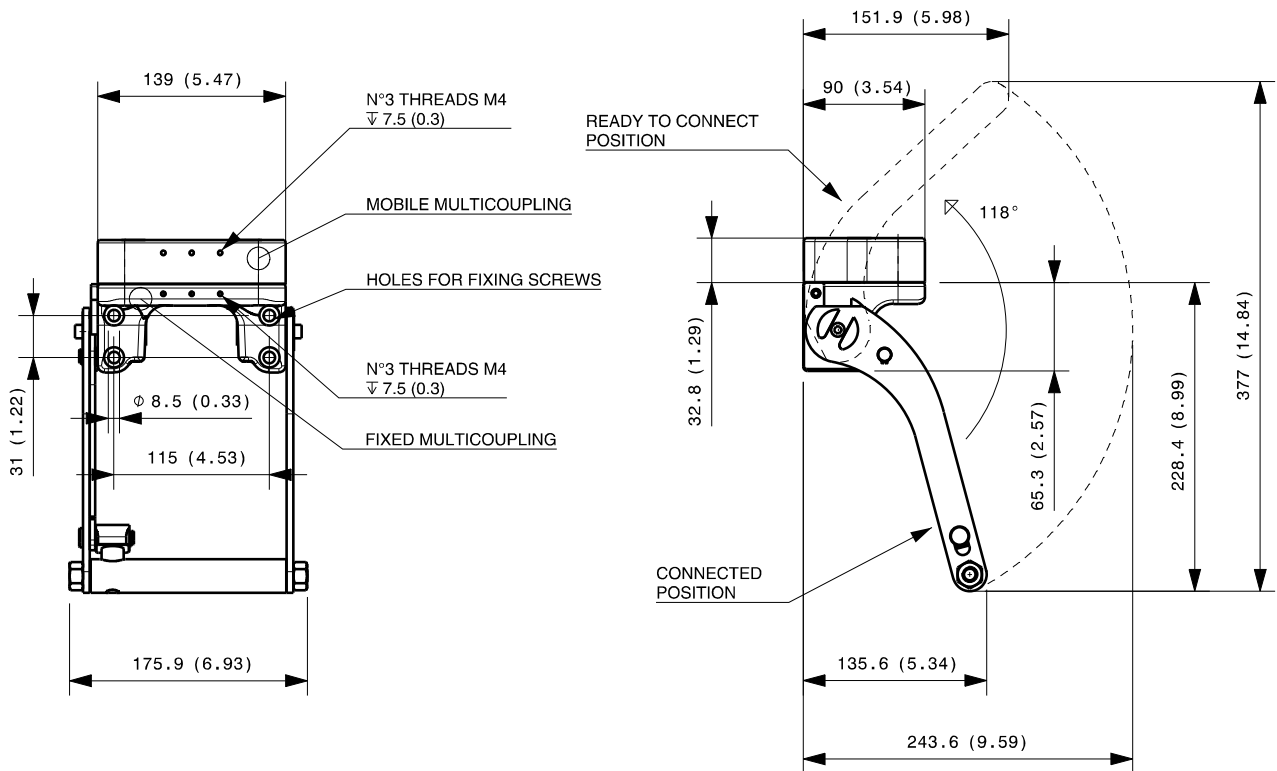
MultiCoupling spare parts (couplings not included)

Code	Name
806000280	MULTI FIX EMPTY GR4 2A-1B-1D-2EC
806000281	MULTI MOBILE EMPTY GR4 2A-1B-1D-2EC
815606244	CAP FIX MULTICOUPLING GR 139x90 V01
815606249	PARKING STATION MOBILE MULTICOUPLING GR 140x100
815701052	SPARE KIT LEVER GROUP GR 200x176
815701300	KIT PLUG FOR HOLE D16 MULTI FIX GR4 2A-1B-1D-2EC

Custom configurations available upon request

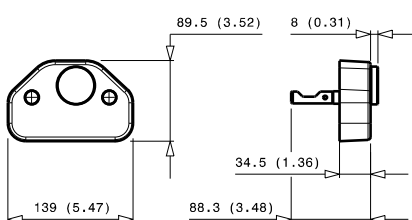
Fixed and mobile multicoupling

3,6 Kg and 1,7 Kg

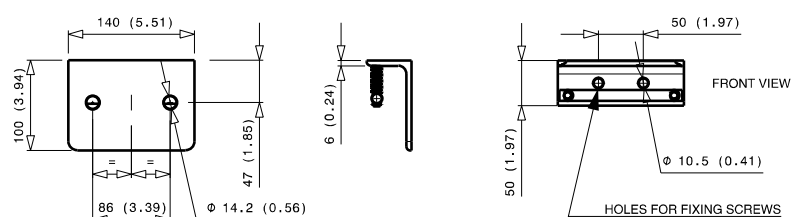


Dimensions in millimeters (inch)

Cap for fixed multicoupling 0,6 Kg



Parking station for mobile multicoupling 1,1 Kg



GR4 2A-1C-1D-2EC

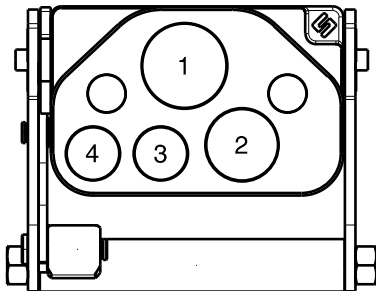
Previous description	Max. Resistance Body size	FAP9 (A) 3/8"	FAP13 (B) 1/2"	FAP15 (C) 5/8"	FAP17 (D) 3/4"	FAP21 (E) 1"	FAP30 (G) 1-1/2"
GRI4ZN	18000 N	2	D	1	1		



DRAWING



CONFIGURATIONS



Possible configurations		
Pos	Coupling size	Predisposition for electrical connector
1	FAP17ZN	-
2	FAP15ZN	-
3	FAP9DZN	YES
4	FAP9DZN	YES

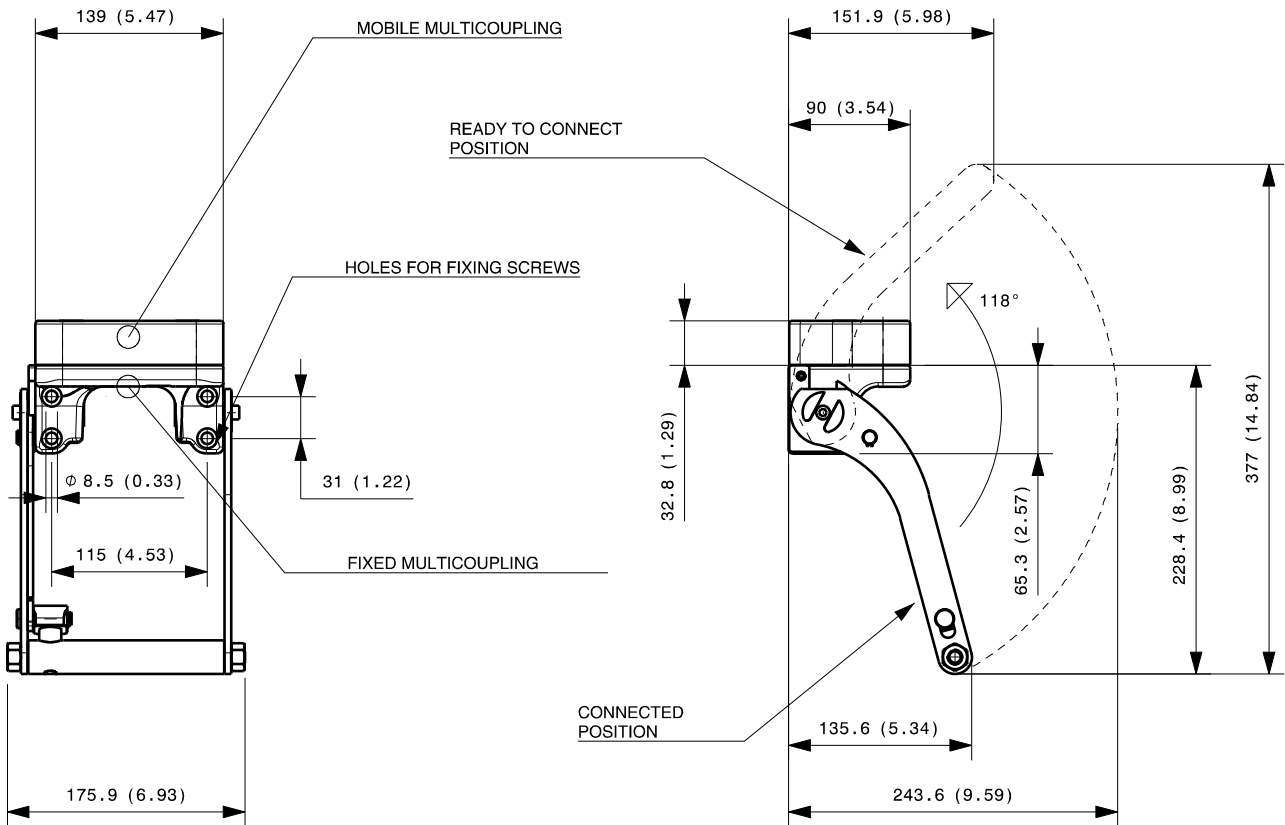
MultiCoupling (couplings included)		
Code	Name	Description
870015058	MULTI COMPLETE GR4 2A-1C-1D	2 FAP9D 3/8 BSP - 1 FAP15 3/4 BSP - 1 FAP17 1 BSP - CAP
870015060	MULTI COMPLETE GR4 1A-1C-1D	1 FAP9D 3/8 BSP - 1 FAP15 3/4 BSP - 1 FAP17 1 BSP - CAP
870015074	MULTI COMPLETE GR4 1C-1D	1 FAP15 3/4 BSP - 1 FAP17 1 BSP - CAP
870015086	MULTI COMPLETE GR4 1C-1D-2EC	1 FAP15 3/4 BSP - 1 FAP17 1 BSP - 2EC6 - CAP
870016025	MULTI COMPLETE GR4 1D-1EC	1 FAP17 3/4 BSP - 1EC6 - CAP
870016026	MULTI COMPLETE GR4 2A-1D	2 FAP9D 1/2 BSP - 1 FAP17 1 BSP - CAP
870015095	MULTI COMPLETE GR4 2A-1C	2 FAP9D 3/8 BSP - 1 FAP15 3/4 BSP - CAP
870015158	MULTI FIX GR4 2A-1C-1D	2 FAP9D 3/8 BSP - 1 FAP15 3/4 BSP - 1 FAP17 1 BSP
870015160	MULTI FIX GR4 1A-1C-1D	1 FAP9D 3/8 BSP - 1 FAP15 3/4 BSP - 1 FAP17 1 BSP
870016127	MULTI FIX GR4 1A-1C-1D	1 FAP9D 3/8 BSP - 1 FAP15 3/4 BSP - 1 FAP17 3/4 BSP
870015258	MULTI MOBILE GR4 2A-1C-1D	2 FAP9D 3/8 BSP - 1 FAP15 3/4 BSP - 1 FAP17 1 BSP
870015260	MULTI MOBILE GR4 1A-1C-1D	1 FAP9D 3/8 BSP - 1 FAP15 3/4 BSP - 1 FAP17 1 BSP
870016225	MULTI MOBILE GR4 1D-1EC	1 FAP17 3/4 BSP - 1EC6
870016227	MULTI MOBILE GR4 1A-1C-1D	1 FAP9D 3/8 BSP - 1 FAP15 3/4 BSP - 1 FAP17 3/4 BSP

MultiCoupling spare parts (couplings not included)	
Code	Name
806000282	MULTI FIX EMPTY GR4 2A-1C-1D-2EC
806000283	MULTI MOBILE EMPTY GR4 2A-1C-1D-2EC
815606246	CAP FIX MULTICOUPLING GR 139x90 V02
815606249	PARKING STATION MOBILE MULTICOUPLING GR 140x100
815701052	SPARE KIT LEVER GROUP GR 200x176

Custom configurations available upon request

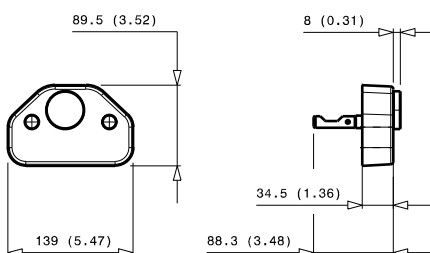
Fixed and mobile multicoupling

3,6 Kg and 1,7 Kg

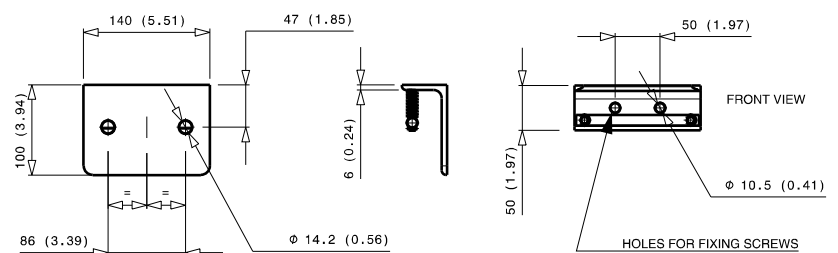


Dimensions in millimeters (inch)

Cap for fixed multicoupling 0,6 Kg



Parking station for mobile multicoupling 1,1 Kg



GR4 2A-2C-2EC

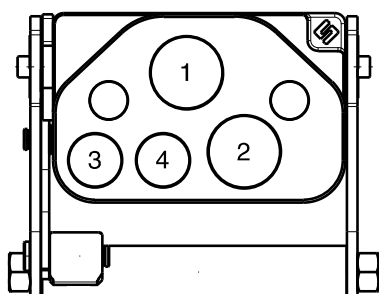
Previous description	Max. Resistance Body size	FAP9 (A) 3/8"	FAP13 (B) 1/2"	FAP15 (C) 5/8"	FAP17 (D) 3/4"	FAP21 (E) 1"	FAP30 (G) 1-1/2"
GRI4TBZN	18000 N	2	D	2			



DRAWING



CONFIGURATIONS



Possible configurations		
Pos	Coupling size	Predisposition for electrical connector
1	FAP15ZN	-
2	FAP15ZN	-
3	FAP9DZN	YES
4	FAP9DZN	YES

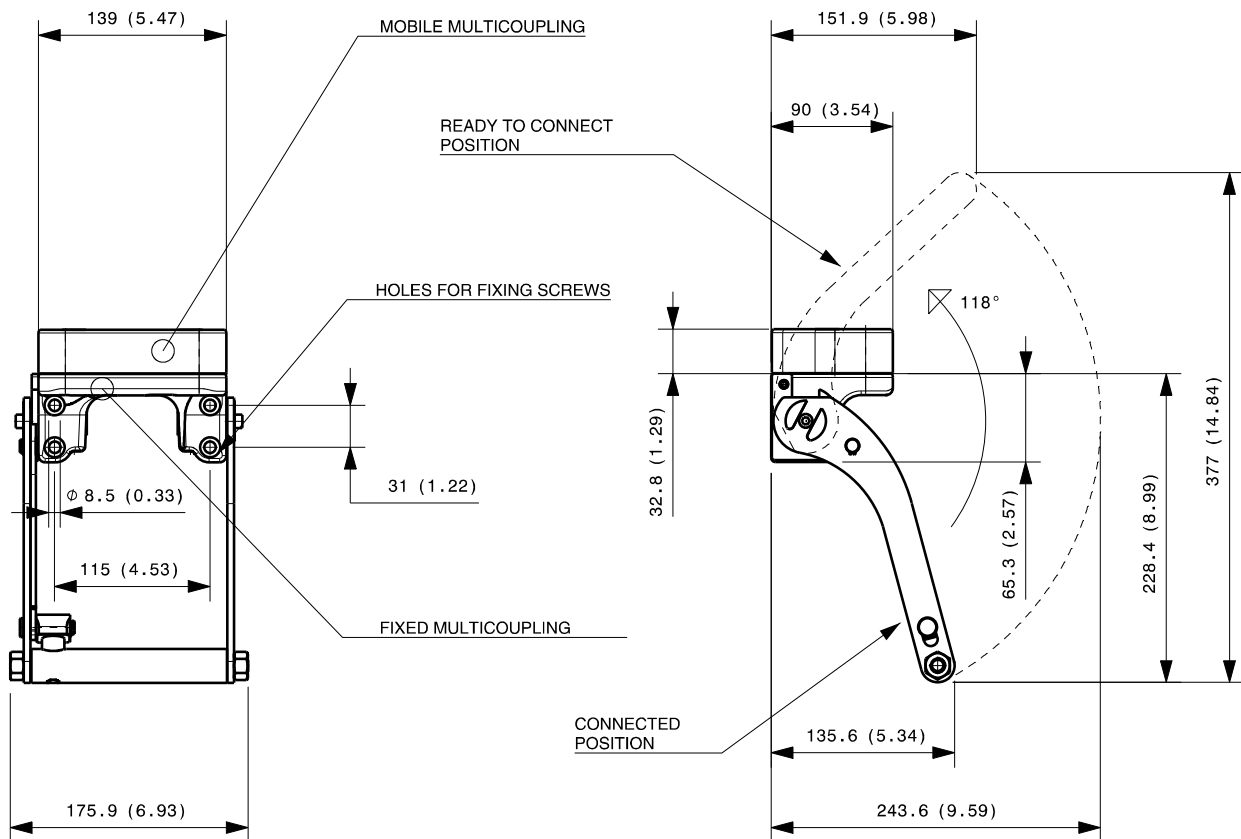
MultiCoupling (couplings included)		
Code	Name	Description
870016008	MULTI COMPLETE GR4 1A-2C-1EC	1 FAP9D 1/2 BSP - 2 FAP15 3/4 BSP - 1EC7 - CAP
870016041	MULTI COMPLETE GR4 1A-2C	1 FAP9D 3/8 NPT - 2 FAP15 3/4 NPT - CAP
870016060	MULTI COMPLETE GR4 1A-2C	1 FAP9D 3/8 SAE - 2 FAP15 3/4 SAE - CAP
870016107	MULTI FIX GR4 2A-2C	2 FAP9D 3/8 BSP - 2 FAP15 3/4 BSP EXT
870016108	MULTI FIX GR4 1A-2C-1EC	1 FAP9D 1/2 BSP - 2 FAP15 3/4 BSP - 1EC7
870016111	MULTI FIX GR4 1A-2C	1 FAP9D 3/8 BSP - 2 FAP15 3/4 BSP
870016129	MULTI FIX GR4 1A-2C-1EC	1 FAP9D 3/8 BSP - 2 FAP15 3/4 BSP - 1EC7
870016207	MULTI MOBILE GR4 2A-2C	2 FAP9D 3/8 BSP - 2 FAP15 3/4 BSP EXT
870016208	MULTI MOBILE GR4 1A-2C-1EC	1 FAP9D 1/2 BSP - 2 FAP15 3/4 BSP - 1EC7
870016211	MULTI MOBILE GR4 1A-2C	1 FAP9D 3/8 BSP - 2 FAP15 3/4 BSP
870016229	MULTI MOBILE GR4 1A-2C-1EC	1 FAP9D 3/8 BSP - 2 FAP15 3/4 BSP - 1EC7
870016241	MULTI MOBILE GR4 1A-2C	1 FAP9D 3/8 NPT - 2 FAP15 3/4 NPT
870016260	MULTI MOBILE GR4 1A-2C	1 FAP9D 3/8 SAE - 2 FAP15 3/4 SAE

MultiCoupling spare parts (couplings not included)		
Code	Name	
806000278	MULTI FIX EMPTY GR4 2A-2C-2EC	
806000279	MULTI MOBILE EMPTY GR4 2A-2C-2EC	
815606246	CAP FIX MULTICOUPLING GR 139x90 V02	
815606249	PARKING STATION MOBILE MULTICOUPLING GR 140x100	
815701052	SPARE KIT LEVER GROUP GR 200x176	

Custom configurations available upon request

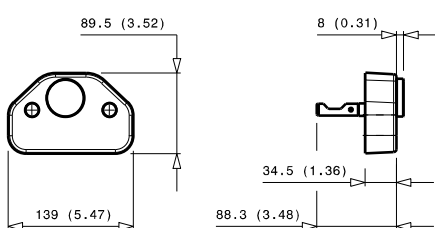
Fixed and mobile multicoupling

3,7 Kg and 1,7 Kg

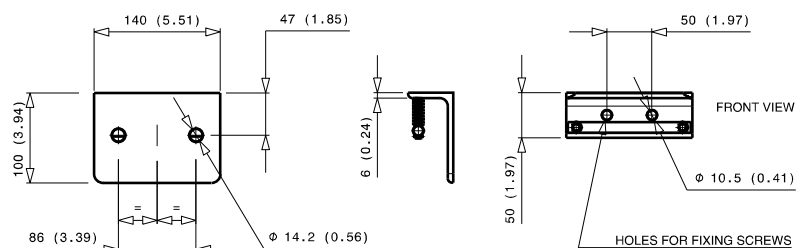


Dimensions in millimeters (inch)

Cap for fixed multicoupling 0,6 Kg



Parking station for mobile multicoupling 1,1 Kg

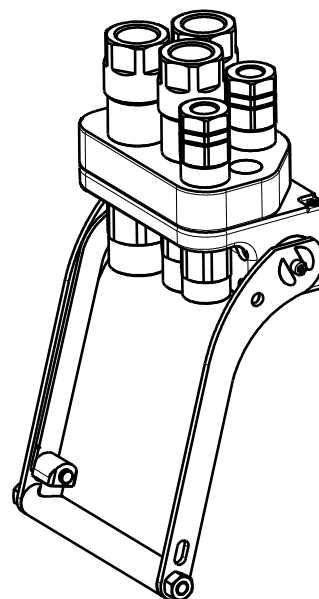


GR5 2B-3D-2EC

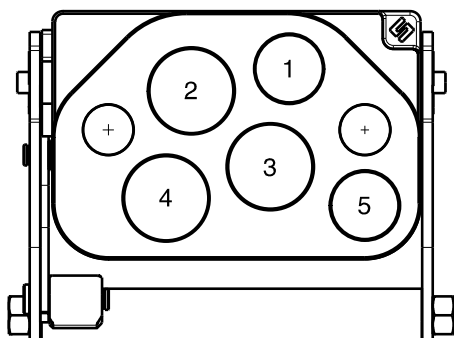
Previous description	Max. Resistance Body size	FAP9 (A) 3/8"	FAP13 (B) 1/2"	FAP15 (C) 5/8"	FAP17 (D) 3/4"	FAP21 (E) 1"	FAP30 (G) 1-1/2"
GR5AAZN	23000 N		2		3		



DRAWING



CONFIGURATIONS



Possible configurations		
Pos	Coupling size	Predisposition for electrical connector
1	FAP13ZN	YES
2	FAP17ZN	-
3	FAP17ZN	-
4	FAP17ZN	-
5	FAP13ZN	YES

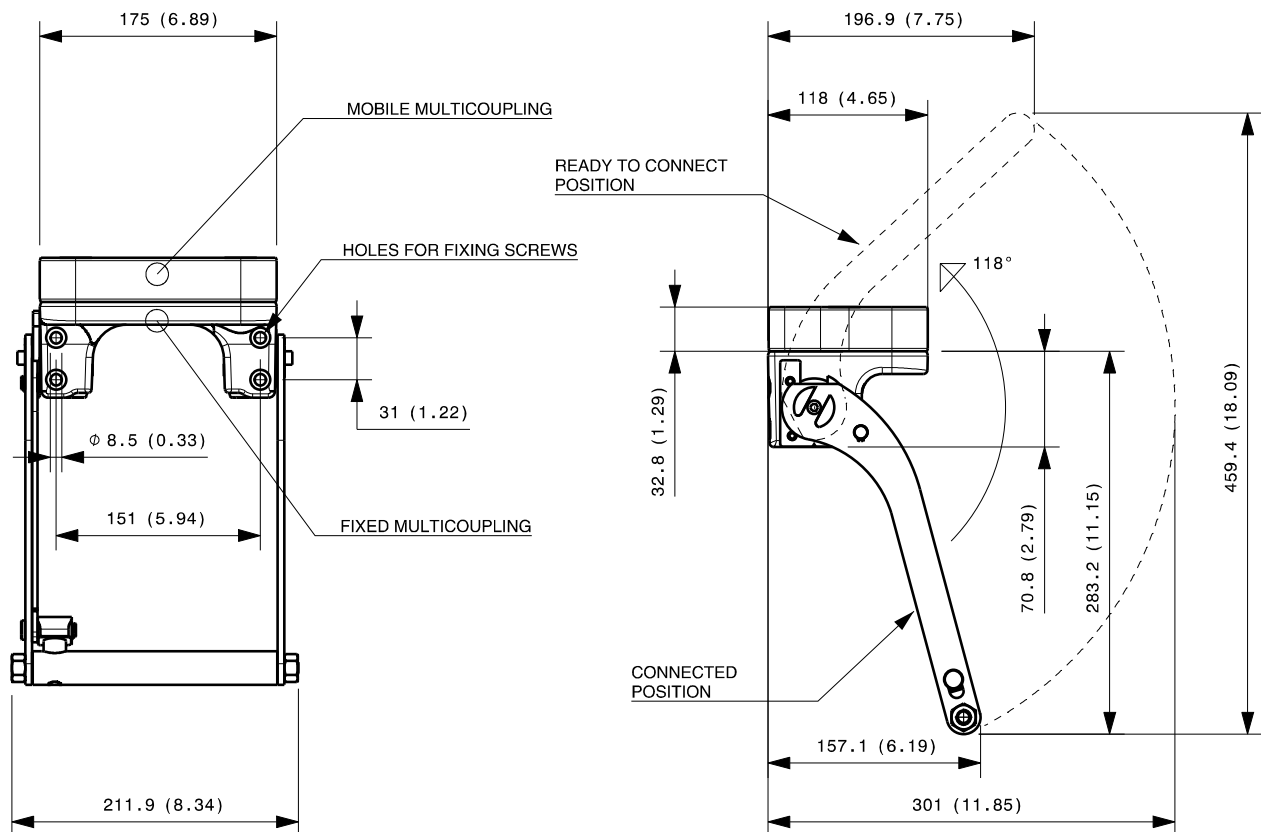
MultiCoupling (couplings included)		
Code	Name	Description
870015080	MULTI COMPLETE GR5 2B-3D	2 FAP13 1/2 BSP - 3 FAP17 3/4 BSP - CAP
870016033	MULTI COMPLETE GR5 2B-1D	2 FAP13 3/4 BSP - 1 FAP17 1 BSP - CAP
870016046	MULTI COMPLETE GR5 1B-3D	1 FAP13 3/4 BSP - 3 FAP17 1 BSP - CAP
870015180	MULTI FIX GR5 2B-3D	2 FAP13 1/2 BSP - 3 FAP17 3/4 BSP
870016122	MULTI FIX GR5 3D-2EC	3 FAP17 1 BSP - 2 EC6
870016147	MULTI FIX GR5 3D	3 FAP17 3/4 BSP
870016154	MULTI FIX GR5 1B-3D	1 FAP13 1/2 BSP - 3 FAP17 3/4 BSP
870016153	MULTI FIX GR5 3D	3 FAP17 1 BSP
870015280	MULTI MOBILE GR5 2B-3D	2 FAP13 1/2 BSP - 3 FAP17 3/4 BSP
870016222	MULTI MOBILE GR5 3D-2EC	3 FAP17 1 BSP - 2 EC6
870016247	MULTI MOBILE GR5 3D	3 FAP17 3/4 BSP
870016254	MULTI MOBILE GR5 1B-3D	1 FAP13 1/2 BSP - 3 FAP17 3/4 BSP
870016253	MULTI MOBILE GR5 3D	3 FAP17 1 BSP

MultiCoupling spare parts (couplings not included)	
Code	Name
806000312	MULTI FIX EMPTY GR5 2B-3D-2EC
806000313	MULTI MOBILE EMPTY GR5 2B-3D-2EC
815606260	CAP FIX MULTICOUPLING GR 175x117 V02
815606261	PARKING STATION MOBILE MULTICOUPLING GR 180x120 V02
815701055	SPARE KIT LEVER GROUP GR 250x212

Custom configurations available upon request

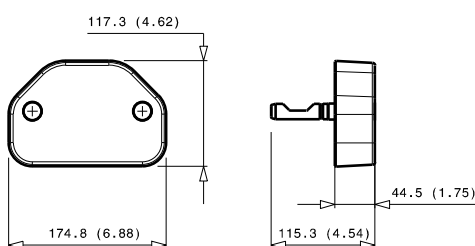
Fixed and mobile multicoupling

5,5 Kg and 2,7 Kg

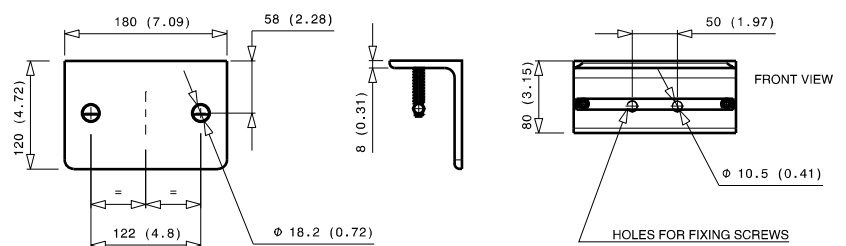


Dimensions in millimeters (inch)

Cap for fixed multicoupling 1,2 Kg



Parking station for mobile multicoupling 2,4 Kg



GR5 3A-1D-1E-2EC

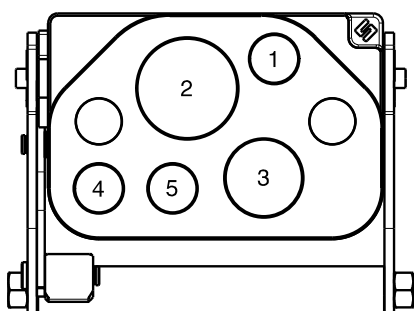
Previous description	Max. Resistance	FAP9 (A)	FAP13 (B)	FAP15 (C)	FAP17 (D)	FAP21 (E)	FAP30 (G)
Body size		3/8"	1/2"	5/8"	3/4"	1"	1-1/2"
GRD5ZN	23000 N	3	D		1	1	



DRAWING



CONFIGURATIONS



Possible configurations		
Pos	Coupling size	Predisposition for electrical connector
1	FAP9DZN	-
2	FAP21ZN	-
3	FAP17ZN	-
4	FAP9DZN	YES
5	FAP9DZN	YES

MultiCoupling (couplings included)

Code	Name	Description
870015066	MULTI COMPLETE GR5 2A-1D-1E	2 FAP9D 3/8 BSP - 1 FAP17 1 BSP - 1 FAP21 1-1/4 BSP - CAP
870015079	MULTI COMPLETE GR5 1A-1D-1E-1EC	1 FAP9D 3/8 BSP - 1 FAP17 3/4 BSP - 1 FAP21 1 BSP - 1EC6 - CAP
870015084	MULTI COMPLETE GR5 1D-1E-2EC	1 FAP17 3/4 BSP - 1 FAP21 1 BSP - 2EC6 - CAP
870015099	MULTI COMPLETE GR5 2A-1D-1E	2 FAP9D 3/8 BSP - 1 FAP17 3/4 BSP - 1 FAP21 1 BSP - CAP
870016000	MULTI COMPLETE GR5 3A-1D-1E	3 FAP9D 1/2 BSP - 1 FAP17 1 BSP - 1 FAP21 1-1/4 BSP - CAP
870016030	MULTI COMPLETE GR5 2A-1D-1E-1EC6	1 FAP9D 3/8 BSP - 1 FAP9D 1/2 BSP - 1 FAP17 1 BSP - 1 FAP21 1-1/4 BSP - 1EC6 - CAP
870016042	MULTI COMPLETE GR5 1A-1D-1E	1 FAP9D 3/8 BSP - 1 FAP17 1 BSP - 1 FAP21 1-1/4 BSP - CAP
870016043	MULTI COMPLETE GR5 2A-1E	2 FAP9D 3/8 BSP - 1 FAP21 1-1/4 BSP - CAP
870015161	MULTI FIX GR5 2A-1D-1E	2 FAP9D 1/2 BSP - 1 FAP17 1 BSP - 1 FAP21 1-1/4 BSP
870015184	MULTI FIX GR5 1D-1E-2EC	1 FAP17 3/4 BSP - 1 FAP21 1 BSP - 2EC6
870015166	MULTI FIX GR5 2A-1D-1E	2 FAP9D 3/8 BSP - 1 FAP17 1 BSP - 1 FAP21 1-1/4 BSP
870015199	MULTI FIX GR5 2A-1D-1E	2 FAP9D 3/8 BSP - 1 FAP17 3/4 BSP - 1 FAP21 1 BSP
870016130	MULTI FIX GR5 2A-1D-1E-1EC	1 FAP9D 3/8 BSP - 1 FAP9D 1/2 BSP - 1 FAP17 1 BSP - 1 FAP21 1-1/4 BSP - 1EC6
870015261	MULTI MOBILE GR5 2A-1D-1E	2 FAP9D 1/2 BSP - 1 FAP17 1 BSP - 1 FAP21 1-1/4 BSP
870015266	MULTI MOBILE GR5 2A-1D-1E	2 FAP9D 3/8 BSP - 1 FAP17 1 BSP - 1 FAP21 1-1/4 BSP
870015284	MULTI MOBILE GR5 1D-1E-2EC	1 FAP17 3/4 BSP - 1 FAP21 1 BSP - 2EC6
870015299	MULTI MOBILE GR5 2A-1D-1E	2 FAP9D 3/8 BSP - 1 FAP17 3/4 BSP - 1 FAP21 1 BSP
870016230	MULTI MOBILE GR5 2A-1D-1E-1EC	1 FAP9D 3/8 BSP - 1 FAP9D 1/2 BSP - 1 FAP17 1 BSP - 1 FAP21 1-1/4 BSP - 1EC6

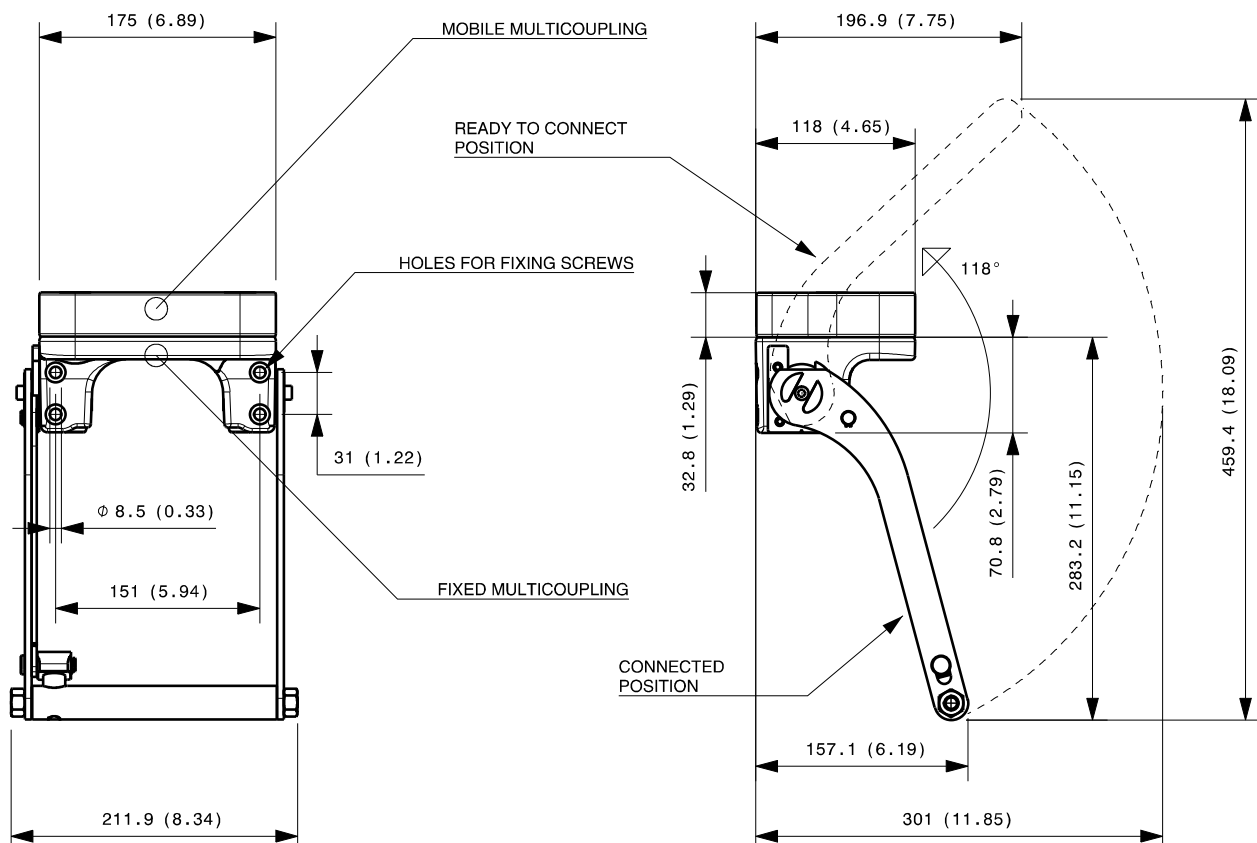
MultiCoupling spare parts (couplings not included)

Code	Name
806000316	MULTI FIX EMPTY GR5 3A-1D-1E-2EC
806000317	MULTI MOBILE EMPTY GR5 3A-1D-1E-2EC
815606260	CAP FIX MULTICOUPLING GR 175x117 V02
815606261	PARKING STATION MOBILE MULTICOUPLING GR 180x120 V02
815701055	SPARE KIT LEVER GROUP GR 250x212

Custom configurations available upon request

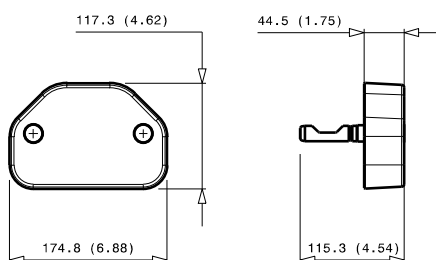
Fixed and mobile multicoupling

5,6 Kg and 2,8 Kg



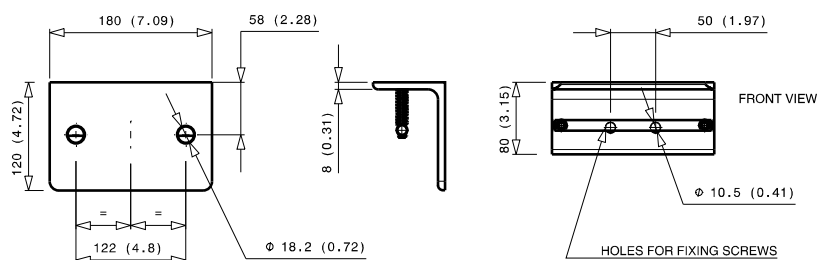
Dimensions in millimeters (inch)

Cap for fixed multicoupling 1,2 Kg



Parking station for mobile multicoupling 2,4 Kg

2,4 Kg

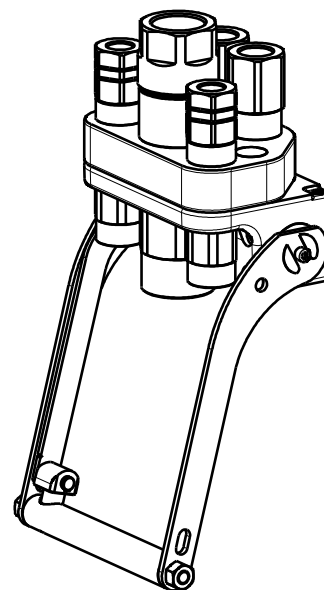


GR5 2B-2C-1E-2EC

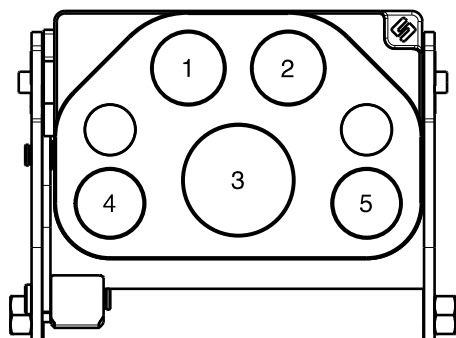
Previous description	Max. Resistance Body size	FAP9 (A) 3/8"	FAP13 (B) 1/2"	FAP15 (C) 5/8"	FAP17 (D) 3/4"	FAP21 (E) 1"	FAP30 (G) 1-1/2"
GRZ5ZN	23000 N		2	2		1	



DRAWING



CONFIGURATIONS



Possible configurations		
Pos	Coupling size	Predisposition for electrical connector
1	FAP15ZN	-
2	FAP15ZN	-
3	FAP21ZN	-
4	FAP13ZN	YES
5	FAP13ZN	YES

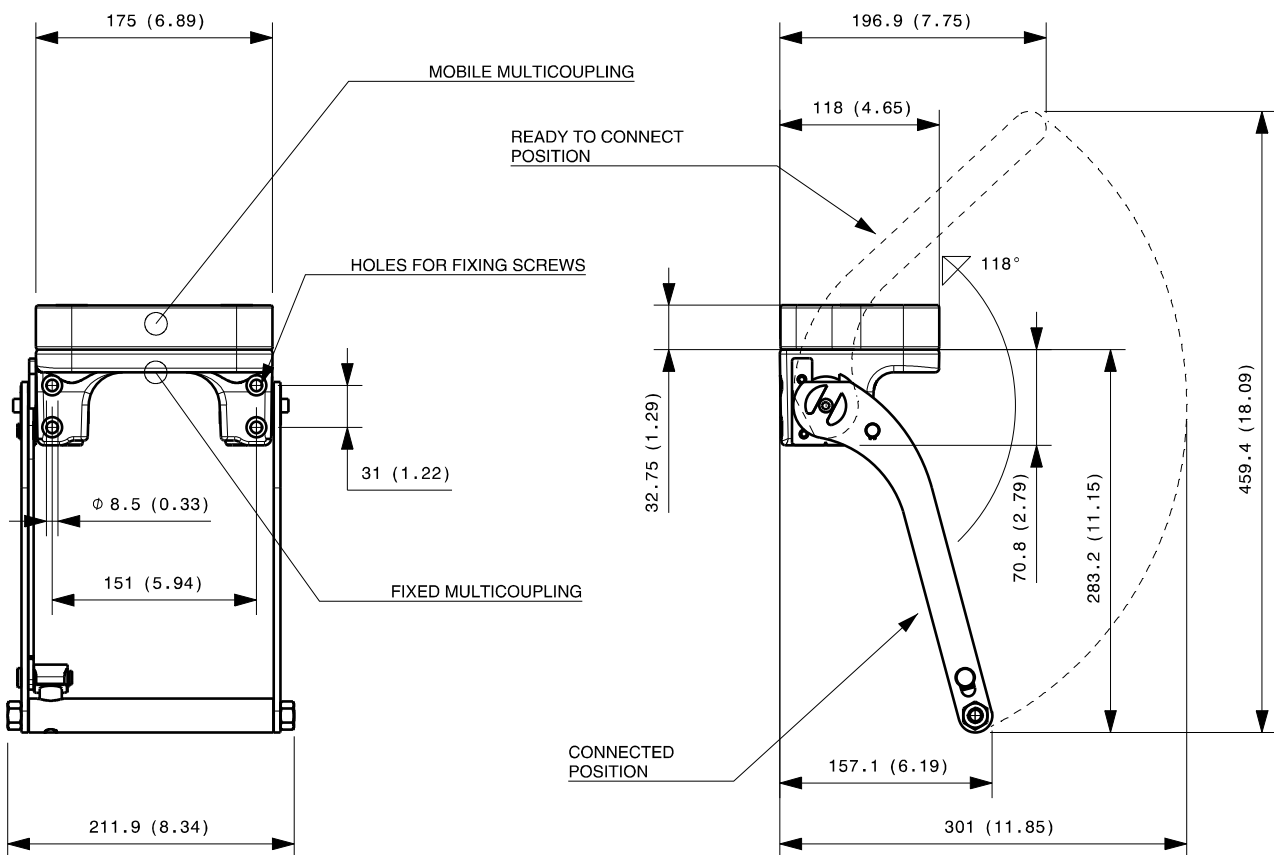
MultiCoupling (couplings included)		
Code	Name	Description
870016051	MULTI COMPLETE GR5 2B-1C-1E	2 FAP13 1/2 BSP - 1 FAP15 3/4 BSP - 1FAP21 1 BSP - CAP
870015063	MULTI COMPLETE GR5 2B-2C-1E	2 FAP13 1/2 BSP - 2 FAP15 3/4 BSP - 1 FAP21 1-1/4 BSP - CAP
870015097	MULTI COMPLETE GR5 2C-1E	2 FAP15 3/4 BSP - 1 FAP21 1 BSP - CAP
870016003	MULTI COMPLETE GR5 2C-1E	2 FAP15 3/4 BSP - 1 FAP21 1-1/4 BSP - CAP
870016012	MULTI COMPLETE GR5 2B-2C	2 FAP13 1/2 BSP - 2 FAP15 3/4 BSP - CAP
870015157	MULTI FIX GR5 1B-2C-1E	1 FAP13 1/2 BSP - 2 FAP15 3/4 BSP - 1 FAP21 1 BSP
870015257	MULTI MOBILE GR5 1B-2C-1E	1 FAP13 1/2 BSP - 2 FAP15 3/4 BSP - 1 FAP21 1 BSP
870016258	MULTI MOBILE GR5 1B-1C-1E	1 FAP13 1/2 BSP - 1 FAP15 3/4 BSP - 1 FAP21 1 BSP
870016257	MULTI MOBILE GR5 1C-1E	1 FAP15 3/4 BSP - 1 FAP21 1 BSP

MultiCoupling spare parts (couplings not included)	
Code	Name
806000314	MULTI FIX EMPTY GR5 2B-2C-1E
806000315	MULTI MOBILE EMPTY GR5 2B-2C-1E
815606260	CAP FIX MULTICOUPLING GR 175x117 V02
815606261	PARKING STATION MOBILE MULTICOUPLING GR 180x120 V02
815701055	SPARE KIT LEVER GROUP GR 250x212

Custom configurations available upon request

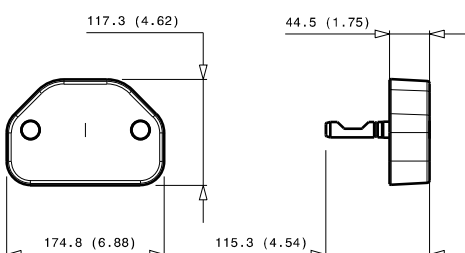
Fixed and mobile multicoupling

5,5 Kg and 2,6 Kg

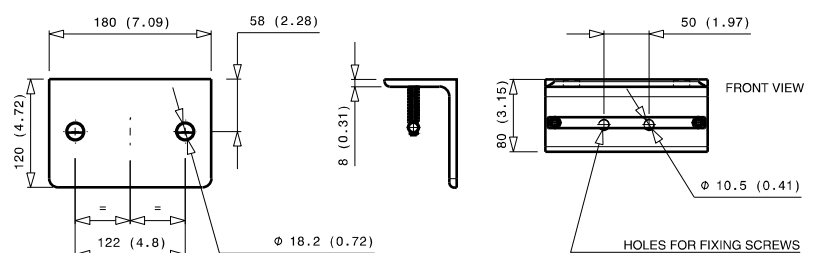


Dimensions in millimeters (inch)

Cap for fixed multicoupling 1,2 Kg



Parking station for mobile multicoupling 2,4 Kg

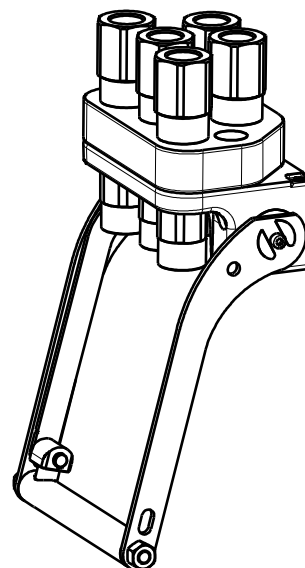


GR5 5C

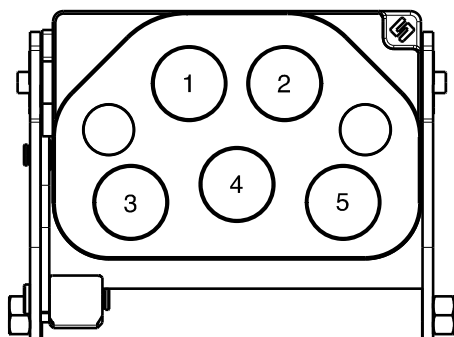
Previous description	Max. Resistance	FAP9 (A)	FAP13 (B)	FAP15 (C)	FAP17 (D)	FAP21 (E)	FAP30 (G)
Body size		3/8"	1/2"	5/8"	3/4"	1"	1-1/2"
GR5-15ZN	23000 N			5			



DRAWING



CONFIGURATIONS



Possible configurations		
Pos	Coupling size	Predisposition for electrical connector
1	FAP15ZN	-
2	FAP15ZN	-
3	FAP15ZN	*
4	FAP15ZN	-
5	FAP15ZN	*

* upon request

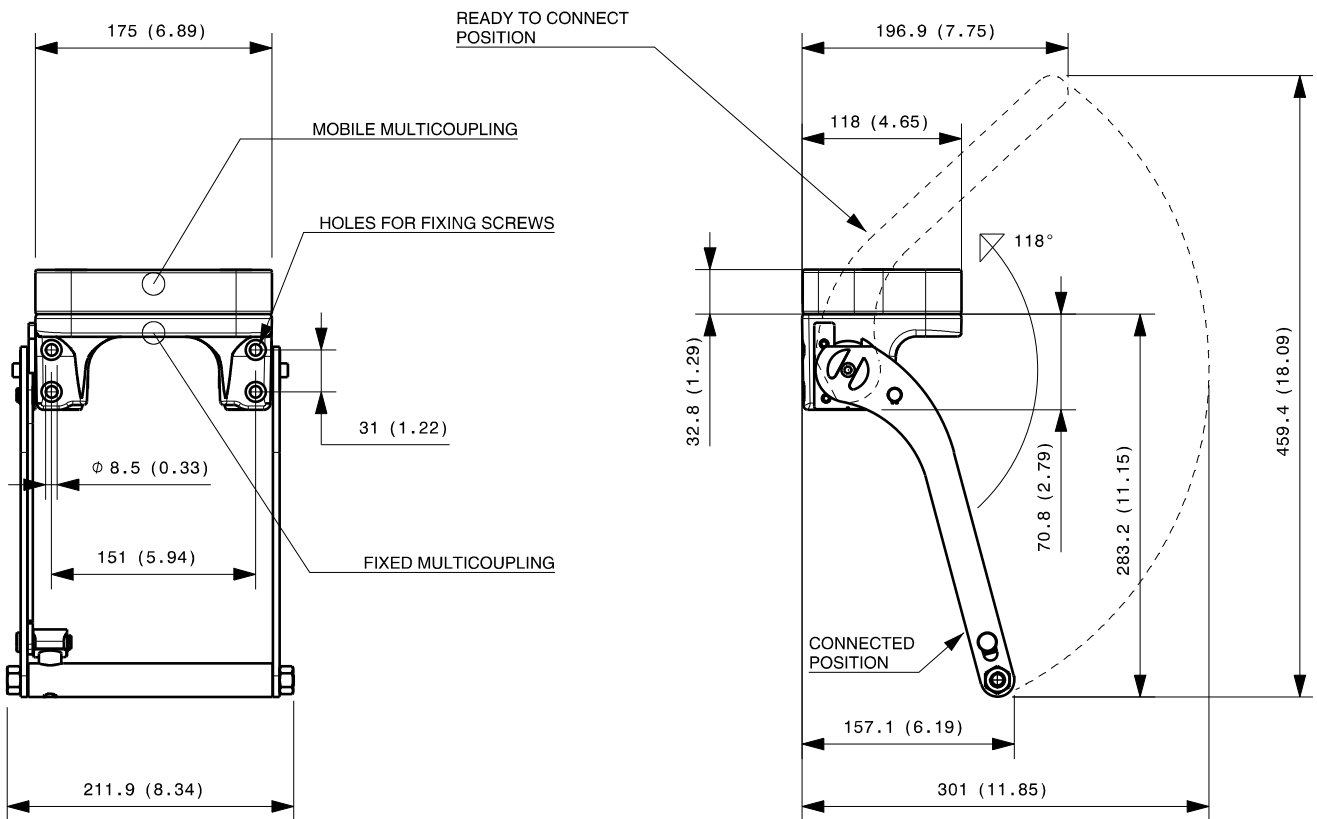
MultiCoupling (couplings included)		
Code	Name	Description
870016010	MULTI COMPLETE GR5 5C	5 FAP15 3/4 BSP - CAP
870016110	MULTI FIX GR5 5C	5 FAP15 3/4 BSP
870016210	MULTI MOBILE GR5 5C	5 FAP15 3/4 BSP

MultiCoupling spare parts (couplings not included)		
Code	Name	
806000326	MULTI FIX EMPTY GR5 5C	
806000327	MULTI MOBILE EMPTY GR5 5C	
815606260	CAP FIX MULTICOUPLING GR 175x117 V02	
815606261	PARKING STATION MOBILE MULTICOUPLING GR 180x120 V02	
815701055	SPARE KIT LEVER GROUP GR 250x212	

Custom configurations available upon request

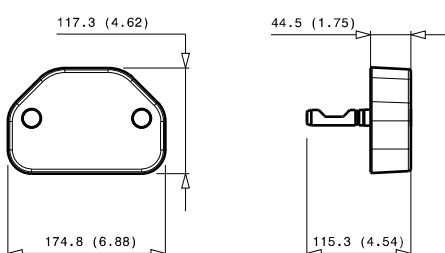
Fixed and mobile multicoupling

5,6 Kg and 2,8 Kg

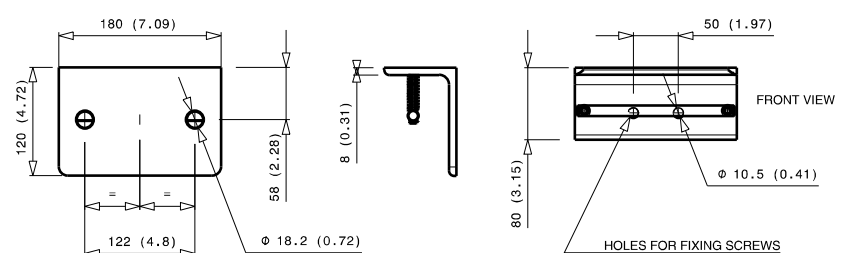


Dimensions in millimeters (inch)

Cap for fixed multicoupling 1,2 Kg



Parking station for mobile multicoupling 2,4 Kg

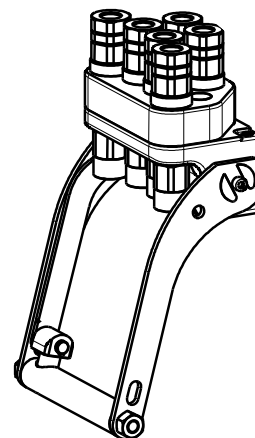


GR6 6A-2EC

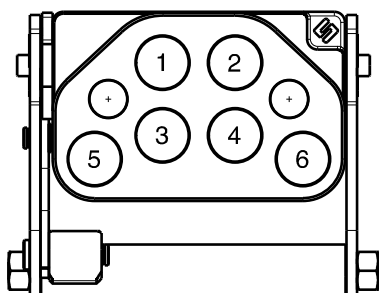
Previous description	Max. Resistance Body size	FAP9 (A) 3/8"	FAP13 (B) 1/2"	FAP15 (C) 5/8"	FAP17 (D) 3/4"	FAP21 (E) 1"	FAP30 (G) 1-1/2"
GR6-9ZN	18000 N	6	A				



DRAWING



CONFIGURATIONS



Possible configurations		
Pos	Coupling size	Predisposition for electrical connector
1	FAP9AZN	-
2	FAP9AZN	-
3	FAP9AZN	-
4	FAP9AZN	-
5	FAP9AZN	YES
6	FAP9AZN	YES

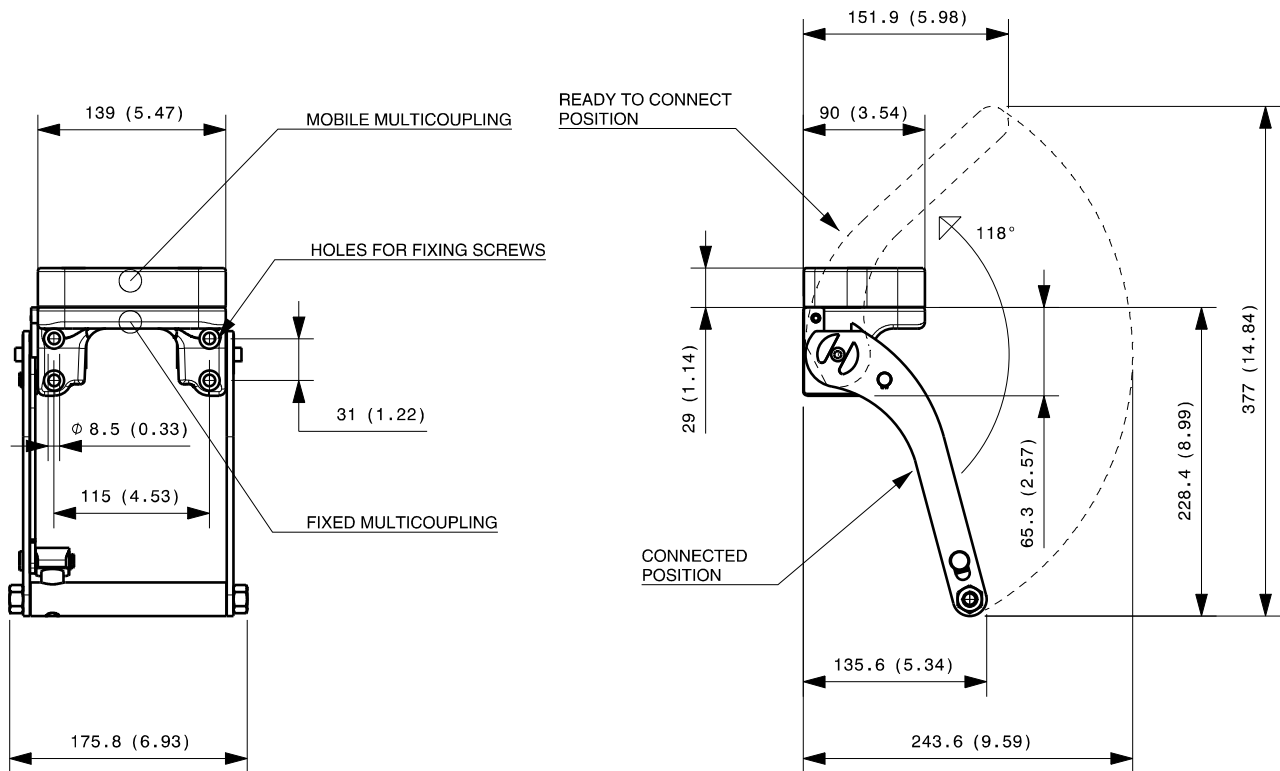
MultiCoupling (couplings included)		
Code	Name	Description
870000074	MULTI COMPLETE GR6 5A	5 FAP9A 3/8 BSP - CAP
870000075	MULTI COMPLETE GR6 6A	6 FAP9A 1/2 BSP - CAP
870000079	MULTI COMPLETE GR6 6A	6 FAP9A 3/8 BSP - CAP
870000080	MULTI COMPLETE GR6 4A	4 FAP9A 1/2 BSP - CAP
870000081	MULTI COMPLETE GR6 4A-2EC	4 FAP9A L15 - 2EC7 - CAP
870000086	MULTI COMPLETE GR6 4A-1EC	4 FAP9A 1/2 NPT - 1EC7 - CAP
870015096	MULTI COMPLETE GR6 5A	5 FAP9A 1/4 BSP - CAP
870000172	MULTI FIX GR6 2A	2 FAP9A 3/8 BSP
870000174	MULTI FIX GR6 5A	5 FAP9A 3/8 BSP
870000179	MULTI FIX GR6 6A	6 FAP9A 3/8 BSP
870000180	MULTI FIX GR6 4A	4 FAP9A 1/2 BSP
870000185	MULTI FIX GR6 4A	3 FAP9A 1/4 SAE - 1 FAP9A 3/8 SAE
870000187	MULTI FIX GR6 6A	6 FAP9A 1/2 NPT
870016144	MULTI FIX GR6 4A	4 FAP9A 3/8 BSP
870000273	MULTI MOBILE GR6 5A	5 FAP9A 3/8 BSP
870000275	MULTI MOBILE GR6 6A	6 FAP9A 1/2 BSP
870000279	MULTI MOBILE GR6 6A	6 FAP9A 3/8 BSP
870000280	MULTI MOBILE GR6 4A	4 FAP9A 1/2 BSP
870000285	MULTI MOBILE GR6 4A	3 FAP9A 1/4 SAE - 1 FAP9A 3/8 SAE
870000287	MULTI MOBILE GR6 6A	6 FAP9A 1/2 NPT

MultiCoupling spare parts (couplings not included)	
Code	Name
806000262	MULTI FIX EMPTY GR6 6A-2EC
806000263	MULTI MOBILE EMPTY GR6 6A-2EC
815606248	CAP FIX MULTICOUPLING GR 139x90
815606249	PARKING STATION MOBILE MULTICOUPLING GR 140x100
815701052	SPARE KIT LEVER GROUP GR 200x176

Custom configurations available upon request

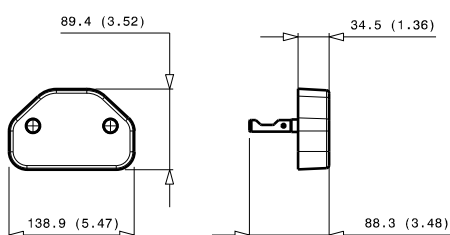
Fixed and mobile multicoupling

3,7 Kg and 1,5 Kg

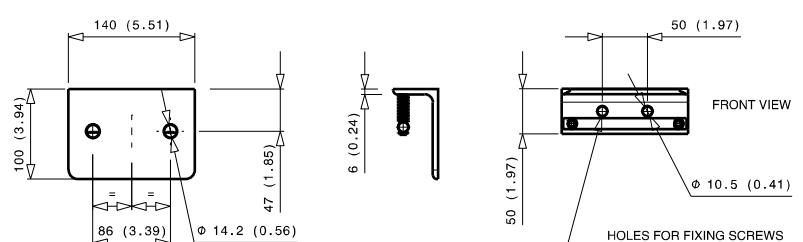


Dimensions in millimeters (inch)

Cap for fixed multicoupling 0,6 Kg



Parking station for mobile multicoupling 1,1 Kg

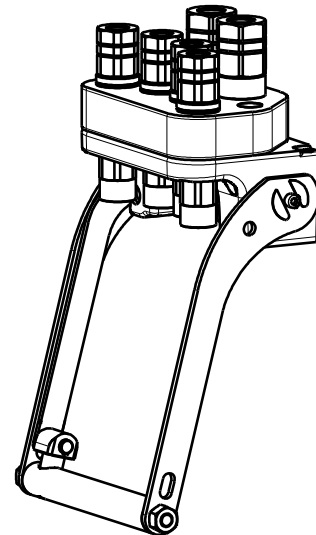


GR6 4A-2B-2EC

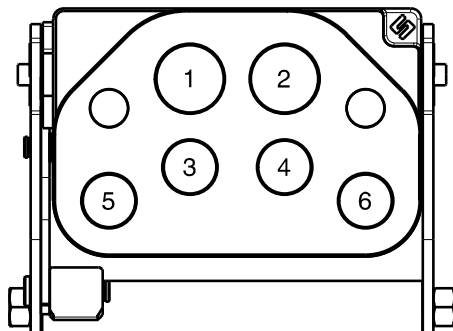
Previous description	Max. Resistance	FAP9 (A)	FAP13 (B)	FAP15 (C)	FAP17 (D)	FAP21 (E)	FAP30 (G)
Body size		3/8"	1/2"	5/8"	3/4"	1"	1-1/2"
GRT6ZN	23000 N	4 D	2				



DRAWING



CONFIGURATIONS



Possible configurations		
Pos	Coupling size	Predisposition for electrical connector
1	FAP13ZN	-
2	FAP13ZN	-
3	FAP9DZN	-
4	FAP9DZN	-
5	FAP9DZN	YES
6	FAP9DZN	YES

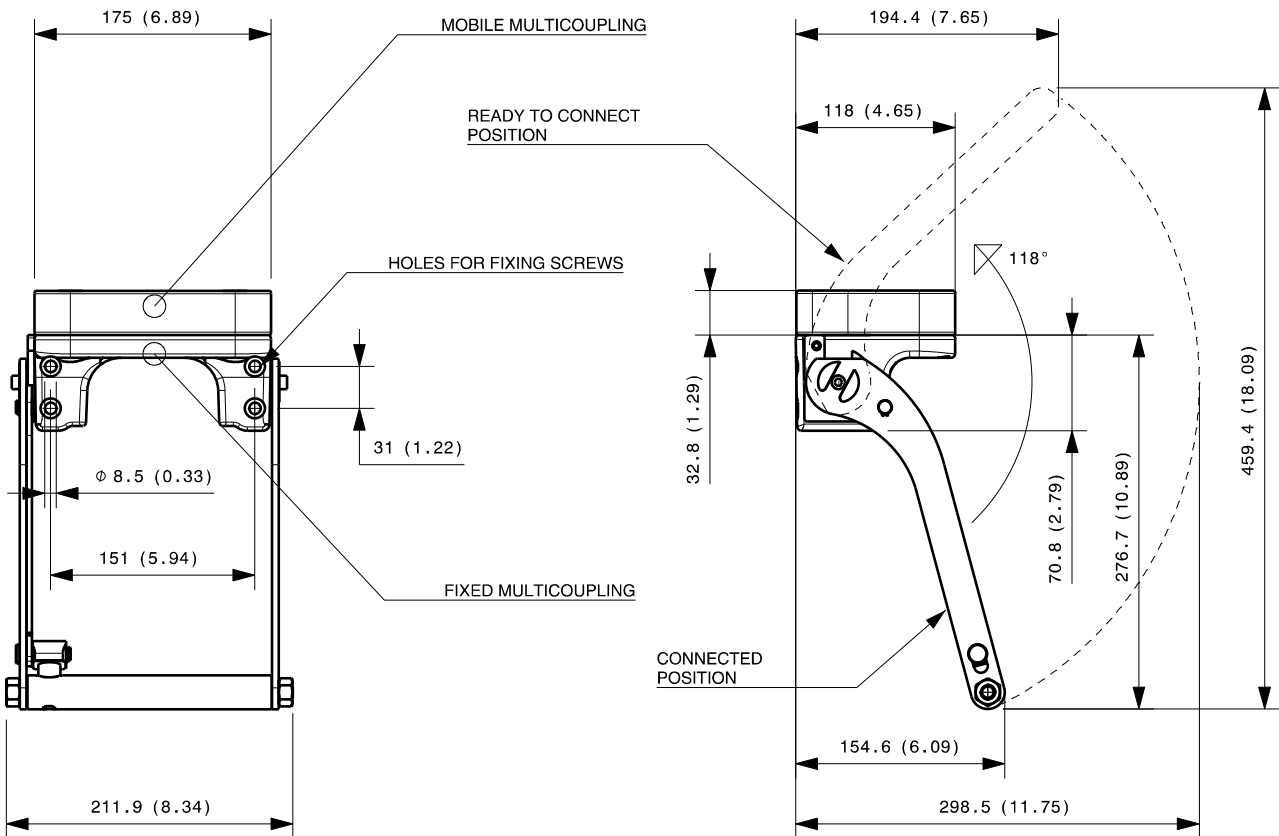
MultiCoupling (couplings included)		
Code	Name	Description
870015064	MULTI COMPLETE GR6 4A-2B	4 FAP9D 1/2 BSP - 2 FAP13 3/4 BSP - CAP
870016002	MULTI COMPLETE GR6 4A-2B	4 FAP9D 3/8 BSP - 2 FAP13 3/4 BSP - CAP
870016032	MULTI COMPLETE GR6 2A 2B	2 FAP9D 3/8 BSP - 2 FAP13 1/2 BSP - CAP
870016034	MULTI COMPLETE GR6 2A-2B-2EC	2 FAP9D 3/8 BSP - 2 FAP13 1/2 BSP - 2 EC6 - CAP
870016013	MULTI COMPLETE GR6 4A-1B	4 FAP9DZ 1/4 BSP - 1 FAP13ZN 1/2 BSP
870015190	MULTI FIX GR6 4A-2B	4 FAP9D 3/8 BSP - 1 FAP13 1/2 BSP - 1 FAP13 3/4 BSP
870016132	MULTI FIX GR6 2A 2B	2 FAP9D 3/8 BSP - 2 FAP13 1/2 BSP
870016134	MULTI FIX GR6 2A-2B-2EC	2 FAP9D 3/8 BSP - 2 FAP13 1/2 BSP - 2 EC6
870015290	MULTI MOBILE GR6 4A-2B	4 FAP9D 3/8 BSP - 1 FAP13 1/2 BSP - 1 FAP13 3/4 BSP
870016232	MULTI MOBILE GR6 2A 2B	2 FAP9D 3/8 BSP - 2 FAP13 1/2 BSP
870016234	MULTI MOBILE GR6 2A-2B-2EC	2 FAP9D 3/8 BSP - 2 FAP13 1/2 BSP - 2 EC6

MultiCoupling spare parts (couplings not included)	
Code	Name
806000294	MULTI FIX EMPTY GR6 4A-2B-2EC
806000295	MULTI MOBILE EMPTY GR6 4A-2B-2EC
815606256	CAP FIX MULTICOUPLING GR 175x117
815606257	PARKING STATION MOBILE MULTICOUPLING GR 180x120
815700999	SPARE KIT LEVER GROUP GR 250x212

Custom configurations available upon request

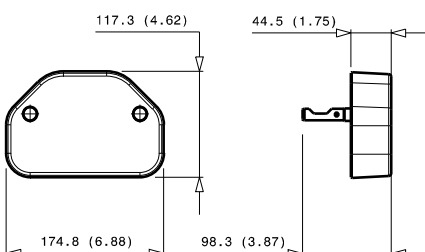
Fixed and mobile multicoupling

5,9 Kg and 2,8 Kg



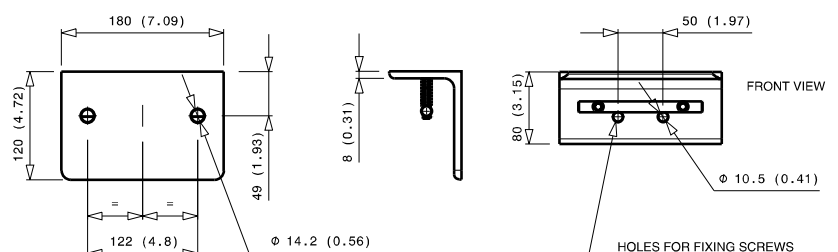
Dimensions in millimeters (inch)

Cap for fixed multicoupling 1,1 Kg



Parking station for mobile multicoupling 2,2 Kg

2,2 Kg



GR6 4B-2D-4EC

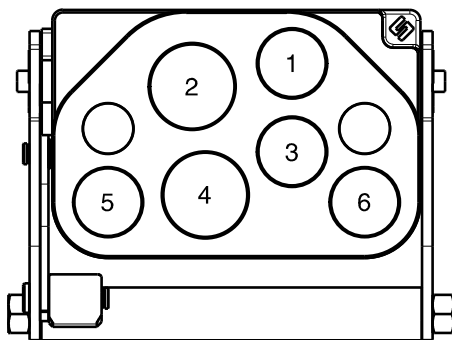
Previous description	Max. Resistance Body size	FAP9 (A) 3/8"	FAP13 (B) 1/2"	FAP15 (C) 5/8"	FAP17 (D) 3/4"	FAP21 (E) 1"	FAP30 (G) 1-1/2"
GR6ABZN	23000 N		4		2		



DRAWING



CONFIGURATIONS



Possible configurations		
Pos	Coupling size	Predisposition for electrical connector
1	FAP13ZN	YES
2	FAP17ZN	-
3	FAP13ZN	YES
4	FAP17ZN	-
5	FAP13ZN	YES
6	FAP13ZN	YES

MultiCoupling (couplings included)		
Code	Name	Description
870015073	MULTI COMPLETE GR6 4B-2D	4 FAP13 1/2 BSP - 2 FAP17 3/4 BSP - CAP
870016031	MULTI COMPLETE GR6 2B 2D 2EC	2 FAP13 1/2 BSP - 2 FAP17 1 BSP - 2EC7 - CAP
870016036	MULTI COMPLETE GR6 4B-2D	2 FAP13 1/2 BSP - 2 FAP13 3/4 BSP - 1 FAP17 3/4 BSP - 1 FAP17 1 BSP - CAP
870015173	MULTI FIX GR6 4B-2D	4 FAP13 1/2 BSP - 2 FAP17 3/4 BSP
870016131	MULTI FIX GR6 2B 2D 2EC	2 FAP13 1/2 BSP - 2 FAP17 1 BSP - 2EC7
870016149	MULTI FIX GR6 4B-2D	2 FAP13 1/2 BSP - 2 FAP13 3/4 BSP - 2 FAP17 1 BSP
870015273	MULTI MOBILE GR6 4B-2D	4 FAP13 1/2 BSP - 2 FAP17 3/4 BSP
870016231	MULTI MOBILE GR6 2B 2D 2EC	2 FAP13 1/2 BSP - 2 FAP17 1 BSP - 2EC7
870016249	MULTI MOBILE GR6 4B-2D	2 FAP13 1/2 BSP - 2 FAP13 3/4 BSP - 2 FAP17 1 BSP

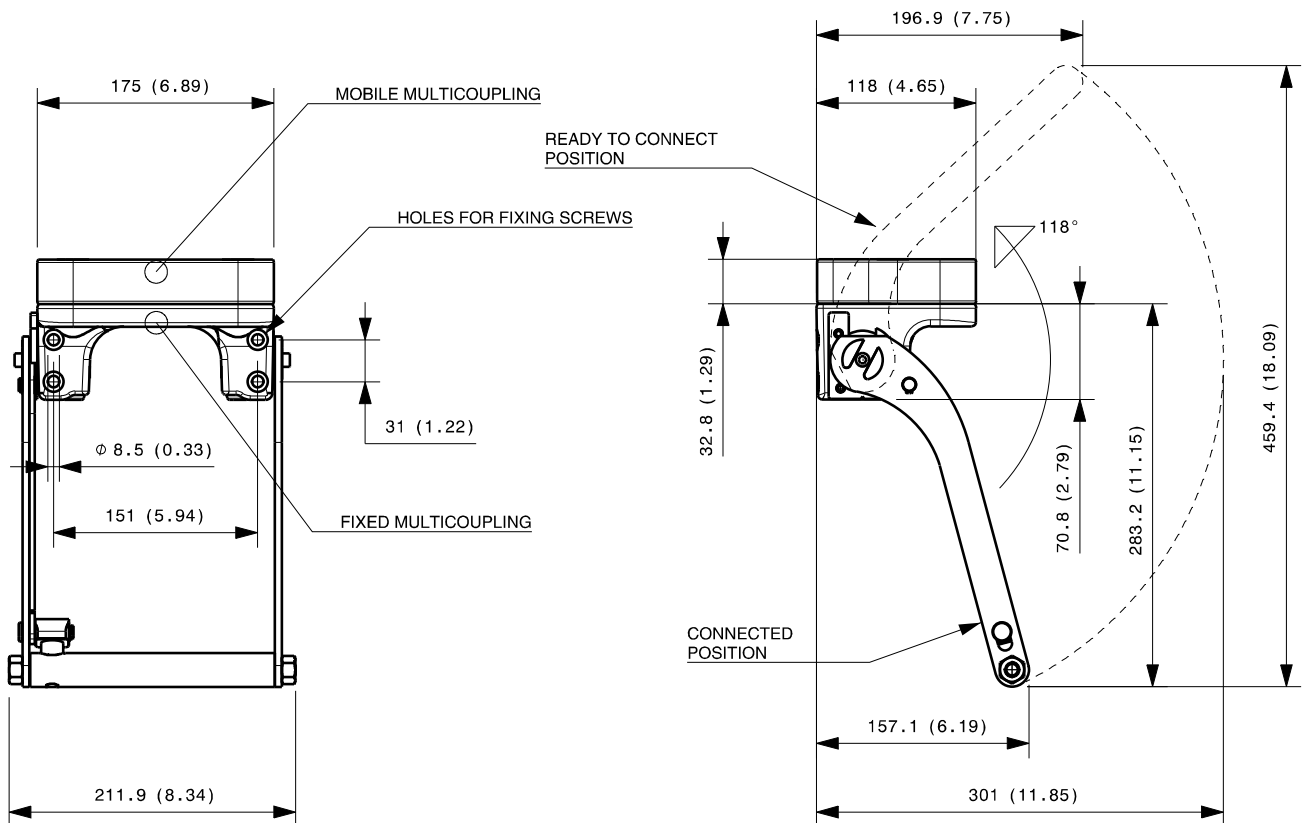
MultiCoupling spare parts (couplings not included)	
Code	Name
80600322	MULTI FIX EMPTY GR6 4B-2D-4EC
80600323	MULTI MOBILE EMPTY GR6 4B-2D-4EC
815606260	CAP FIX MULTICOUPLING GR 175x117 V02
815606261	PARKING STATION MOBILE MULTICOUPLING GR 180x120 V02
815701055	SPARE KIT LEVER GROUP GR 250x212

Custom configurations available upon request

Fixed and mobile multicoupling

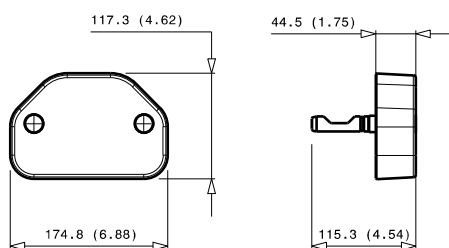
5,4 Kg and 2,6 Kg

GR



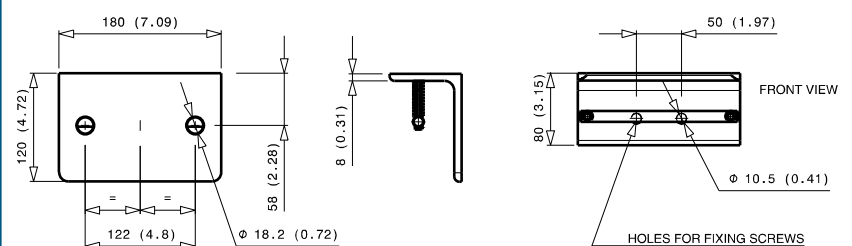
Dimensions in millimeters (inch)

Cap for fixed multicoupling 1,2 Kg



Parking station for mobile multicoupling 2,4 Kg

2,4 Kg

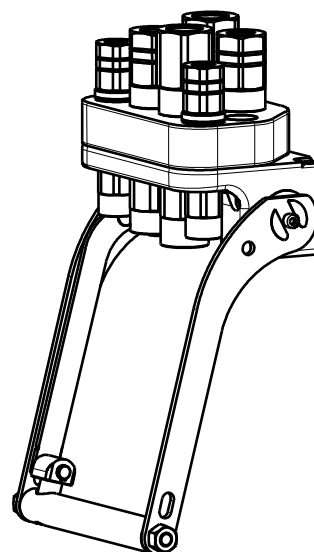


GR6 2A-2B-2C-2EC

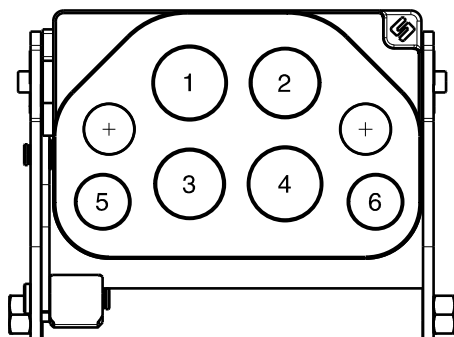
Previous description	Max. Resistance Body size	FAP9 (A) 3/8"	FAP13 (B) 1/2"	FAP15 (C) 5/8"	FAP17 (D) 3/4"	FAP21 (E) 1"	FAP30 (G) 1-1/2"
GRM6MCZN	23000 N	2 D	2	2			



DRAWING



CONFIGURATIONS



Possible configurations		
Pos	Coupling size	Predisposition for electrical connector
1	FAP15ZN	-
2	FAP13ZN	-
3	FAP13ZN	-
4	FAP15ZN	-
5	FAP9DZN	YES
6	FAP9DZN	YES

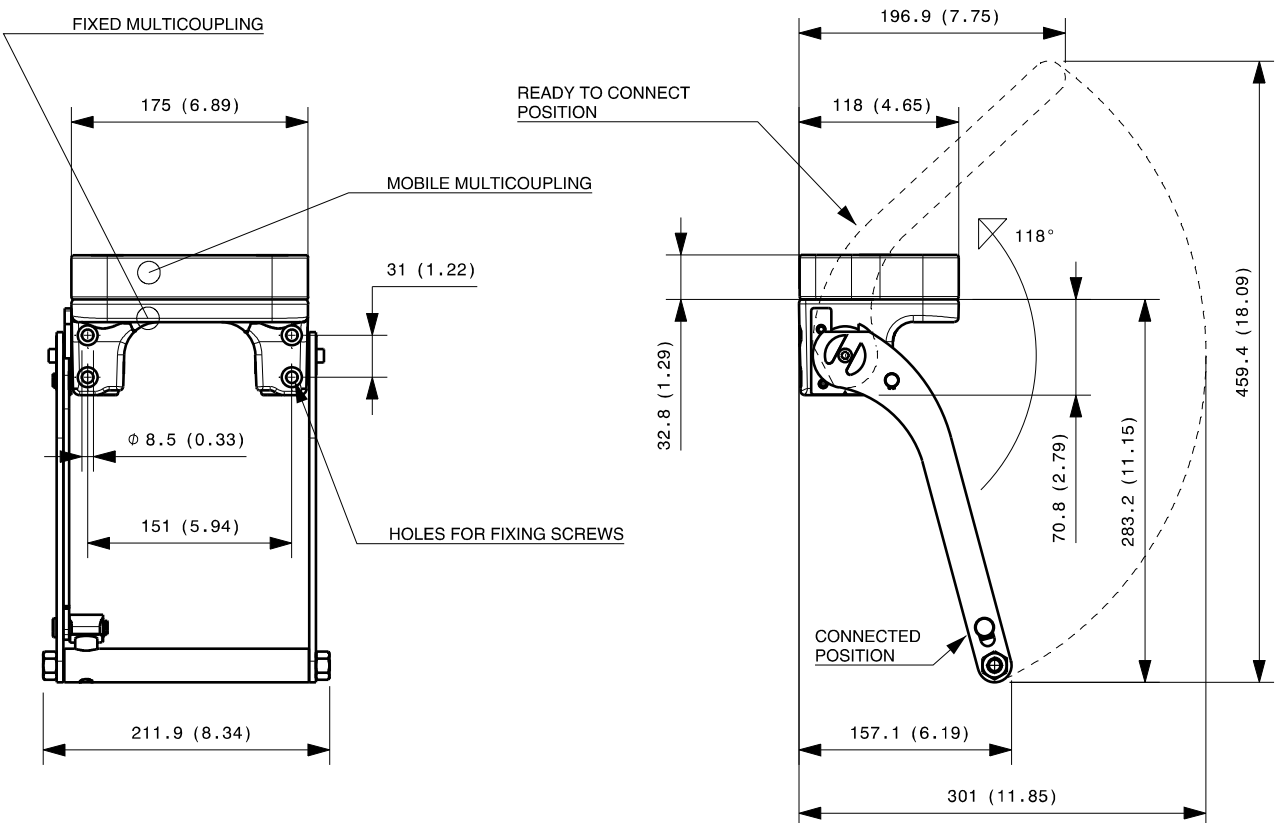
MultiCoupling (couplings included)		
Code	Name	Description
870016016	MULTI COMPLETE GR6 2A-2B-2C	2 FAP9D 3/8 BSP - 2 FAP13 1/2 BSP - 2 FAP15 3/4 BSP - CAP
870016028	MULTI COMPLETE GR6 1A-2B-2C	1 FAP9D 3/8 BSP - 2 FAP13 1/2 BSP - 2 FAP15 3/4 BSP - CAP
870016116	MULTI FIX GR6 2A-2B-2C	2 FAP9D 3/8 BSP - 2 FAP13 1/2 BSP - 2 FAP15 3/4 BSP
870016128	MULTI FIX GR6 1A-2B-2C	1 FAP9D 3/8 BSP - 2 FAP13 1/2 BSP - 2 FAP15 3/4 BSP
870016135	MULTI FIX GR6 1A-2B-2C	1 FAP9D 1/2 BSP - 2 FAP13 1/2 BSP - 2 FAP15 3/4 BSP
870016216	MULTI MOBILE GR6 2A-2B-2C	2 FAP9D 3/8 BSP - 2 FAP13 1/2 BSP - 2 FAP15 3/4 BSP
870016228	MULTI MOBILE GR6 1A-2B-2C	1 FAP9D 3/8 BSP - 2 FAP13 1/2 BSP - 2 FAP15 3/4 BSP
870016235	MULTI MOBILE GR6 1A-2B-2C	1 FAP9D 1/2 BSP - 2 FAP13 1/2 BSP - 2 FAP15 3/4 BSP

MultiCoupling spare parts (couplings not included)	
Code	Name
806000318	MULTI FIX EMPTY GR6 2A-2B-2C-2EC
806000319	MULTI MOBILE EMPTY GR6 2A-2B-2C-2EC
815606260	CAP FIX MULTICOUPLING GR 175x117 V02
815606261	PARKING STATION MOBILE MULTICOUPLING GR 180x120 V02
815701055	SPARE KIT LEVER GROUP GR 250x212

Custom configurations available upon request

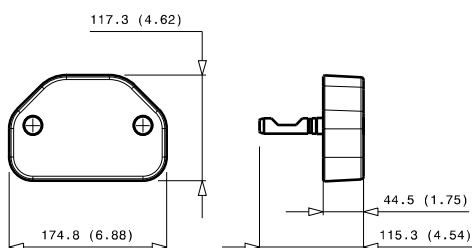
Fixed and mobile multicoupling

5,7 Kg and 2,9 Kg

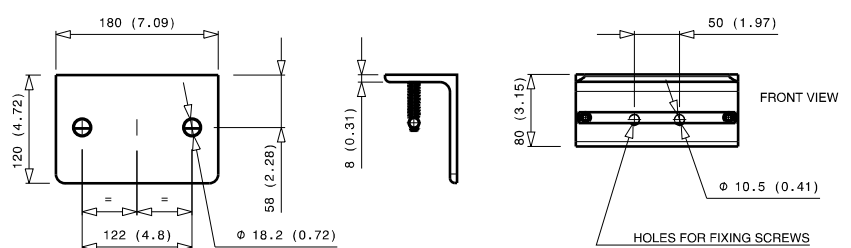


Dimensions in millimeters (inch)

Cap for fixed multicoupling 1,2 Kg



Parking station for mobile multicoupling 2,4 Kg

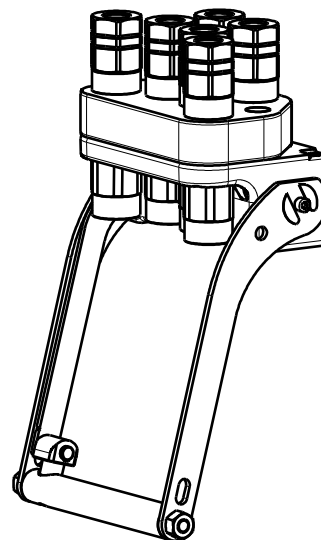


GR6 6B-2EC

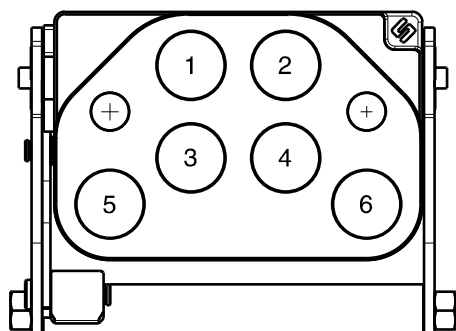
Previous description	Max. Resistance	FAP9 (A)	FAP13 (B)	FAP15 (C)	FAP17 (D)	FAP21 (E)	FAP30 (G)
Body size		3/8"	1/2"	5/8"	3/4"	1"	1-1/2"
GR6-13ZN	23000 N		6				



DRAWING



CONFIGURATIONS



Possible configurations		
Pos	Coupling size	Predisposition for electrical connector
1	FAP13ZN	-
2	FAP13ZN	-
3	FAP13ZN	-
4	FAP13ZN	-
5	FAP13ZN	YES
6	FAP13ZN	YES

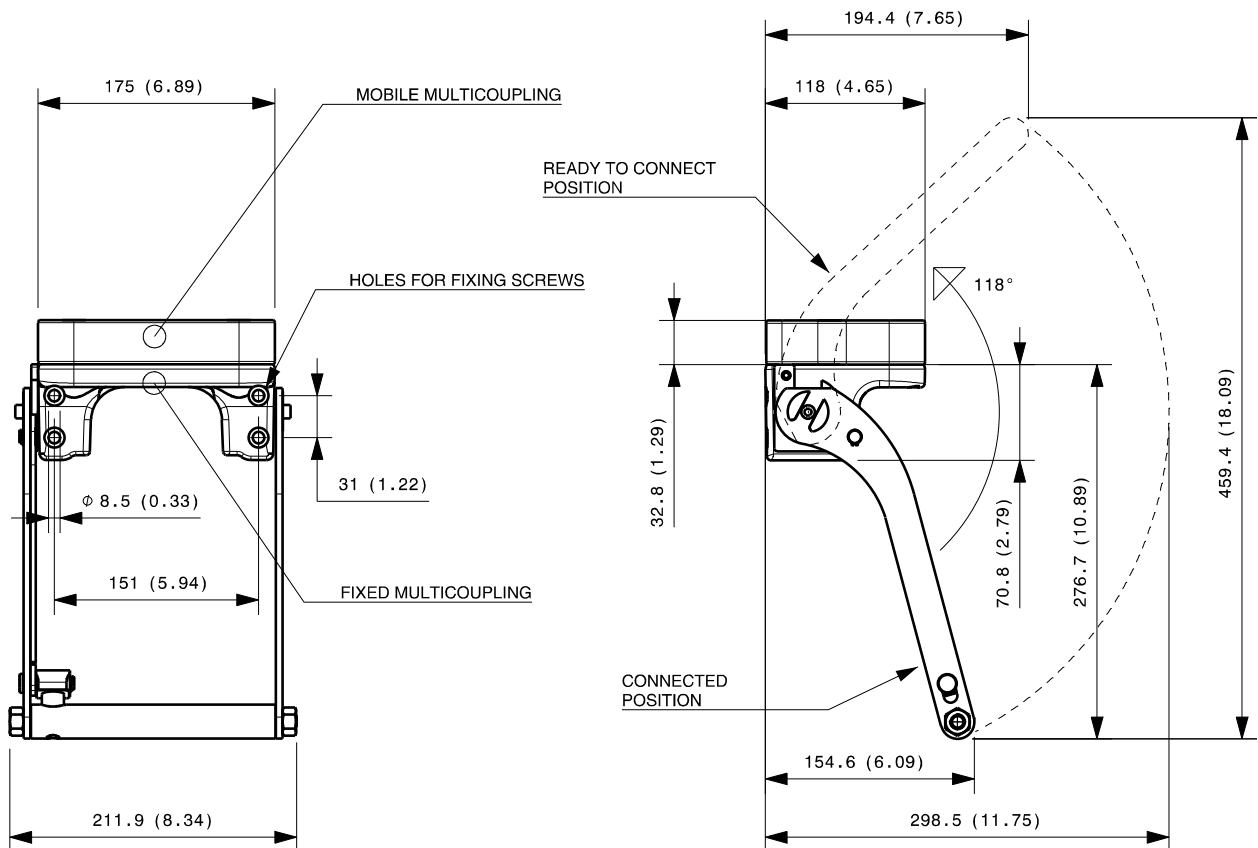
MultiCoupling (couplings included)		
Code	Name	Description
870002030	MULTI COMPLETE GR6 6B	6 FAP13 3/4 BSP - CAP
870002031	MULTI COMPLETE GR6 6B	6 FAP13 1/2 BSP - CAP
870002130	MULTI FIX GR6 6B	6 FAP13 3/4 BSP
870002131	MULTI FIX GR6 6B	6 FAP13 1/2 BSP
870002209	MULTI MOBILE GR6 2B	2 FAP13 3/4 BSP
870002230	MULTI MOBILE GR6 6B	6 FAP13 3/4 BSP
870002231	MULTI MOBILE GR6 6B	6 FAP13 1/2 BSP

MultiCoupling spare parts (couplings not included)		
Code	Name	Description
806000292	MULTI FIX EMPTY GR6 6B-2EC	
806000293	MULTI MOBILE EMPTY GR6 6B-2EC	
815606256	CAP FIX MULTICOUPLING GR 175x117	
815606257	PARKING STATION MOBILE MULTICOUPLING GR 180x120	
815700999	SPARE KIT LEVER GROUP GR 250x212	

Custom configurations available upon request

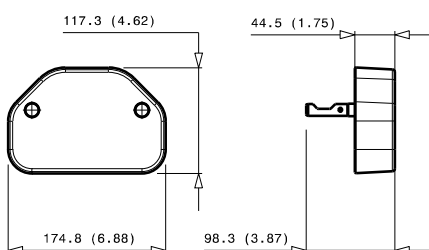
Fixed and mobile multicoupling

5,8 Kg and 2,7 Kg

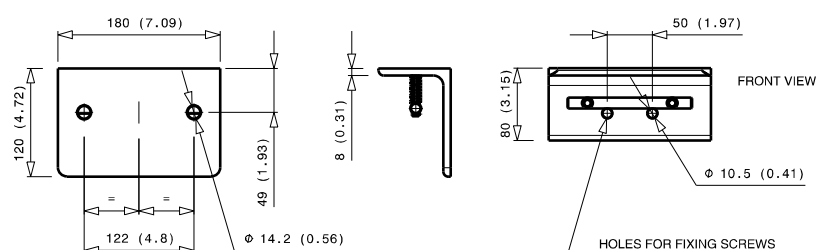


Dimensions in millimeters (inch)

Cap for fixed multicoupling 1,1 Kg



Parking station for mobile multicoupling 2,2 Kg

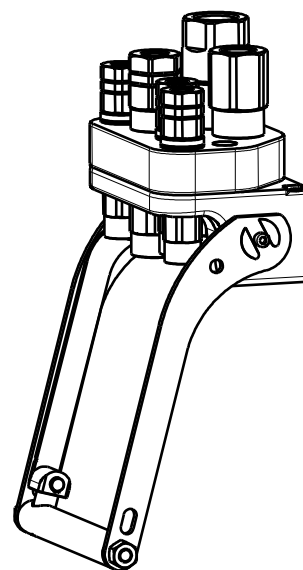


GR6 3A-1B-1C-1D-2EC

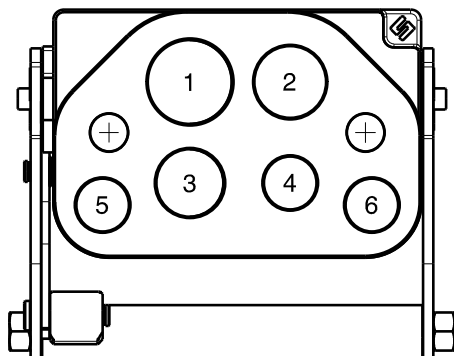
Previous description	Max. Resistance Body size	FAP9 (A) 3/8"	FAP13 (B) 1/2"	FAP15 (C) 5/8"	FAP17 (D) 3/4"	FAP21 (E) 1"	FAP30 (G) 1-1/2"
GRC6ZN	23000 N	3 D	1	1	1		



DRAWING



CONFIGURATIONS



Possible configurations		
Pos	Coupling size	Predisposition for electrical connector
1	FAP17ZN	-
2	FAP15ZN	-
3	FAP13ZN	-
4	FAP9DZN	-
5	FAP9DZN	YES
6	FAP9DZN	YES

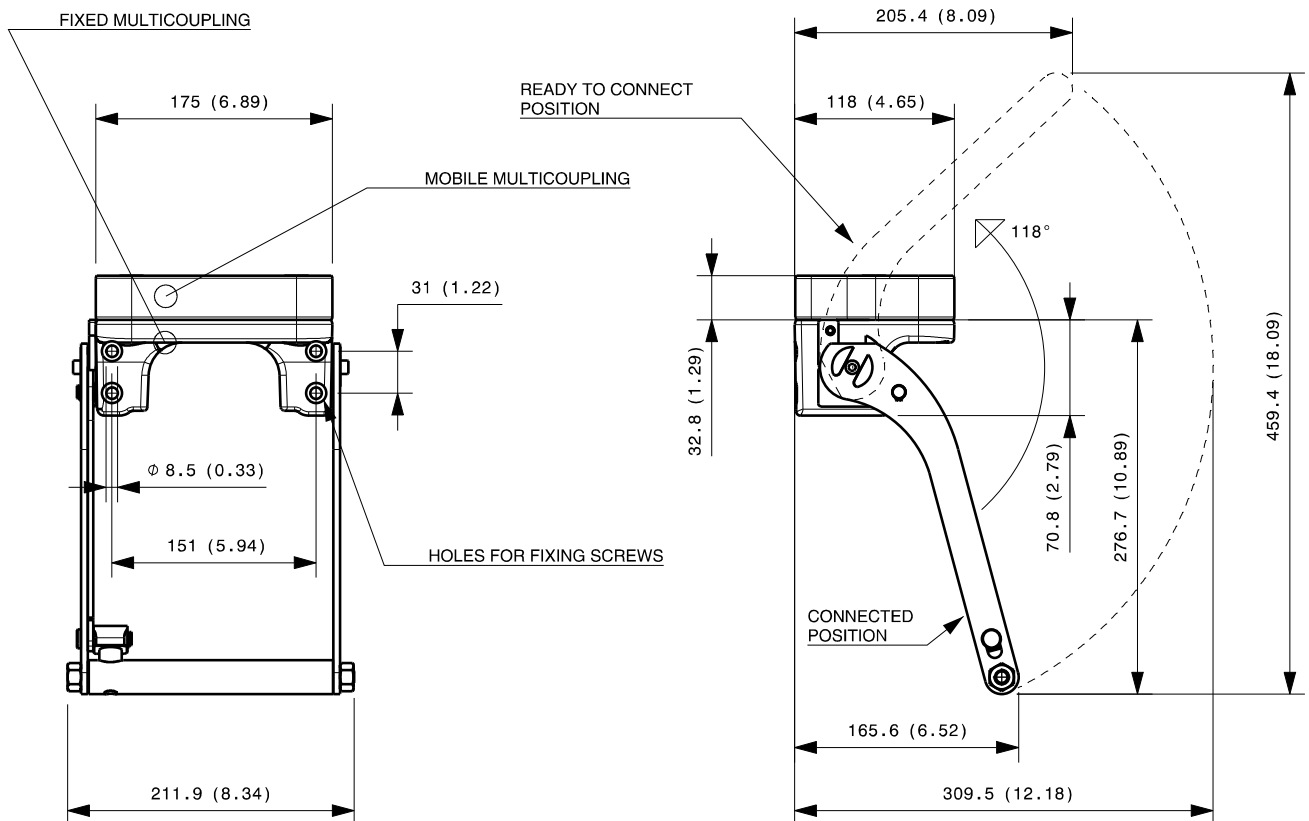
MultiCoupling (couplings included)		
Code	Name	Description
870016017	MULTI COMPLETE GR6 3A-1B-1C-1D	3 FAP9D 3/8 BSP - 1 FAP13 1/2 BSP - 1 FAP15 3/4 BSP - 1 FAP17 1 BSP - CAP
870016117	MULTI FIX GR6 3A-1B-1C-1D	3 FAP9D 3/8 BSP - 1 FAP13 1/2 BSP - 1 FAP15 3/4 BSP - 1 FAP17 1 BSP
870016123	MULTI FIX GR6 3A-1B-1C-1D	3 FAP9D 3/8 SAE - 1 FAP13 1/2 SAE - 1 FAP15 3/4 SAE - 1 FAP17 1 SAE
870016217	MULTI MOBILE GR6 3A-1B-1C-1D	3 FAP9D 3/8 BSP - 1 FAP13 1/2 BSP - 1 FAP15 3/4 BSP - 1 FAP17 1 BSP
870016223	MULTI MOBILE GR6 3A-1B-1C-1D	3 FAP9D 3/8 SAE - 1 FAP13 1/2 SAE - 1 FAP15 3/4 SAE - 1 FAP17 1 SAE

MultiCoupling spare parts (couplings not included)	
Code	Name
806000296	MULTI FIX EMPTY GR6 3A-1B-1C-1D-2EC
806000297	MULTI MOBILE EMPTY GR6 3A-1B-1C-1D-2EC
815606258	CAP FIX MULTICOUPLING GR 175x117 V01
815606259	PARKING STATION MOBILE MULTICOUPLING GR 180x120 V01
815700999	SPARE KIT LEVER GROUP GR 250x212

Custom configurations available upon request

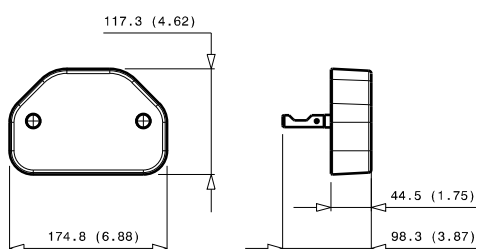
Fixed and mobile multicoupling

5,8 Kg and 2,8 Kg

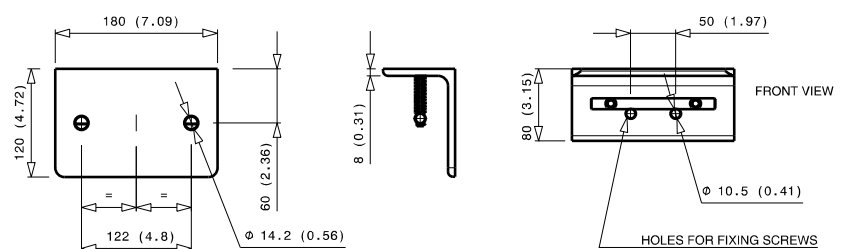


Dimensions in millimeters (inch)

Cap for fixed multicoupling 1,1 Kg



Parking station for mobile multicoupling 2,2 Kg



GR6 1A-1B-1C-2D-1EC

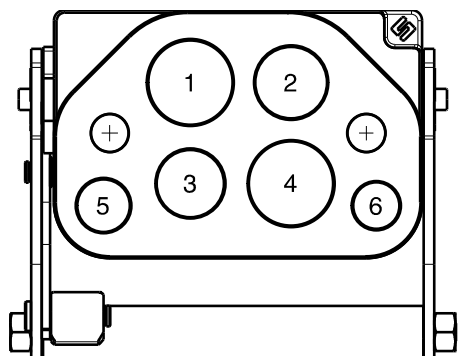
Previous description	Max. Resistance	FAP9 (A)	FAP13 (B)	FAP15 (C)	FAP17 (D)	FAP21 (E)	FAP30 (G)
Body size		3/8"	1/2"	5/8"	3/4"	1"	1-1/2"
GRP6ZN	23000 N	1 D	1	1	2		



DRAWING



CONFIGURATIONS



Possible configurations		
Pos	Coupling size	Predisposition for electrical connector
1	FAP17ZN	-
2	FAP15ZN	-
3	FAP13ZN	-
4	FAP17ZN	-
5	FAP9DZN	YES
6	PLUG	-

MultiCoupling (couplings included)

Code	Name	Description
870016018	MULTI COMPLETE GR6 1A-1B-1C-2D	1 FAP9D 3/8 BSP - 1 FAP13 1/2 BSP - 1 FAP15 3/4 BSP - 2 FAP17 1 BSP - CAP
870016118	MULTI FIX GR6 1A-1B-1C-2D	1 FAP9D 3/8 BSP - 1 FAP13 1/2 BSP - 1 FAP15 3/4 BSP - 2 FAP17 1 BSP
870016218	MULTI MOBILE GR6 1A-1B-1C-2D	1 FAP9D 3/8 BSP - 1 FAP13 1/2 BSP - 1 FAP15 3/4 BSP - 2 FAP17 1 BSP

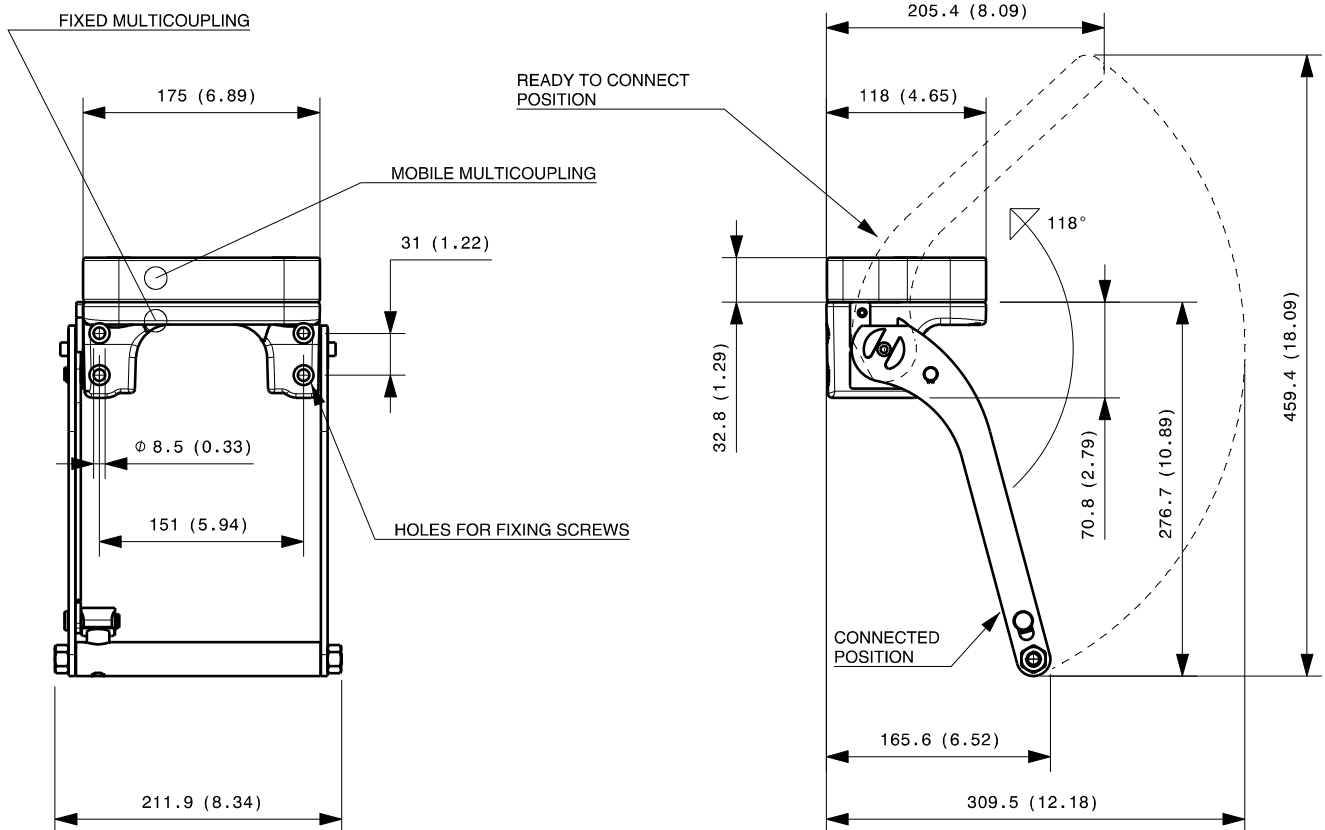
MultiCoupling spare parts (couplings not included)

Code	Name
806000298	MULTI FIX EMPTY GR6 1A-1B-1C-2D-1EC
806000299	MULTI MOBILE EMPTY GR6 1A-1B-1C-2D-1EC
815606258	CAP FIX MULTICOUPLING GR 175x117 V01
815606259	PARKING STATION MOBILE MULTICOUPLING GR 180x120 V01
815700999	SPARE KIT LEVER GROUP GR 250x212

Custom configurations available upon request

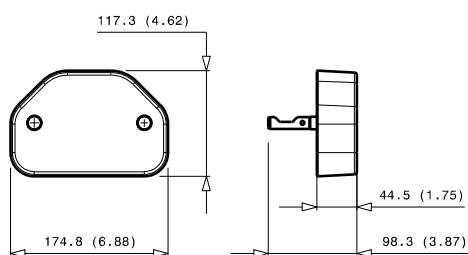
Fixed and mobile multicoupling

5,7 Kg and 2,6 Kg



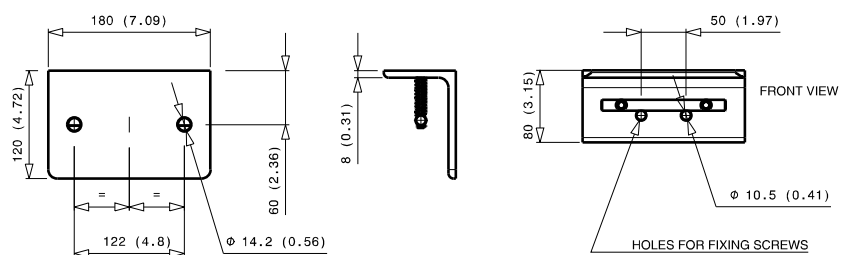
Dimensions in millimeters (inch)

Cap for fixed multicoupling 1,1 Kg



Parking station for mobile multicoupling 2,2 Kg

2,2 Kg

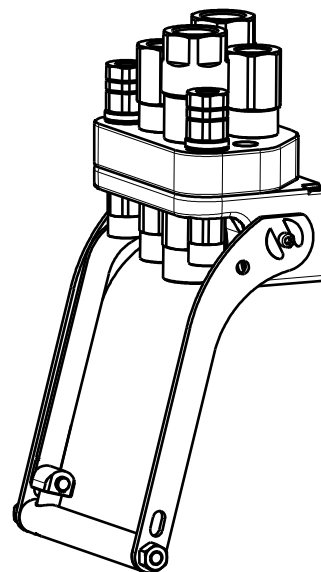


GR6 2A-2C-2D-2EC

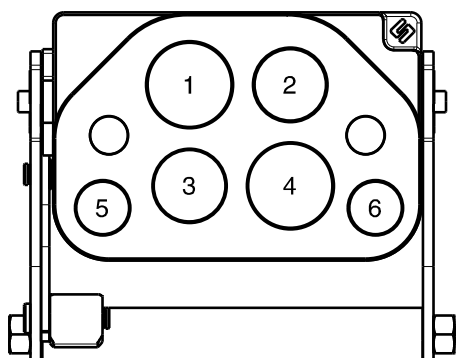
Previous description	Max. Resistance Body size	FAP9 (A) 3/8"	FAP13 (B) 1/2"	FAP15 (C) 5/8"	FAP17 (D) 3/4"	FAP21 (E) 1"	FAP30 (G) 1-1/2"
GRM6ZN	23000 N	2	D	2	2		



DRAWING



CONFIGURATIONS



Possible configurations		
Pos	Coupling size	Predisposition for electrical connector
1	FAP17ZN	-
2	FAP15ZN	-
3	FAP15ZN	-
4	FAP17ZN	-
5	FAP9DZN	YES
6	FAP9DZN	YES

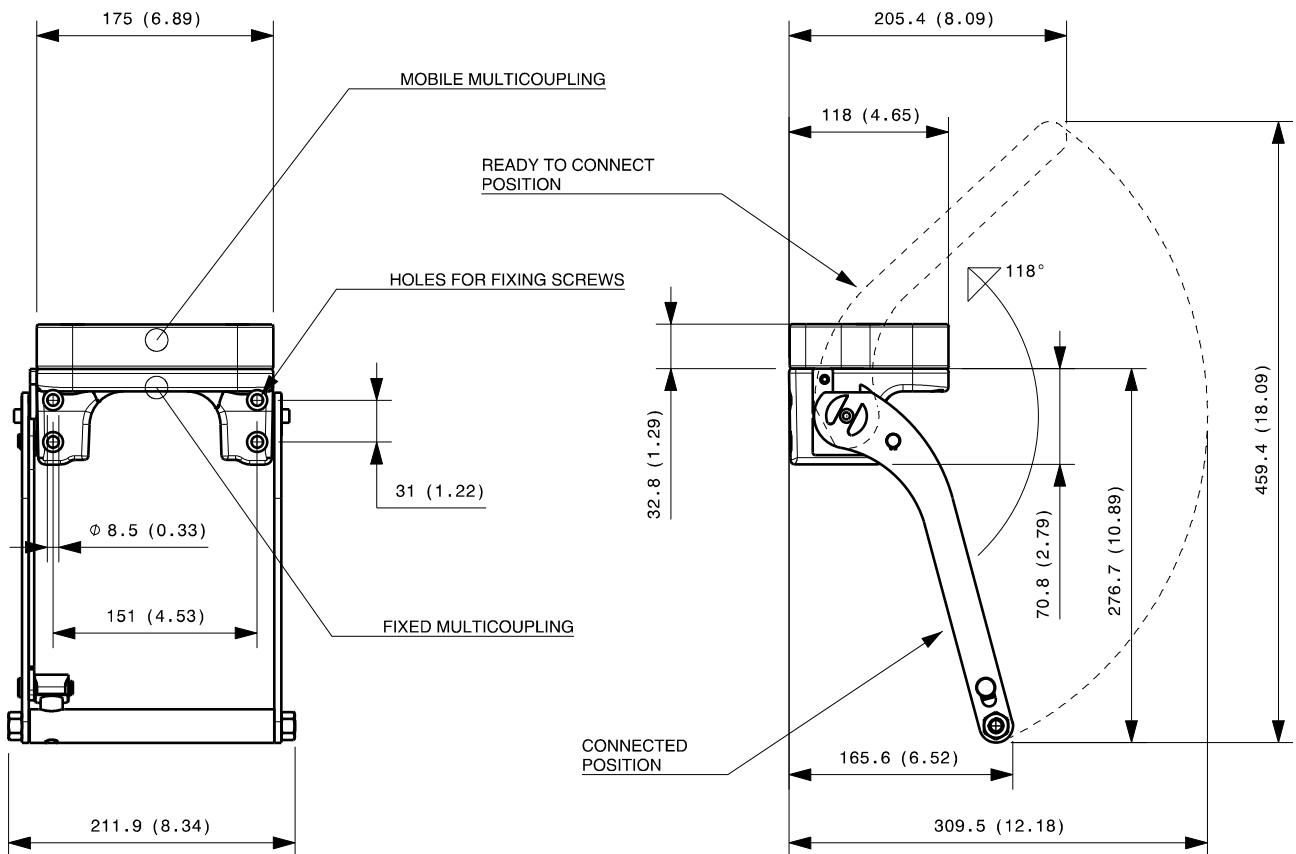
MultiCoupling (couplings included)		
Code	Name	Description
870015062	MULTI COMPLETE GR6 1A-2C-2D	1 FAP9D 3/8 BSP - 2 FAP15 3/4 BSP - 2 FAP17 1 BSP - CAP
870015092	MULTI COMPLETE GR6 2A-2C-2D	2 FAP9D 3/8 BSP - 2 FAP15 3/4 BSP - 2 FAP17 1 BSP - CAP
870015094	MULTI COMPLETE GR6 2A-2C-1D	2 FAP9D 3/8 BSP - 2 FAP15 3/4 BSP - 1 FAP17 1 BSP - CAP
870015098	MULTI COMPLETE GR6 2A-2D	2 FAP9D 3/8 BSP - 2 FAP17 1 BSP - CAP
870015155	MULTI FIX GR6 2D-2EC	2 FAP17 1 BSP - 2 EC6
870015198	MULTI FIX GR6 2A-2D	2 FAP9D 3/8 BSP - 2 FAP17 1 BSP
870015255	MULTI MOBILE GR6 2D-2EC	2 FAP17 1 BSP - 2 EC6
870015298	MULTI MOBILE GR6 2A-2D	2 FAP9D 3/8 BSP - 2 FAP17 1 BSP

MultiCoupling spare parts (couplings not included)	
Code	Name
806000300	MULTI FIX EMPTY GR6 2A-2C-2D-2EC
806000301	MULTI MOBILE EMPTY GR6 2A-2C-2D-2EC
815606258	CAP FIX MULTICOUPLING GR 175x117 V01
815606259	PARKING STATION MOBILE MULTICOUPLING GR 180x120 V01
815700999	SPARE KIT LEVER GROUP GR 250x212

Custom configurations available upon request

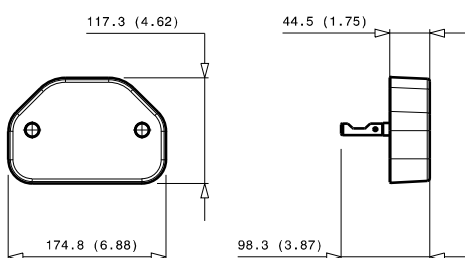
Fixed and mobile multicoupling

5,7 Kg and 2,6 Kg

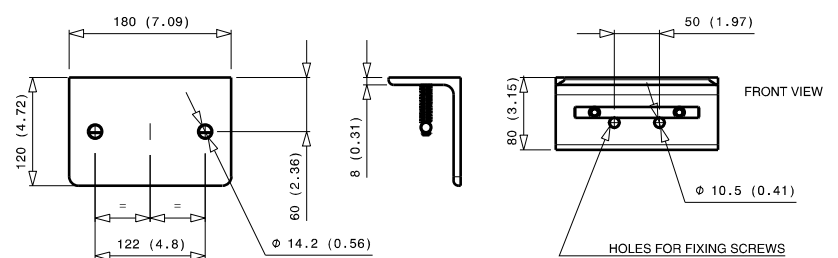


Dimensions in millimeters (inch)

Cap for fixed multicoupling 1,1 Kg



Parking station for mobile multicoupling 2,2 Kg

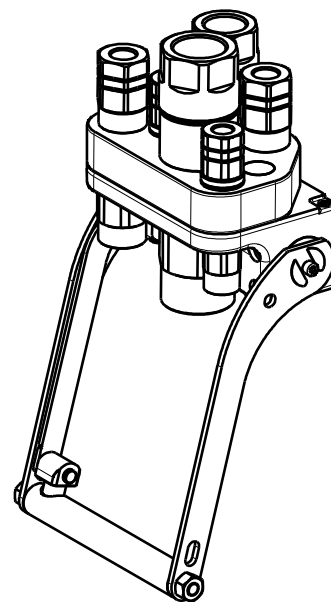


GR6 2A-2B-1D-1E-2EC

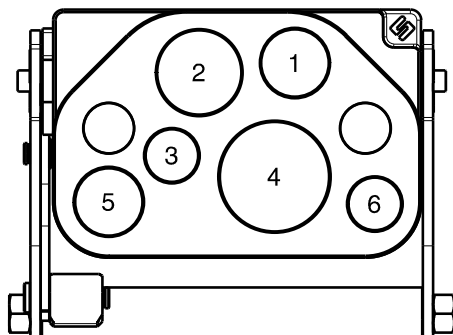
Previous description	Max. Resistance	FAP9 (A)		FAP13 (B)	FAP15 (C)	FAP17 (D)	FAP21 (E)	FAP30 (G)
Body size		3/8"	D	1/2"	5/8"	3/4"	1"	1-1/2"
GRU6ZN	23000 N	2	D	2		1	1	



DRAWING



CONFIGURATIONS



Possible configurations		
Pos	Coupling size	Predisposition for electrical connector
1	FAP13ZN	-
2	FAP17ZN	-
3	FAP9DZN	YES
4	FAP21ZN	-
5	FAP13ZN	-
6	FAP9DZN	YES

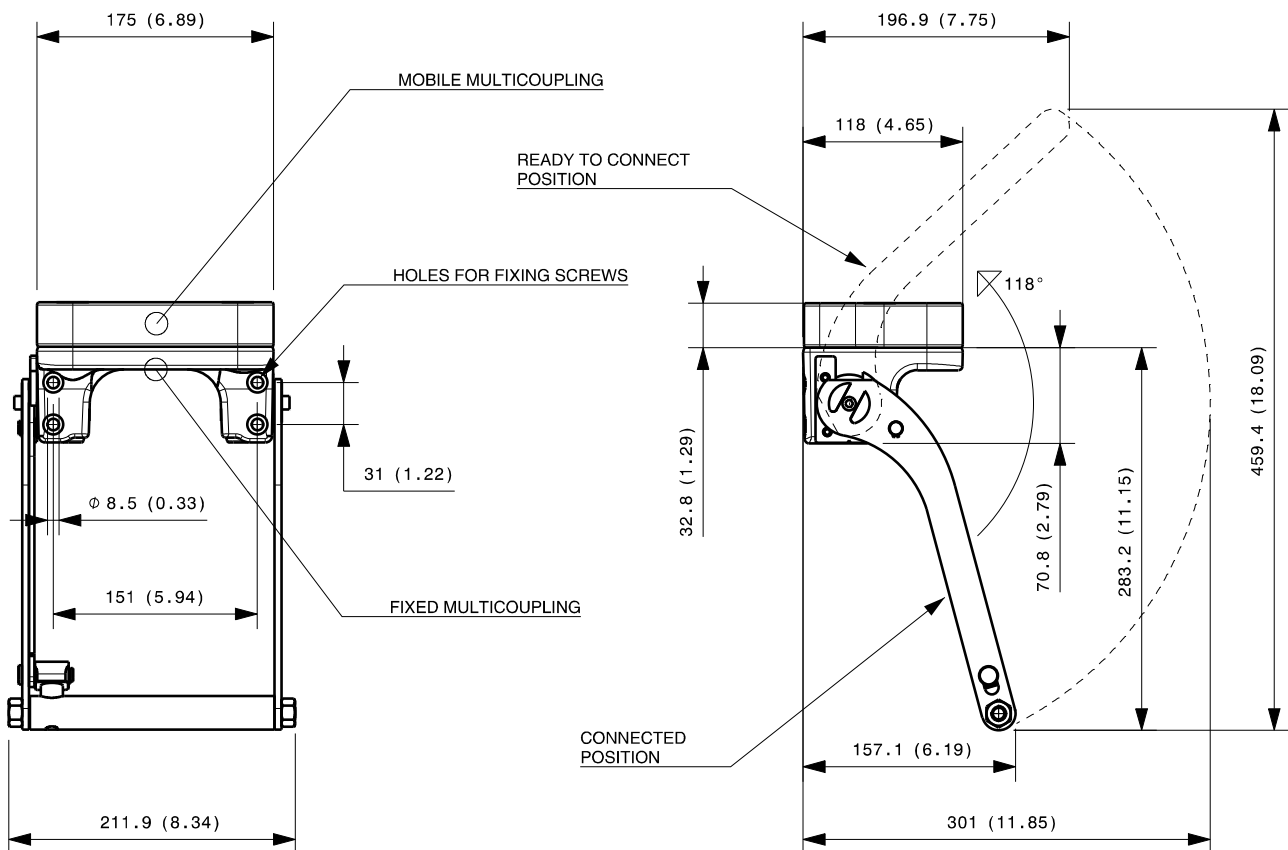
MultiCoupling (couplings included)		
Code	Name	Description
870015059	MULTI COMPLETE GR6 1A-2B-1D-1E	1 FAP9D 3/8 BSP - 2 FAP13 1/2 BSP - 1 FAP17 1 BSP - 1 FAP21 1-1/4 BSP - CAP
870015070	MULTI COMPLETE GR6 1A-2B-1D-1E	1 FAP9D 3/8 BSP - 2 FAQ13 1/2 BSP - 1 FAP17 1 BSP - 1 FAP21 1-1/4 BSP - CAP
870015093	MULTI COMPLETE GR6 1A-2B-1D	1 FAP9D 3/8 BSP - 2 FAP13 1/2 BSP - 1 FAP17 3/4 BSP - CAP
870015170	MULTI FIX GR6 1A-2B-1D-1E	1 FAP9D 3/8 BSP - 2 FAQ13 1/2 BSP - 1 FAP17 1 BSP - 1 FAP21 1-1/4 BSP
870015270	MULTI MOBILE GR6 1A-2B-1D-1E	1 FAP9D 3/8 BSP - 2 FAQ13 1/2 BSP - 1 FAP17 1 BSP - 1 FAP21 1-1/4 BSP
870016037	MULTI COMPLETE GR6 2A-2B-1D-1E	2 FAP9D 1/2 BSP - 2 FAP13 3/4 BSP - 1 FAP17 1 BSP - 1 FAP21 1-1/4 BSP - CAP

MultiCoupling spare parts (couplings not included)	
Code	Name
806000306	MULTI FIX EMPTY GR6 2A-2B-1D-1E-2EC
806000307	MULTI MOBILE EMPTY GR6 2A-2B-1D-1E-2EC
815606260	CAP FIX MULTICOUPLING GR 175x117 V02
815606261	PARKING STATION MOBILE MULTICOUPLING GR 180x120 V02
815701055	SPARE KIT LEVER GROUP GR 250x212

Custom configurations available upon request

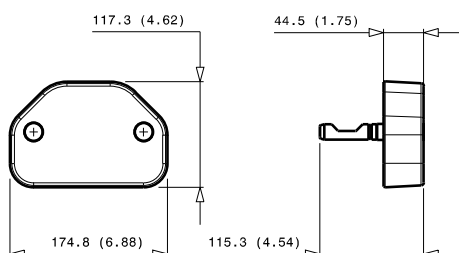
Fixed and mobile multicoupling

5,4 Kg and 2,6 Kg

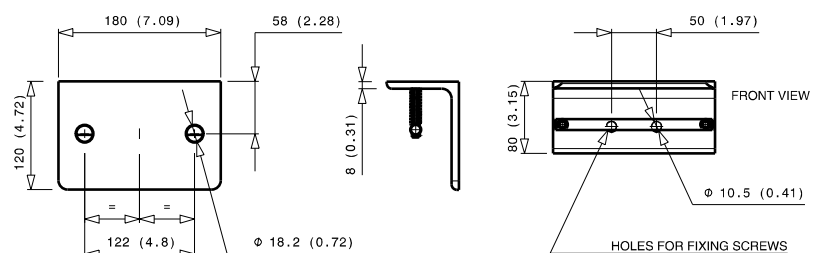


Dimensions in millimeters (inch)

Cap for fixed multicoupling 1,2 Kg



Parking station for mobile multicoupling 2,4 Kg

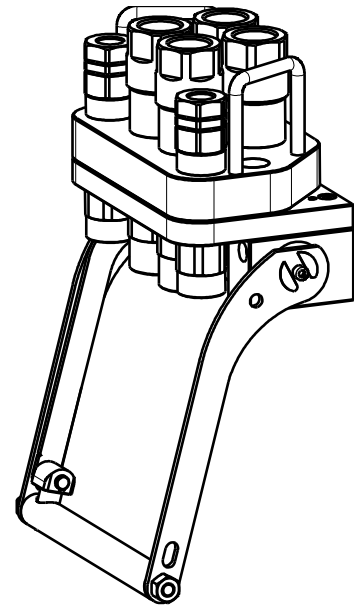


GR6 2B-4D-2EC

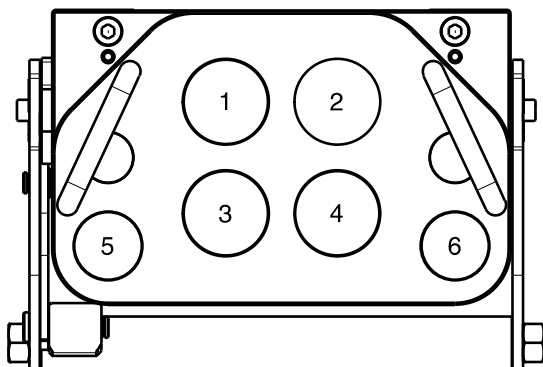
Previous description	Max. Resistance Body size	FAP9 (A) 3/8"	FAP13 (B) 1/2"	FAP15 (C) 5/8"	FAP17 (D) 3/4"	FAP21 (E) 1"	FAP30 (G) 1-1/2"
GR6LLZN	23000 N		2		4		



DRAWING



CONFIGURATIONS



Possible configurations		
Pos	Coupling size	Predisposition for electrical connector
1	FAP17ZN	-
2	FAP17ZN	-
3	FAP17ZN	-
4	FAP17ZN	-
5	FAP13ZN	YES
6	FAP13ZN	YES

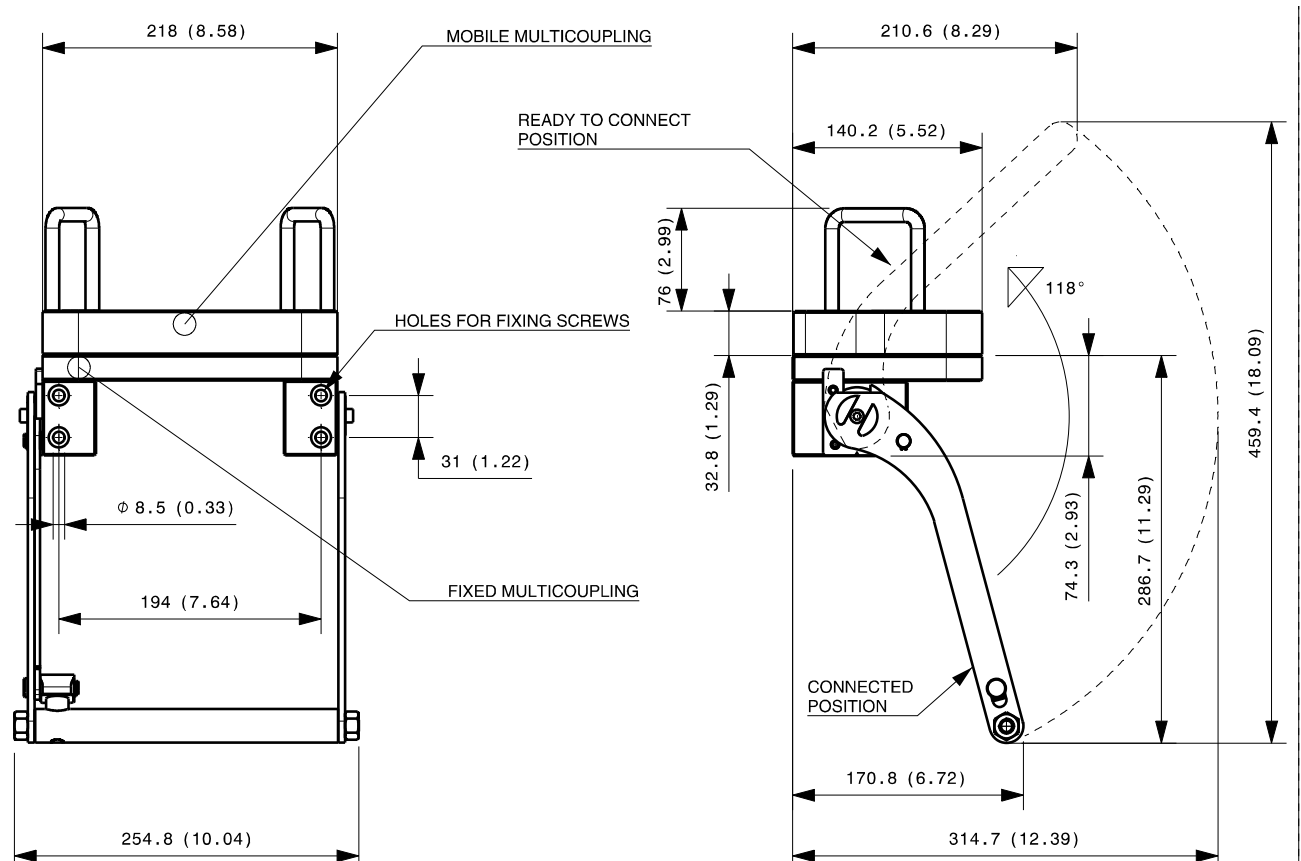
MultiCoupling (couplings included)		
Code	Name	Description
870015067	MULTI COMPLETE GR6 1B-4D	1 FAQ13 1/2 BSP - 4 FAP17 1 BSP - CAP
870016004	MULTI COMPLETE GR6 1B-4D	1 FAP13 1/2 BSP - 4 FAP17 1 BSP - CAP
870016038	MULTI COMPLETE GR6 2B-4D	2 FAP13 3/4 BSP - 4 FAP17 1 BSP - CAP
870016105	MULTI FIX GR6 2D	2 FAP17 1 BSP
870016124	MULTI FIX GR6 2B-4D	2 FAP13 1/2 SAE - 4 FAP17 1 SAE
870016205	MULTI MOBILE GR6 2D	2 FAP17 1 BSP
870016224	MULTI MOBILE GR6 2B-4D	2 FAP13 1/2 SAE - 4 FAP17 1 SAE

MultiCoupling spare parts (couplings not included)		
Code	Name	
806000338	MULTI FIX EMPTY GR6 2B-4D-2EC	
806000339	MULTI MOBILE EMPTY GR6 2B-4D-2EC	
815606262	CAP FIX MULTICOUPLING GR 218x140	
815606263	PARKING STATION MOBILE MULTICOUPLING GR 218x150	
815701056	SPARE KIT LEVER GROUP GR 250x256	

Custom configurations available upon request

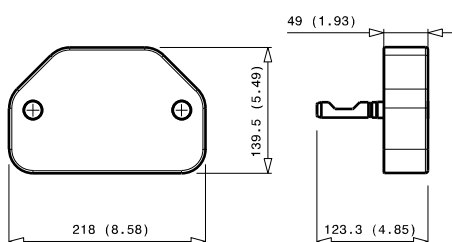
Fixed and mobile multicoupling

7,7 Kg and 5,0 Kg

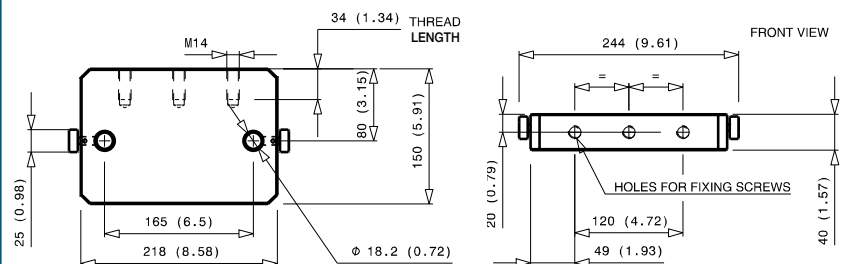


Dimensions in millimeters (inch)

Cap for fixed multicoupling 1,7 Kg



Parking station for mobile multicoupling 3,4 Kg

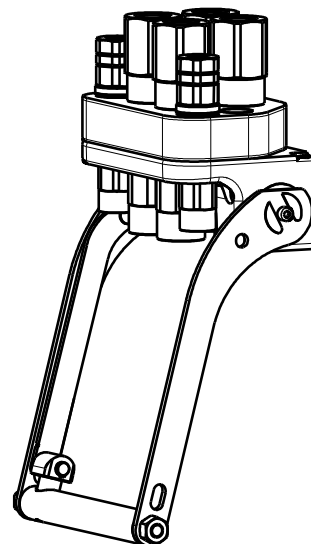


GR6 2A-4C-2EC

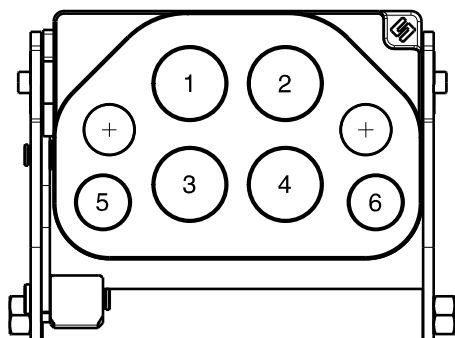
Previous description	Max. Resistance	FAP9 (A)	FAP13 (B)	FAP15 (C)	FAP17 (D)	FAP21 (E)	FAP30 (G)
Body size		3/8"	1/2"	5/8"	3/4"	1"	1-1/2"
GRM6ALZN	23000 N	2	D	4			



DRAWING



CONFIGURATIONS



Possible configurations		
Pos	Coupling size	Predisposition for electrical connector
1	FAP15ZN	-
2	FAP15ZN	-
3	FAP15ZN	-
4	FAP15ZN	-
5	FAP9DZN	YES
6	FAP9DZN	YES

MultiCoupling (couplings included)

Code	Name	Description
870016019	MULTI COMPLETE GR6 2A-4C	2 FAP9D 3/8 BSP - 4 FAP15 3/4 BSP - CAP
870016119	MULTI FIX GR6 2A-4C	2 FAP9D 3/8 BSP - 4 FAP15 3/4 BSP
870016219	MULTI MOBILE GR6 2A-4C	2 FAP9D 3/8 BSP - 4 FAP15 3/4 BSP

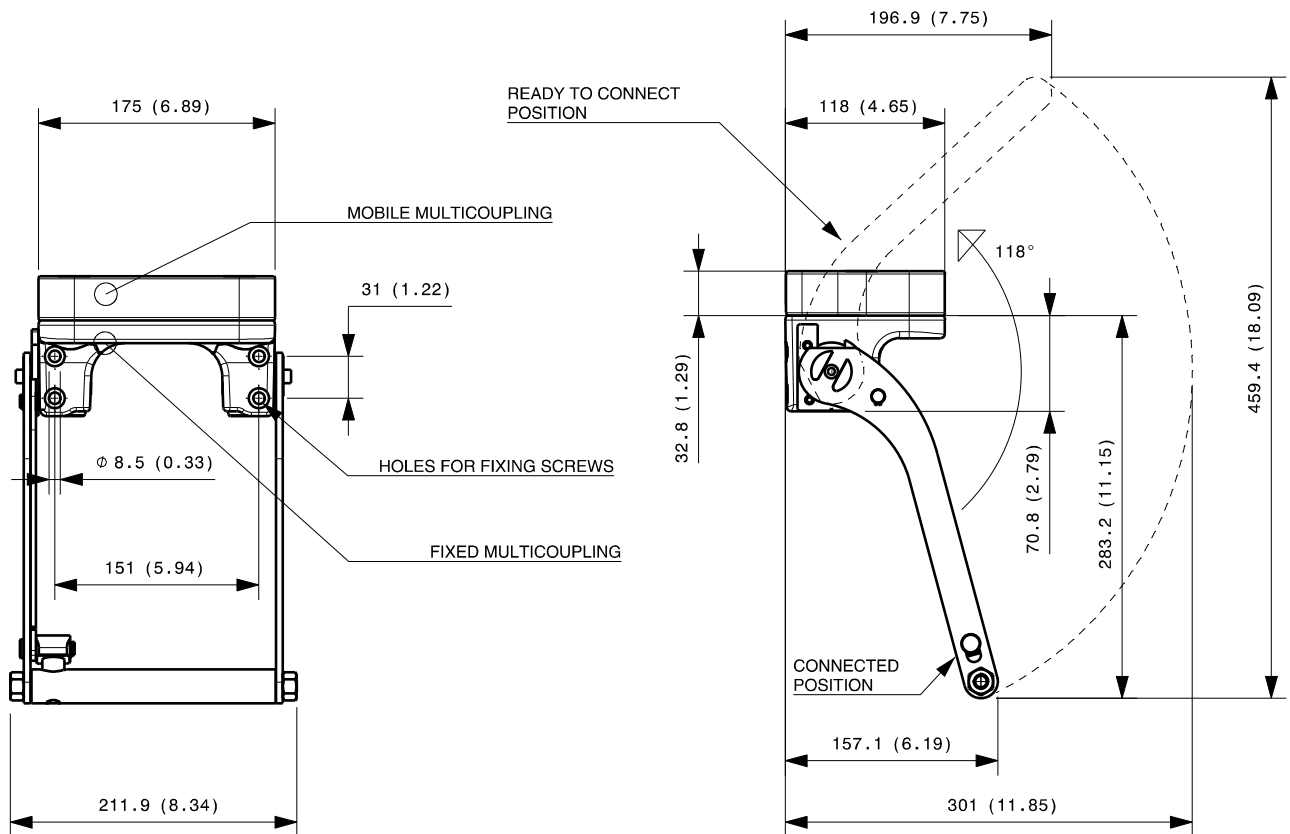
MultiCoupling spare parts (couplings not included)

Code	Name
806000320	MULTI FIX EMPTY GR6 2A-4C-2EC
806000321	MULTI MOBILE EMPTY GR6 2A-4C-2EC
815606260	CAP FIX MULTICOUPLING GR 175x117 V02
815606261	PARKING STATION MOBILE MULTICOUPLING GR 180x120 V02
815701055	SPARE KIT LEVER GROUP GR 250x212

Custom configurations available upon request

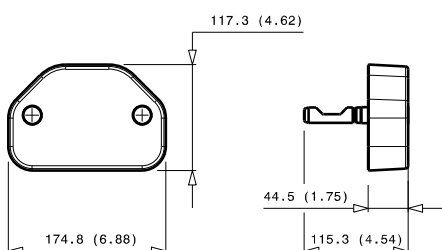
Fixed and mobile multicoupling

5,6 Kg and 2,9 Kg

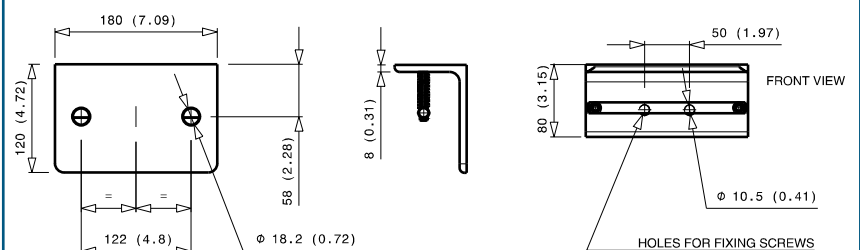


Dimensions in millimeters (inch)

Cap for fixed multicoupling 1,2 Kg



Parking station for mobile multicoupling 2,4 Kg

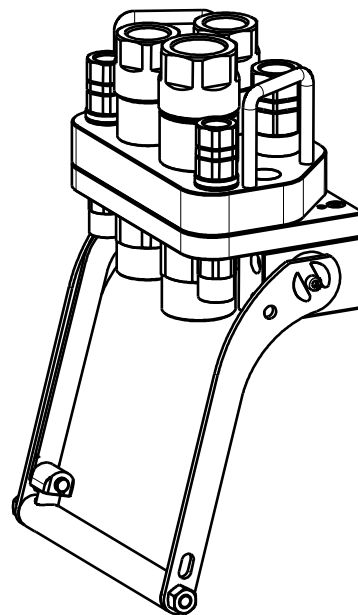


GR6 2A-1B-2D-1E-3EC

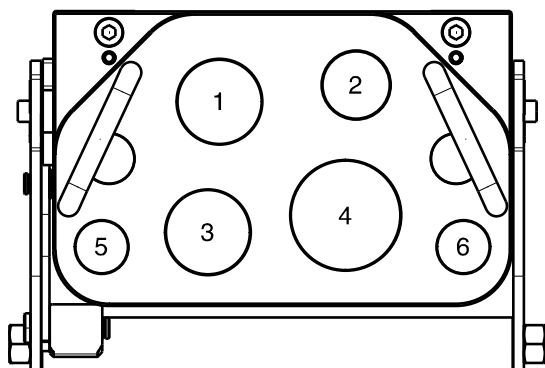
Previous description	Max. Resistance Body size	FAP9 (A) 3/8"	FAP13 (B) 1/2"	FAP15 (C) 5/8"	FAP17 (D) 3/4"	FAP21 (E) 1"	FAP30 (G) 1-1/2"
GR6AF	23000 N	2 D	1		2	1	



DRAWING



CONFIGURATIONS



Possible configurations		
Pos	Coupling size	Predisposition for electrical connector
1	FAP17ZN	-
2	FAP13ZN	YES
3	FAP17ZN	-
4	FAP21ZN	-
5	FAP9DZN	YES
6	FAP9DZN	YES

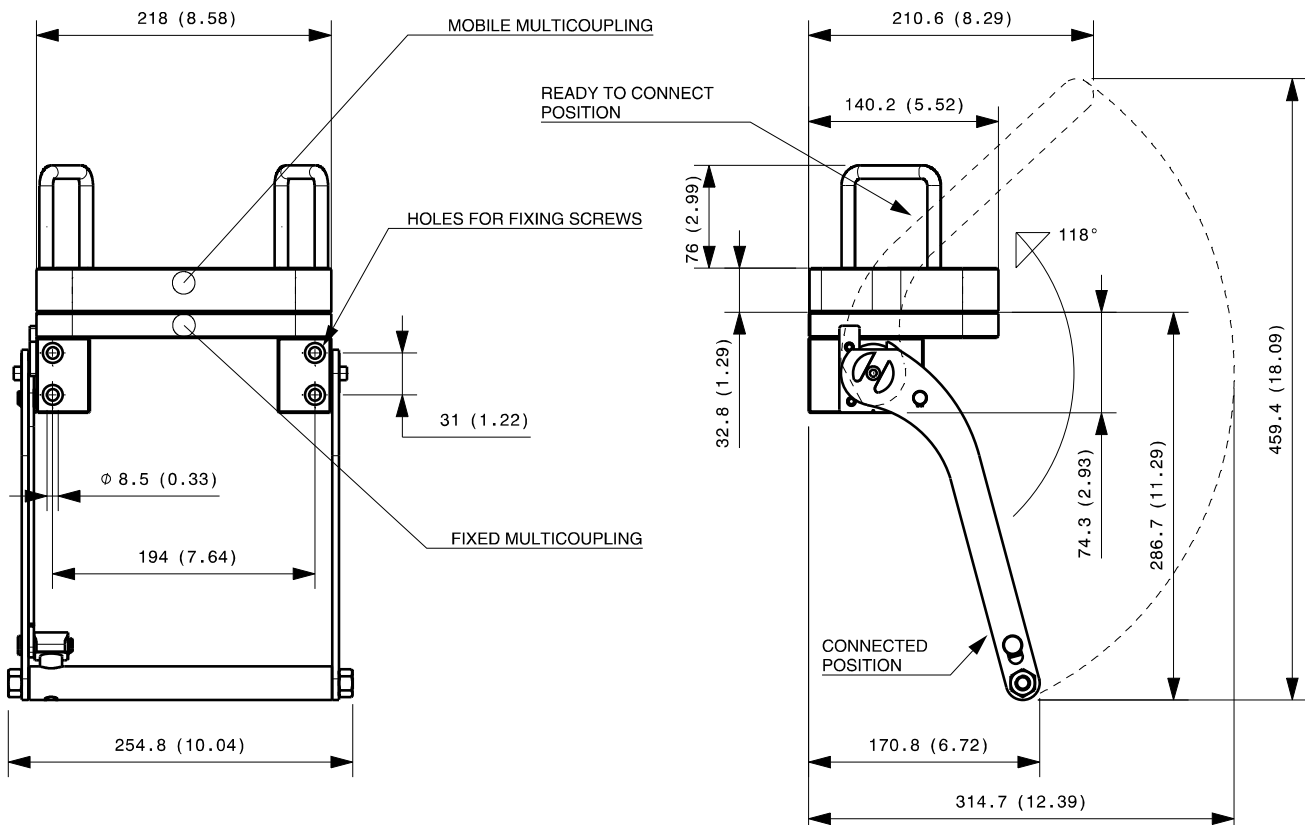
MultiCoupling (couplings included)		
Code	Name	Description
870015076	MULTI COMPLETE GR6 1A-2D-1E	1 FAP9D 1/2 BSP - 2 FAP17 1 BSP - 1 FAP21 1-1/4 BSP - CAP
870015152	MULTI FIX GR6 2A-2D-1E	2 FAP9D 1/2 BSP - 2 FAP17 3/4 BSP - 1 FAP21 1-1/4 BSP
870015176	MULTI FIX GR6 1A-2D-1E	1 FAP9D 1/2 BSP - 2 FAP17 1 BSP - 1 FAP21 1-1/4 BSP
870016156	MULTI FIX GR6 1B-2D-1E	1 FAP13 1/2 BSP - 2 FAP17 3/4 BSP - 1 FAP21 1 BSP
870015276	MULTI MOBILE GR6 1A-2D-1E	1 FAP9D 1/2 BSP - 2 FAP17 1 BSP - 1 FAP21 1-1/4 BSP
870015252	MULTI MOBILE GR6 2A-2D-1E	2 FAP9D 1/2 BSP - 2 FAP17 3/4 BSP - 1 FAP21 1-1/4 BSP
870016255	MULTI MOBILE GR6 1D-1E	1 FAP17 3/4 BSP - 1 FAP21 1 BSP
870016256	MULTI MOBILE GR6 1B-2D-1E	1 FAP13 1/2 BSP - 2 FAP17 3/4 BSP - 1 FAP21 1 BSP

MultiCoupling spare parts (couplings not included)	
Code	Name
806000388	MULTI FIX EMPTY GR6 2A-1B-2D-1E-3EC
806000389	MULTI MOBILE EMPTY GR6 2A-1B-2D-1E -3EC
815606262	CAP FIX MULTICOUPLING GR 218x140
815606263	PARKING STATION MOBILE MULTICOUPLING GR 218x150
815701056	SPARE KIT LEVER GROUP GR 250x256

Custom configurations available upon request

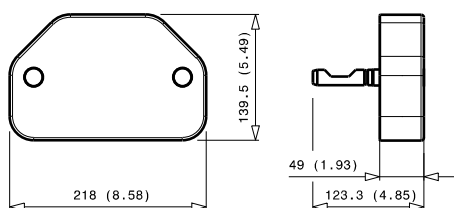
Fixed and mobile multicoupling

7,5 Kg and 4,3 Kg

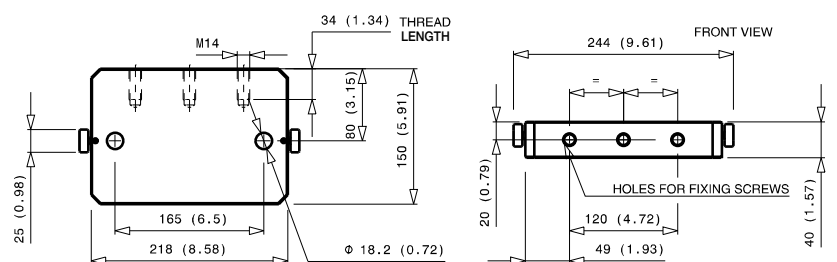


Dimensions in millimeters (inch)

Cap for fixed multicoupling 1,7 Kg



Parking station for mobile multicoupling 3,4 Kg



GR7 4A-3B-4EC

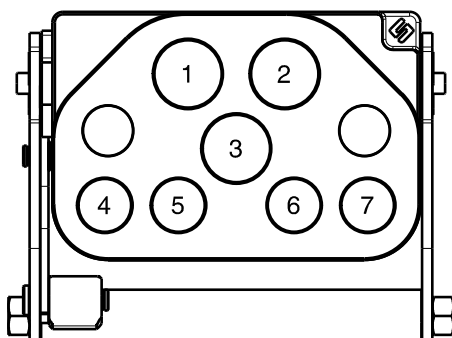
Previous description	Max. Resistance	FAP9 (A)	FAP13 (B)	FAP15 (C)	FAP17 (D)	FAP21 (E)	FAP30 (G)
Body size		3/8"	1/2"	5/8"	3/4"	1"	1-1/2"
GR7ABZN	23000 N	4 D	3				



DRAWING



CONFIGURATIONS



Pos	Possible configurations	
	Coupling size	Predisposition for electrical connector
1	FAP13ZN	-
2	FAP13ZN	-
3	FAP13ZN	-
4	FAP9DZN	YES
5	FAP9DZN	YES
6	FAP9DZN	YES
7	FAP9DZN	YES

MultiCoupling (couplings included)		
Code	Name	Description
870015085	MULTI COMPLETE GR7 2B-3EC	2 FAP13 1/2 BSP - 3EC6 - CAP
870016148	MULTI FIX GR7 2A-3B-2EC	2 FAP9D 1/2 BSP - 3 FAP13 1/2 BSP - 2EC6
870015153	MULTI FIX GR7 1A-2B-3EC	1 FAP9D 3/8 BSP - 2 FAP13 3/4 BSP - 3EC6
870015154	MULTI FIX GR7 3B-3EC	3 FAP13 1/2 BSP - 3EC6
870015185	MULTI FIX GR7 2B-3EC	2 FAP13 1/2 BSP - 3EC6
870015171	MULTI FIX GR7 3A-3B V01*	1 FAQ9D 3/8 BSP - 2 FAP9D 3/8 BSP - 3 FAP13 1/2 BSP
870016248	MULTI MOBILE GR7 2A-3B-2EC	2 FAP9D 1/2 BSP - 3 FAP13 1/2 BSP - 2EC6
870015253	MULTI MOBILE GR7 1A-2B-3EC	1 FAP9D 3/8 BSP - 2 FAP13 3/4 BSP - 3EC6
870015254	MULTI MOBILE GR7 3B-3EC	3 FAP13 1/2 BSP - 3EC6
870015285	MULTI MOBILE GR7 2B-3EC	2 FAP13 1/2 BSP - 3EC6
870015271	MULTI MOBILE GR7 3A-3B V01*	1 FAQ9D 3/8 BSP - 2 FAP9D 3/8 BSP - 3 FAP13 1/2 BSP

* V01 = lever length

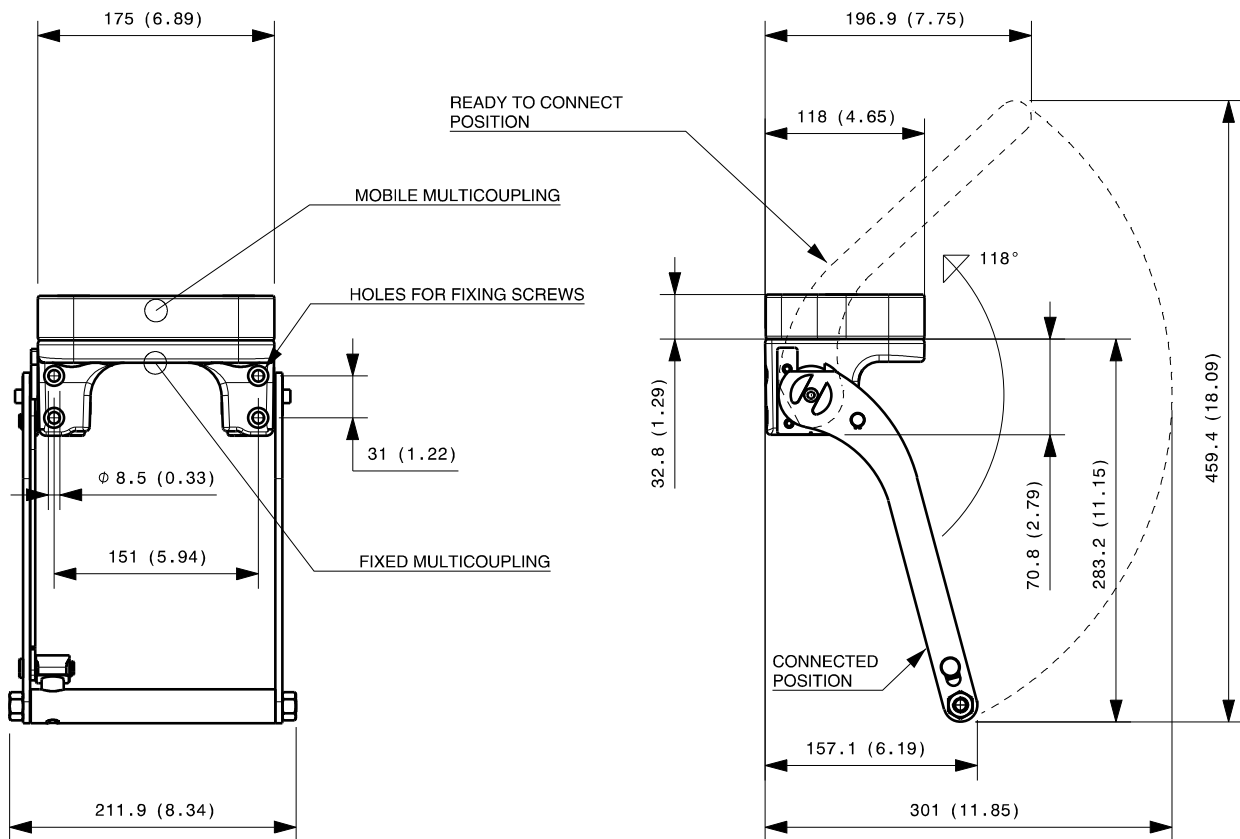
MultiCoupling spare parts (couplings not included)	
Code	Name
806000328	MULTI FIX EMPTY GR7 4A-3B-4EC
806000380	MULTI FIX EMPTY GR7 4A-3B-4EC V01*
806000329	MULTI MOBILE EMPTY GR7 4A-3B-4EC
815606260	CAP FIX MULTICOUPLING GR 175x117 V02
815606261	PARKING STATION MOBILE MULTICOUPLING GR 180x120 V02
815701055	SPARE KIT LEVER GROUP GR 250x212
UPON REQUEST	SPECIFIC KIT FOR V01 MODEL

* V01 = lever length

Custom configurations available upon request

Fixed and mobile multicoupling

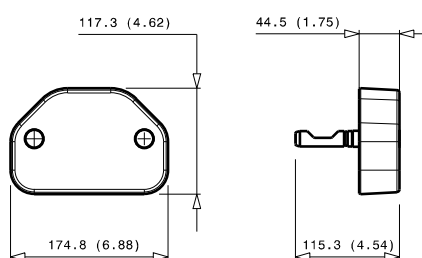
5,7 Kg and 2,9 Kg



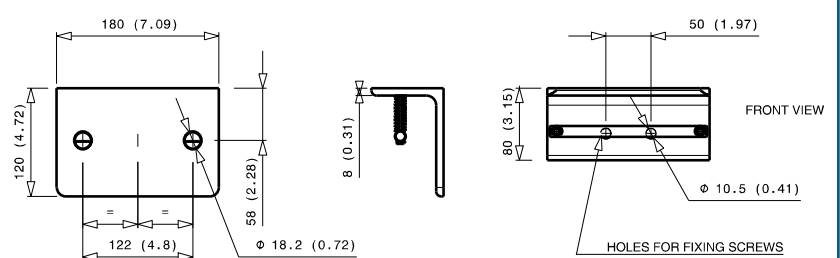
Available also model with shorter lever,
in case of need ask the drawing to info@stucchi.it

Dimensions in millimeters (inch)

Cap for fixed multicoupling 1,2 Kg



Parking station for mobile multicoupling 2,4 Kg



GRHP7 7A-4EC

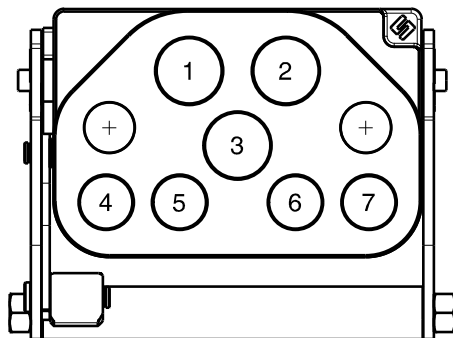
Previous description	Max. Resistance	FAP9 (A)	FAP13 (B)	FAP15 (C)	FAP17 (D)	FAP21 (E)	FAP30 (G)
Body size		3/8"	1/2"	5/8"	3/4"	1"	1-1/2"
GR7ACZN	30000 N	4	D				
		3	HP				



DRAWING



CONFIGURATIONS



Possible configurations			
Pos	Coupling size	Predisposition for electrical connector	Pression type
1	FAP9-HP	-	High
2	FAP9-HP	-	High
3	FAP9-HP	-	High
4	FAP9DZN	YES	Medium
5	FAP9DZN	YES	Medium
6	FAP9DZN	YES	Medium
7	FAP9DZN	YES	Medium

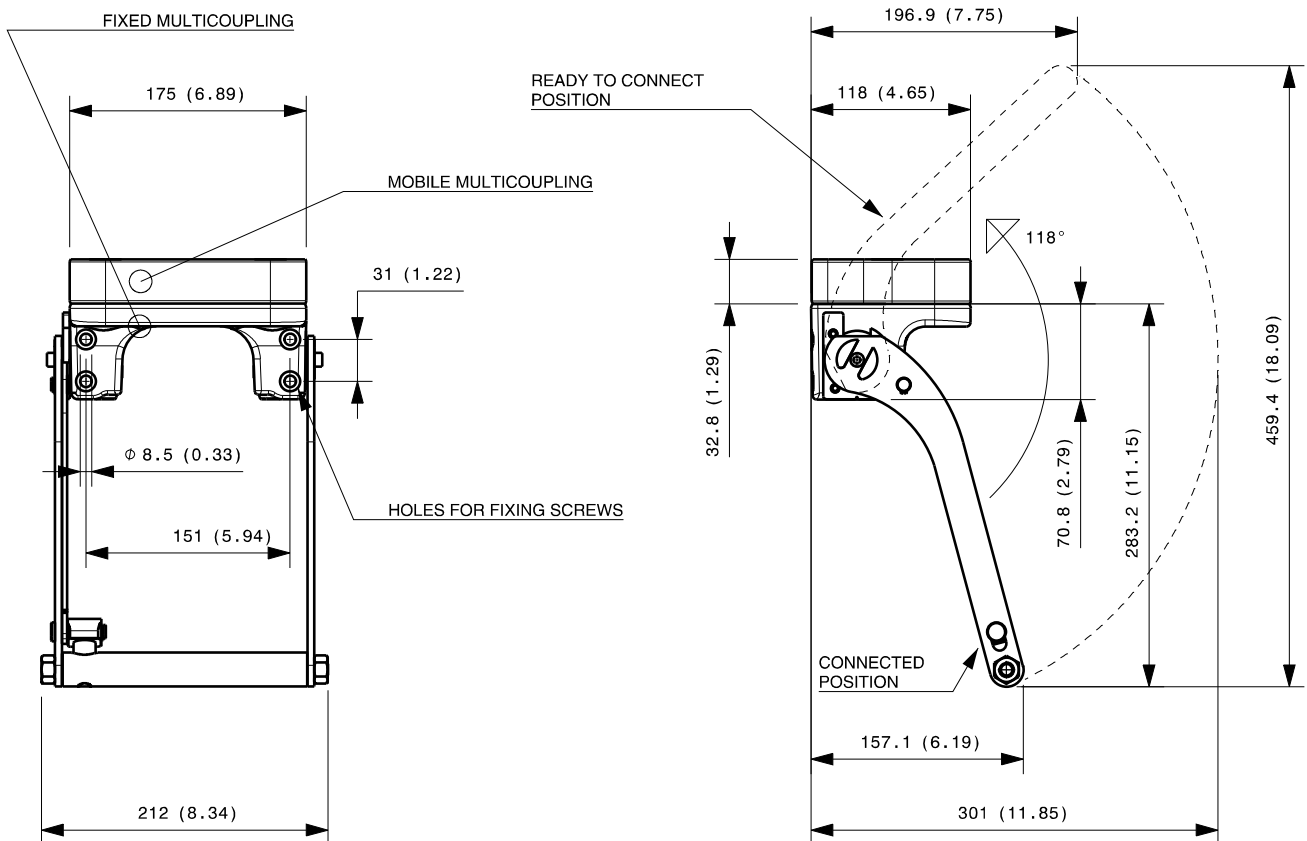
MultiCoupling (couplings included)		
Code	Name	Description
870016020	MULTI COMPLETE GRHP7 7A	4 FAP9D 3/8 BSP - 3 FAP9HP 3/8 NPT - CAP
870016120	MULTI FIX GRHP7 7A	4 FAP9D 3/8 BSP - 3 FAP9HP 3/8 NPT
870016220	MULTI MOBILE GRHP7 7A	4 FAP9D 3/8 BSP - 3 FAP9HP 3/8 NPT

MultiCoupling spare parts (couplings not included)	
Code	Name
806000330	MULTI FIX EMPTY GRHP7 7A-4EC
806000331	MULTI MOBILE EMPTY GRHP7 7A-4EC
815606260	CAP FIX MULTICOUPLING GR 175x117 V02
815606261	PARKING STATION MOBILE MULTICOUPLING GR 180x120 V02
815701055	SPARE KIT LEVER GROUP GR 250x212

Custom configurations available upon request

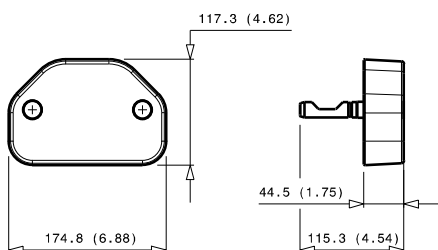
Fixed and mobile multicoupling

5,6 Kg and 2,9 Kg

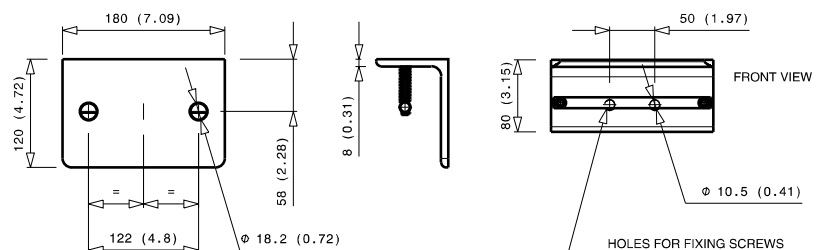


Dimensions in millimeters (inch)

Cap for fixed multicoupling 1,2 Kg



Parking station for mobile multicoupling 2,3 Kg



GR7 4A-1B-2D-4EC

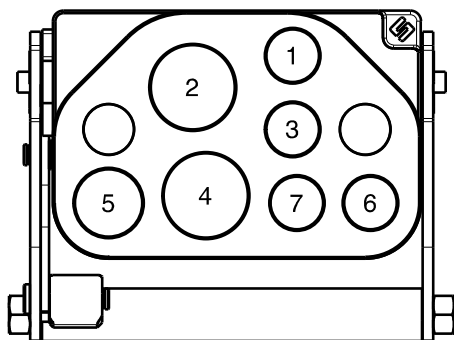
Previous description	Max. Resistance	FAP9 (A)	FAP13 (B)	FAP15 (C)	FAP17 (D)	FAP21 (E)	FAP30 (G)
Body size		3/8"	1/2"	5/8"	3/4"	1"	1-1/2"
GR7AAZN	23000 N	4	D	1	2		



DRAWING



CONFIGURATIONS



Possible configurations		
Pos	Coupling size	Predisposition for electrical connector
1	FAP9DZN	YES
2	FAP17ZN	-
3	FAP9DZN	YES
4	FAP17ZN	-
5	FAP13ZN	-
6	FAP9DZN	YES
7	FAP9DZN	YES

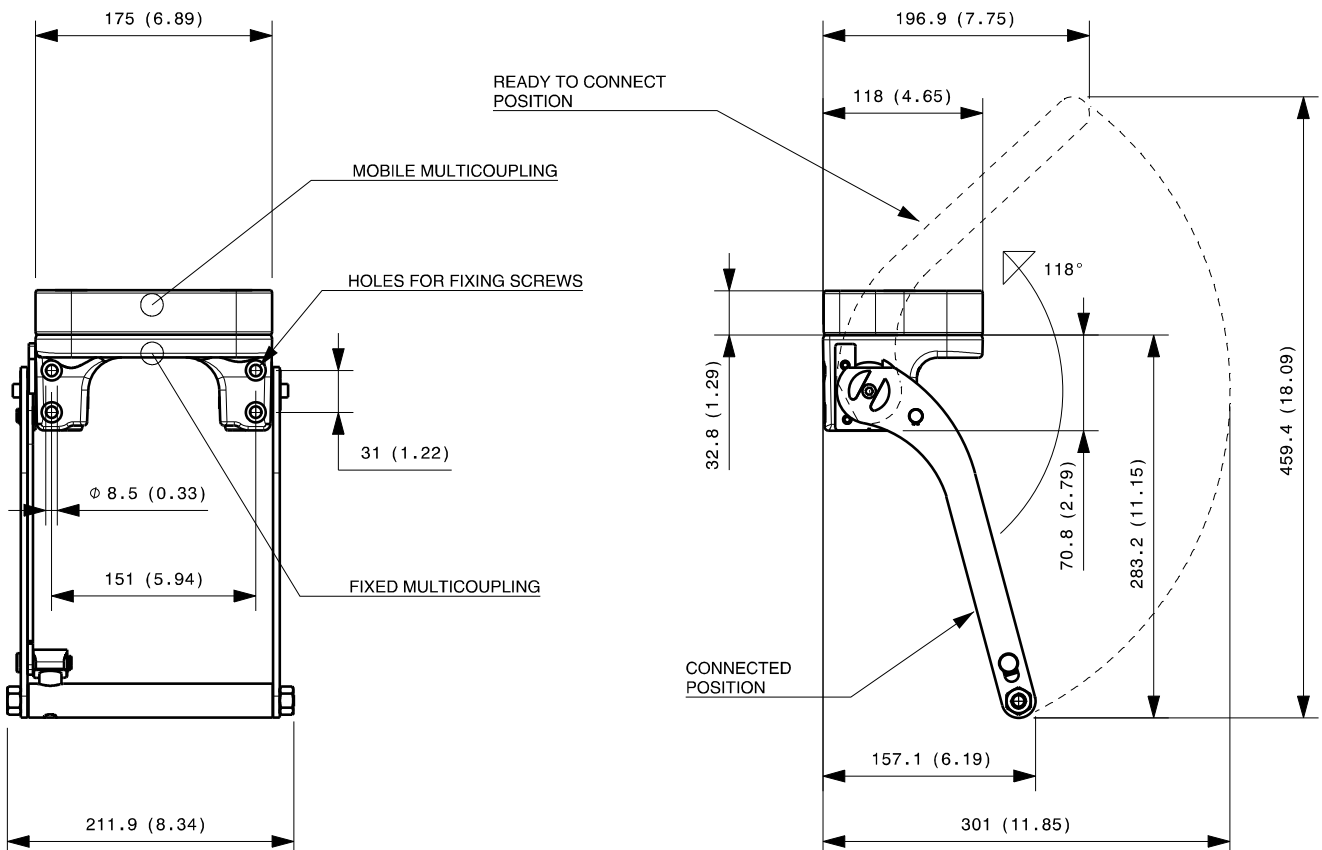
MultiCoupling (couplings included)		
Code	Name	Description
870016006	MULTI COMPLETE GR7 3A-1B-2D-1EC	1 FAP9D 1/4 BSP - 2 FAP9D 3/8 BSP - 1 FAP13 1/2 BSP - 2 FAP17 1 BSP - 1EC7 - CAP
870016106	MULTI FIX GR7 3A-1B-2D-1EC	1 FAP9D 1/4 BSP - 2 FAP9D 3/8 BSP - 1 FAP13 1/2 BSP - 2 FAP17 1 BSP - 1EC7
870016139	MULTI FIX GR7 1B-2D-4EC	1 FAP13 1/2 BSP - 2 FAP17 1 BSP - 4 EC6
870016206	MULTI MOBILE GR7 3A-1B-2D-1EC	1 FAP9D 1/4 BSP - 2 FAP9D 3/8 BSP - 1FAP13 1/2 BSP - 2 FAP17 1 BSP - 1EC7
870016239	MULTI MOBILE GR7 1B-2D-4EC	1 FAP13 1/2 BSP - 2 FAP17 1 BSP - 4 EC6

MultiCoupling spare parts (couplings not included)	
Code	Name
806000324	MULTI FIX EMPTY GR7 4A-1B-2D-4EC
806000325	MULTI MOBILE EMPTY GR7 4A-1B-2D-4EC
815606260	CAP FIX MULTICOUPLING GR 175x117 V02
815606261	PARKING STATION MOBILE MULTICOUPLING GR 180x120 V02
815701055	SPARE KIT LEVER GROUP GR 250x212

Custom configurations available upon request

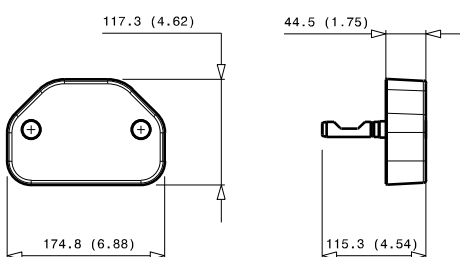
Fixed and mobile multicoupling

5,4 Kg and 2,6 Kg

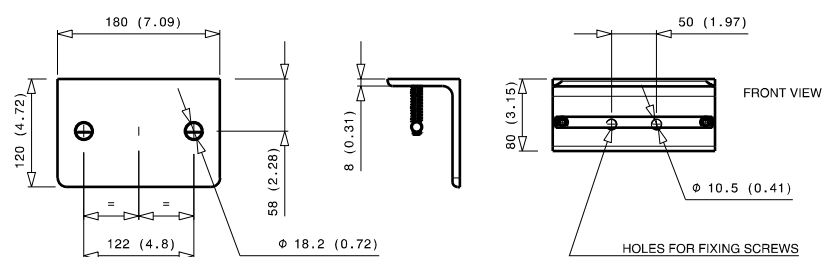


Dimensions in millimeters (inch)

Cap for fixed multicoupling 1,2 Kg



Parking station for mobile multicoupling 2,4 Kg



GR8 6A-2B-6EC

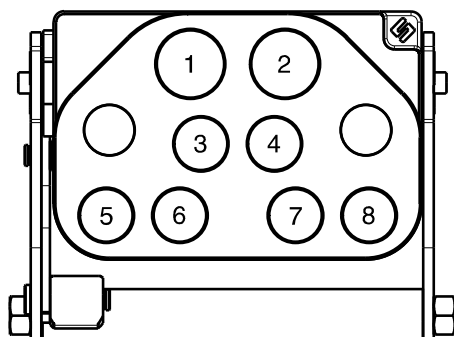
Previous description	Max. Resistance Body size	FAP9 (A) 3/8"	FAP13 (B) 1/2"	FAP15 (C) 5/8"	FAP17 (D) 3/4"	FAP21 (E) 1"	FAP30 (G) 1-1/2"
GR8ABZN	30000 N	6 D	2				



DRAWING



CONFIGURATIONS



Possible configurations		
Pos	Coupling size	Predisposition for electrical connector
1	FAP13ZN	-
2	FAP13ZN	-
3	FAP9DZN	YES
4	FAP9DZN	YES
5	FAP9DZN	YES
6	FAP9DZN	YES
7	FAP9DZN	YES
8	FAP9DZN	YES

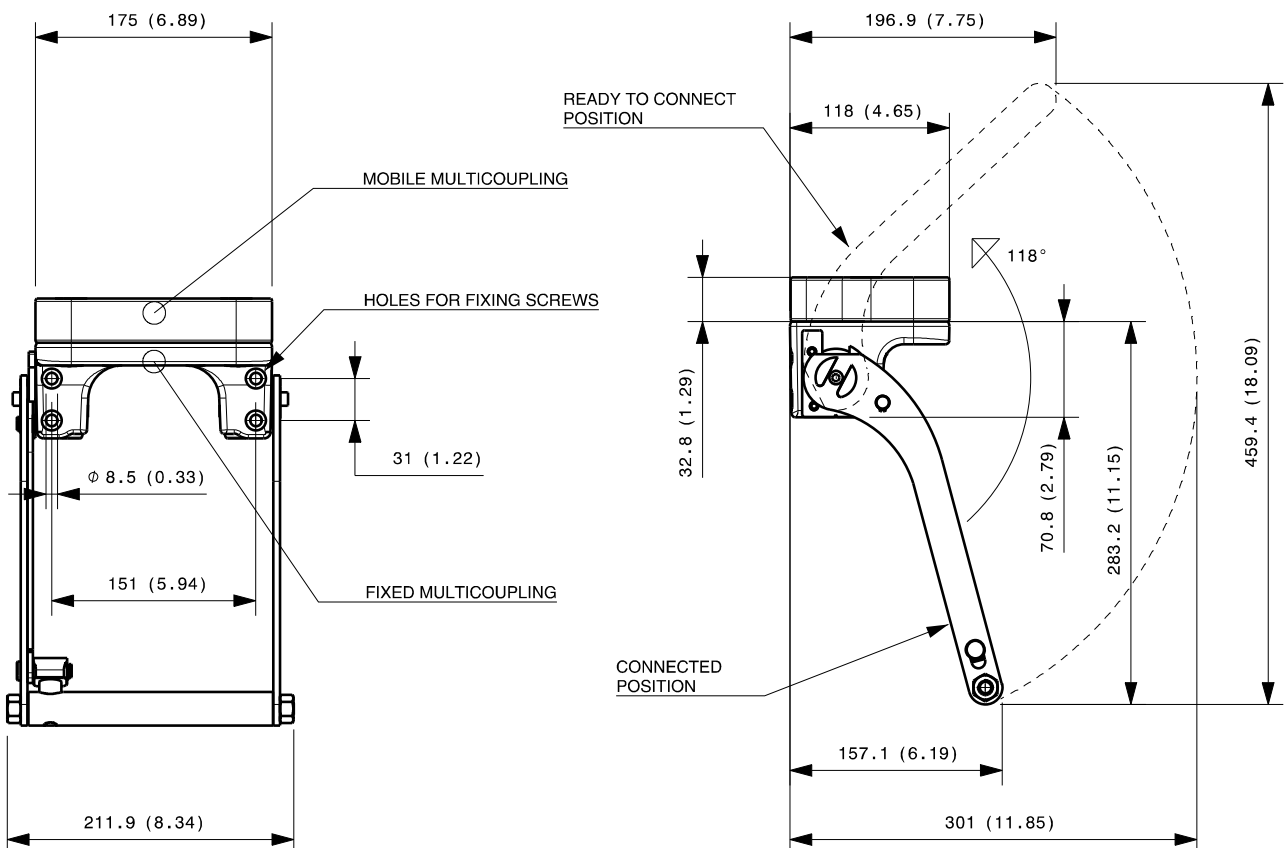
MultiCoupling (couplings included)		
Code	Name	Description
870015087	MULTI COMPLETE GR8 6A-2B	6 FAP9D 3/8 BSP - 1 FAP13 1/2 BSP - 1 FAP13 3/4 BSP - CAP
870016059	MULTI COMPLETE GR8 6A-2B	6 FAP9D 3/8 BSP - 2 FAP13 1/2 BSP - CAP
870015187	MULTI FIX GR8 6A-2B	6 FAP9D 3/8 BSP - 1 FAP13 1/2 BSP - 1 FAP13 3/4 BSP
870016150	MULTI FIX GR8 6A-2B	6 FAP9D 1/2 BSP - 2 FAP13 1/2 BSP
870015287	MULTI MOBILE GR8 6A-2B	6 FAP9D 3/8 BSP - 1 FAP13 1/2 BSP - 1 FAP13 3/4 BSP
870016250	MULTI MOBILE GR8 6A-2B	6 FAP9D 1/2 BSP - 2 FAP13 1/2 BSP

MultiCoupling spare parts (couplings not included)	
Code	Name
806000334	MULTI FIX EMPTY GR8 6A-2B-6EC
806000335	MULTI MOBILE EMPTY GR8 6A-2B-6EC
815606260	CAP FIX MULTICOUPLING GR 175x117 V02
815606261	PARKING STATION MOBILE MULTICOUPLING GR 180x120 V02
815701055	SPARE KIT LEVER GROUP GR 250x212

Custom configurations available upon request

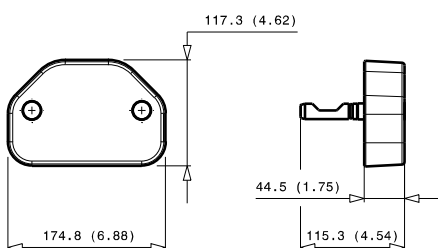
Fixed and mobile multicoupling

5,7 Kg and 2,8 Kg

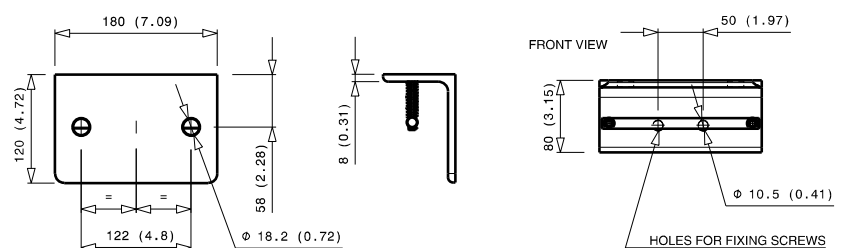


Dimensions in millimeters (inch)

Cap for fixed multicoupling 1,1 Kg



Parking station for mobile multicoupling 2,4 Kg

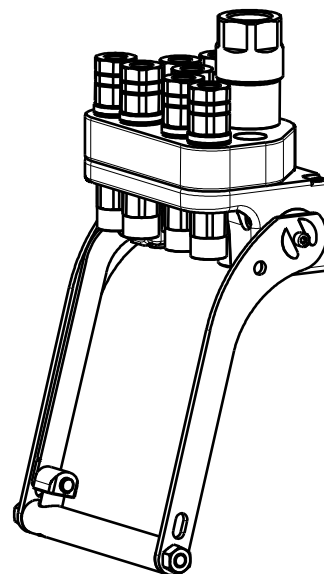


GR8 7A-1D-7EC

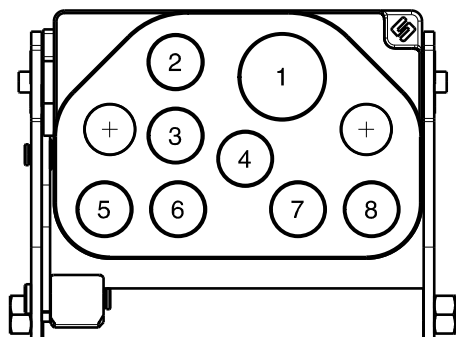
Previous description	Max. Resistance	FAP9 (A)	FAP13 (B)	FAP15 (C)	FAP17 (D)	FAP21 (E)	FAP30 (G)
Body size		3/8"	1/2"	5/8"	3/4"	1"	1-1/2"
GR8AAZN	23000 N	7	D		1		



DRAWING



CONFIGURATIONS



Possible configurations		
Pos	Coupling size	Predisposition for electrical connector
1	FAP17ZN	-
2	FAP9DZN	YES
3	FAP9DZN	YES
4	FAP9DZN	YES
5	FAP9DZN	YES
6	FAP9DZN	YES
7	FAP9DZN	YES
8	FAP9DZN	YES

MultiCoupling (couplings included)

Code	Name	Description
870016021	MULTI COMPLETE GR8 7A-1D	7 FAP9D 3/8 BSP - 1 FAP17 1 BSP - CAP
870016121	MULTI FIX GR8 7A-1D	7 FAP9D 3/8 BSP - 1 FAP17 1 BSP
870016221	MULTI MOBILE GR8 7A-1D	7 FAP9D 3/8 BSP - 1 FAP17 1 BSP

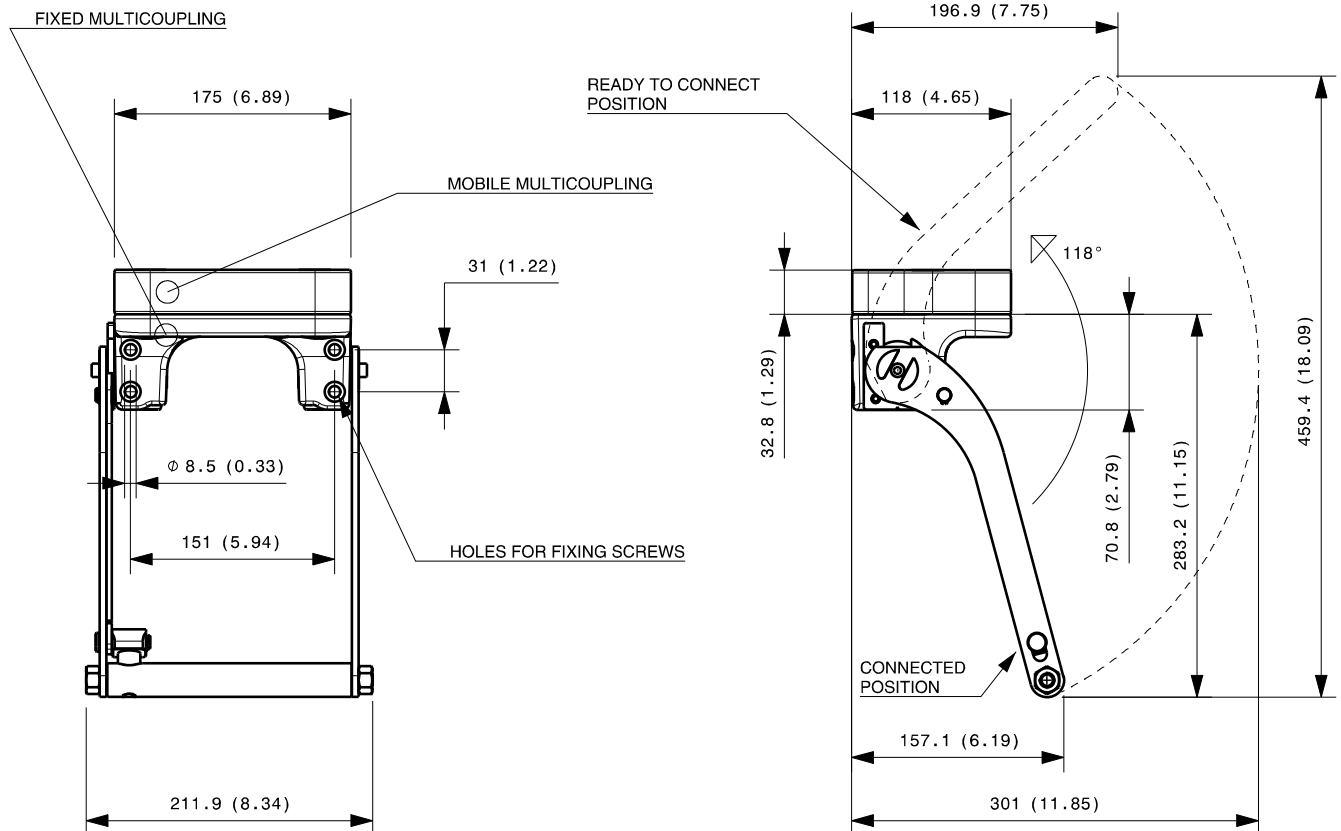
MultiCoupling spare parts (couplings not included)

Code	Name
806000332	MULTI FIX EMPTY GR8 7A-1D-7EC
806000333	MULTI MOBILE EMPTY GR8 7A-1D-7EC
815606260	CAP FIX MULTICOUPLING GR 175x117 V02
815606261	PARKING STATION MOBILE MULTICOUPLING GR 180x120 V02
815701055	SPARE KIT LEVER GROUP GR 250x212

Custom configurations available upon request

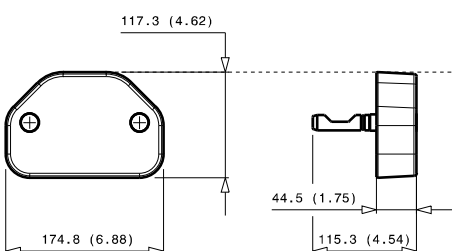
Fixed and mobile multicoupling

5,7 Kg and 2,8 Kg

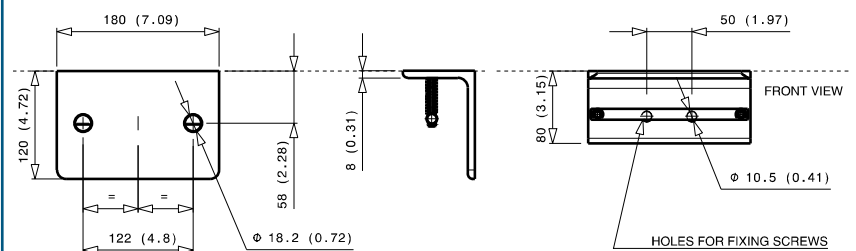


Dimensions in millimeters (inch)

Cap for fixed multicoupling 1,1 Kg



Parking station for mobile multicoupling 2,3 Kg

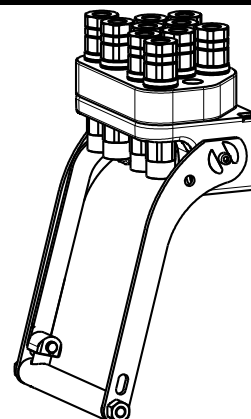


GR10 10A-2EC

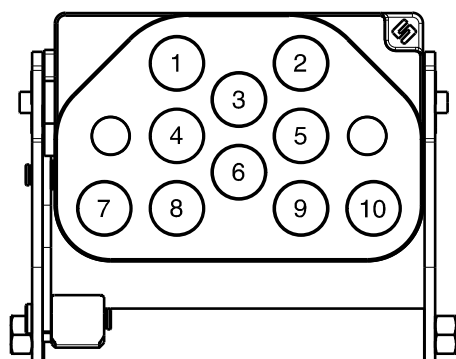
Previous description	Max. Resistance	FAP9 (A)	FAP13 (B)	FAP15 (C)	FAP17 (D)	FAP21 (E)	FAP30 (G)
Body size		3/8"	1/2"	5/8"	3/4"	1"	1-1/2"
GR10-9ZN	23000 N	10	D				



DRAWING



CONFIGURATIONS



Pos	Possible configurations	
	Coupling size	Predisposition for electrical connector
1	FAP9DZN	-
2	FAP9DZN	-
3	FAP9DZN	-
4	FAP9DZN	-
5	FAP9DZN	-
6	FAP9DZN	-
7	FAP9DZN	YES
8	FAP9DZN	-
9	FAP9DZN	-
10	FAP9DZN	YES

MultiCoupling (couplings included)		
Code	Name	Description
870004022	MULTI COMPLETE GR10 8A	8 FAP9D 3/8 BSP - CAP
870004023	MULTI COMPLETE GR10 10A	10 FAP9D 1/2 BSP - CAP
870004024	MULTI COMPLETE GR10 10A	10 FAP9D 3/8 BSP - CAP
870004026	MULTI COMPLETE GR10 10A	10 FAP9D 1/4 BSP - CAP
870004028	MULTI COMPLETE GR10 8A	8 FAP9D 1/2 BSP - CAP
870004029	MULTI COMPLETE GR10 10A	8 FAP9D 3/8 BSP -2 FAP9D 1/2 BSP - CAP
870004032	MULTI COMPLETE GR10 9A	9 FAP9D 1/2 BSP - CAP
870004033	MULTI COMPLETE GR10 9A	9 FAP9D 3/8 BSP - CAP
870004034	MULTI COMPLETE GR10 10A	10 FAP9D 3/8 SAE - CAP
870004025	MULTI COMPLETE GR10 8A V03**	8 FAP9DSD 1/2 BSP - CAP
870004036	MULTI COMPLETE GR10 10A V03**	10 FAP9DSD 1/2 BSP - CAP
870004123	MULTI FIX GR10 10A	10 FAP9D 1/2 BSP
870004125	MULTI FIX GR10 8A V03**	8 FAP9DSD 1/2 BSP
870004135	MULTI FIX GR10 10A	10 FAP9D 3/8 NPT
870004136	MULTI FIX GR10 10A V03**	10 FAP9DSD 1/2 BSP
870004223	MULTI MOBILE GR10 10A	10 FAP9D 1/2 BSP
870004224	MULTI MOBILE GR10 10A	10 FAP9D 3/8 BSP
870004225	MULTI MOBILE GR10 8A V03**	8 FAP9DSD 1/2 BSP
870004235	MULTI MOBILE GR10 10A	10 FAP9D 3/8 NPT
870004236	MULTI MOBILE GR10 10A V03**	10 FAP9DSD 1/2 BSP

** V03 = seal on plate

MultiCoupling spare parts (couplings not included)	
Code	Name
806000302	MULTI FIX EMPTY GR10 10A-2EC
806000303	MULTI MOBILE EMPTY GR10 10A-2EC
806000304	MULTI FIX EMPTY GR10 10A-2EC V01*
806000372	MULTI FIX EMPTY GR10 10A-2EC V03**
806000373	MULTI MOBILE EMPTY GR10 10A-2EC V03**

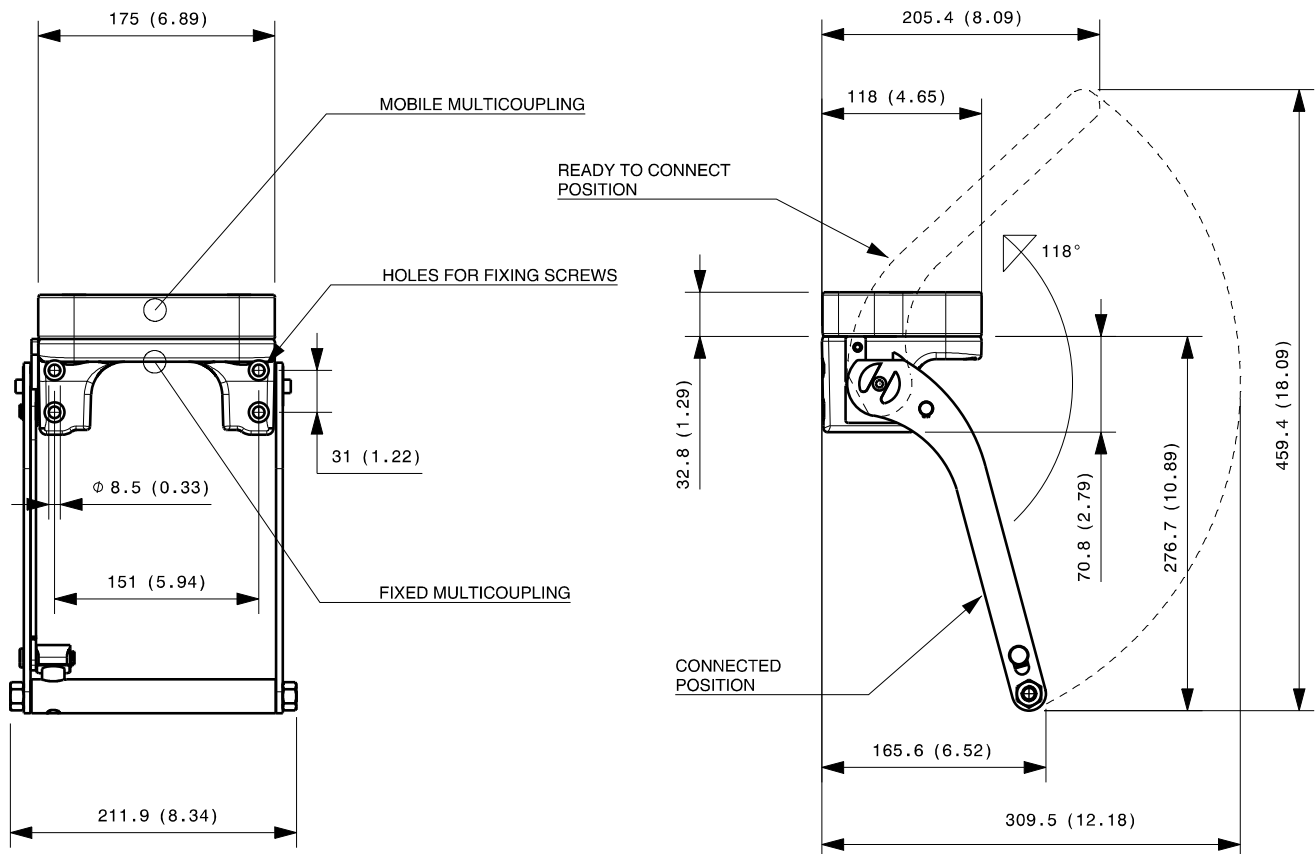
* V01 = lever length | ** V03 = seal on plate

MultiCoupling spare parts (couplings not included)	
Code	Name
815606258	CAP FIX MULTICOUPLING GR 175X117 V01*
815606286	CAP FIX MULTICOUPLING GR 175X117 V03**
815606259	PARKING STATION MOBILE MULTICOUPLING GR 180x120 V01*
815700999	SPARE KIT LEVER GROUP GR 250x212
UPON REQUEST	SPECIFIC KIT FOR V01* MODEL
815700998	SPECIFIC KIT FOR V03** MODEL

Custom configurations available upon request

Fixed and mobile multicoupling

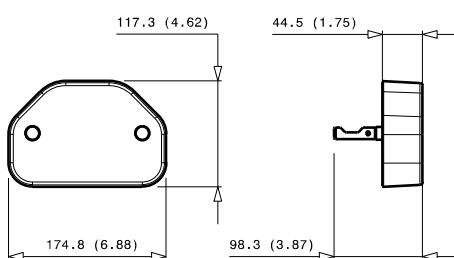
5,7 Kg and 2,7 Kg



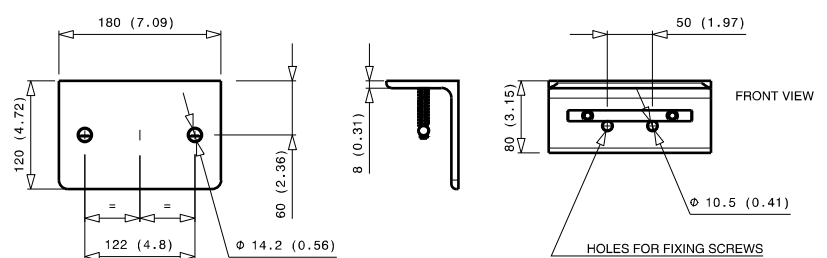
Available also model with shorter lever or seal on fix multicoupling, in case of need ask the drawing to info@stucchi.it

Dimensions in millimeters (inch)

Cap for fixed multicoupling 1,1 Kg



Parking station for mobile multicoupling 2,2 Kg



GR10 10B-2EC

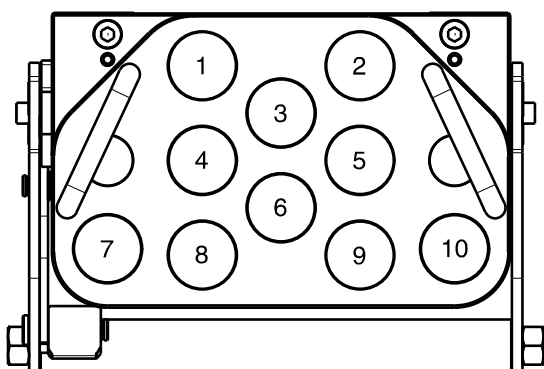
Previous description	Max. Resistance Body size	FAP9 (A) 3/8"	FAP13 (B) 1/2"	FAP15 (C) 5/8"	FAP17 (D) 3/4"	FAP21 (E) 1"	FAP30 (G) 1-1/2"
GR10-13ZN	23000 N		10				



DRAWING



CONFIGURATIONS



Possible configurations		
Pos	Coupling size	Predisposition for electrical connector
1	FAP13ZN	-
2	FAP13ZN	-
3	FAP13ZN	-
4	FAP13ZN	-
5	FAP13ZN	-
6	FAP13ZN	-
7	FAP13ZN	YES
8	FAP13ZN	-
9	FAP13ZN	-
10	FAP13ZN	YES

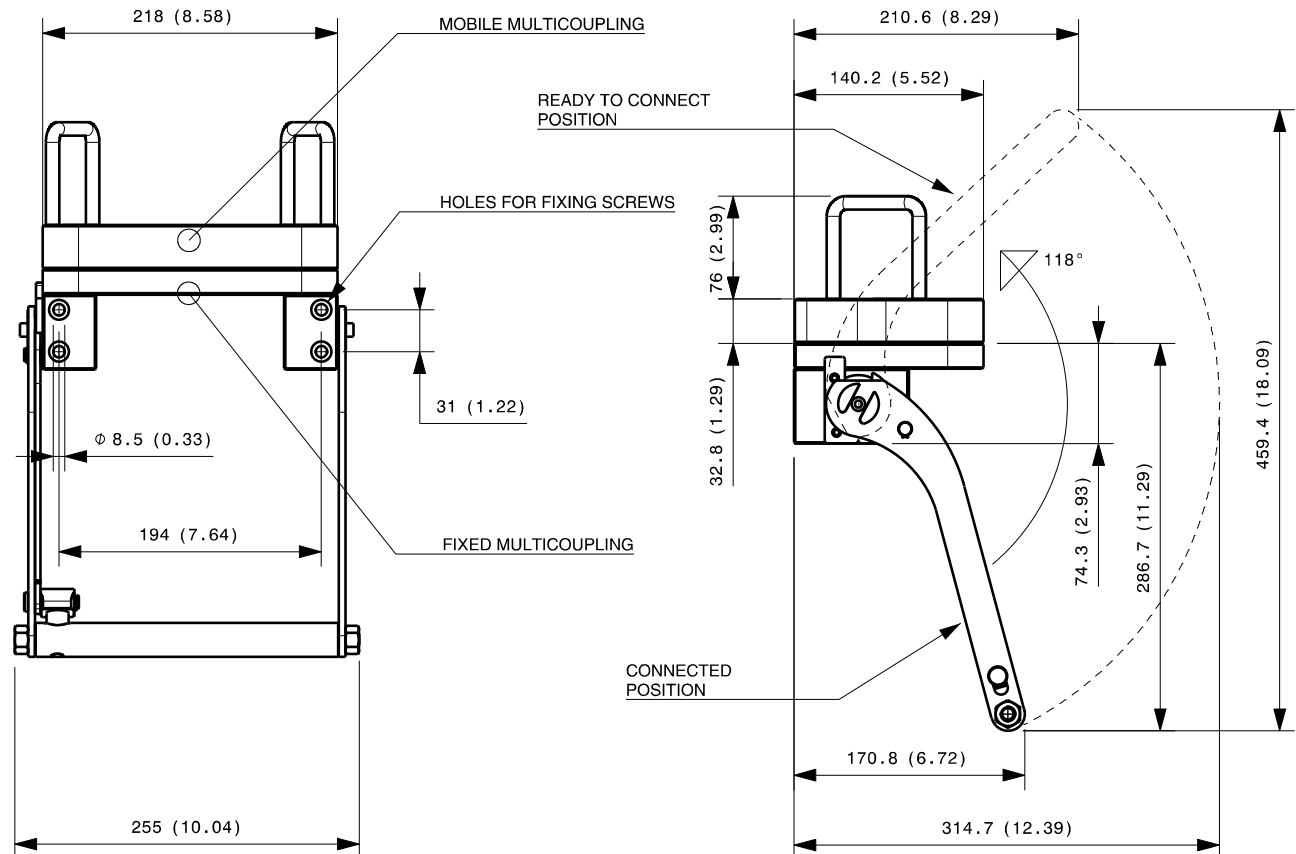
MultiCoupling (couplings included)		
Code	Name	Description
870010008	MULTI COMPLETE GR10 10B	10 FAP13 3/4 BSP - CAP
870010009	MULTI COMPLETE GR10 10B	10 FAP13 1/2 BSP - CAP
870010010	MULTI COMPLETE GR10 10B	10 FAP13 1/2 NPT - CAP
870010109	MULTI FIX GR10 10B	10 FAP13 1/2 BSP
870010111	MULTI FIX GR10 8B	4 FAP13 1/2 SAE - 4 FAP13 3/4 SAE
870010112	MULTI FIX GR10 8B	8 FAP13 3/4 SAE
870010209	MULTI MOBILE GR10 10B	10 FAP13 1/2 BSP
870010211	MULTI MOBILE GR10 8B	4 FAP13 1/2 SAE - 4 FAP13 3/4 SAE

MultiCoupling spare parts (couplings not included)		
Code	Name	Description
806000336	MULTI FIX EMPTY GR10 10B-2EC	
806000337	MULTI MOBILE EMPTY GR10 10B-2EC	
815606262	CAP FIX MULTICOUPLING GR 218x140	
815606263	PARKING STATION MOBILE MULTICOUPLING GR 218x150	
815701056	SPARE KIT LEVER GROUP GR 250x256	

Custom configurations available upon request

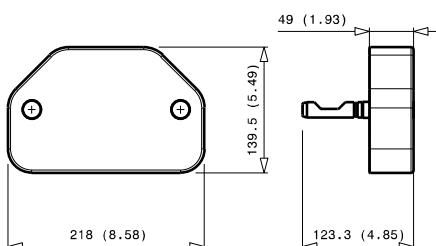
Fixed and mobile multicoupling

7,5 Kg and 4,3 Kg

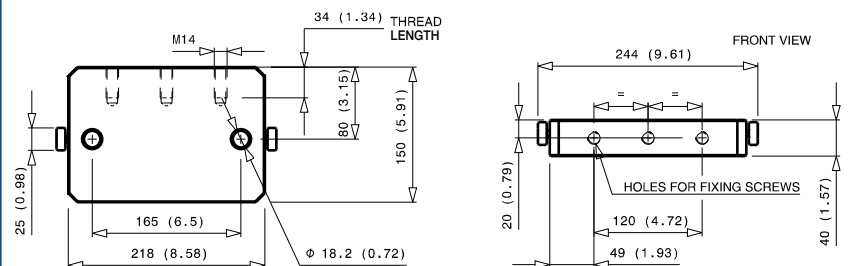


Dimensions in millimeters (inch)

Cap for fixed multicoupling 1,7 Kg



Parking station for mobile multicoupling 3,4 Kg





FAP-ZN SERIES

INTERCHANGE > Stucchi profile (only for Stucchi multicouplings)



Stucchi®



TECHNICAL FEATURES AND OPTIONS

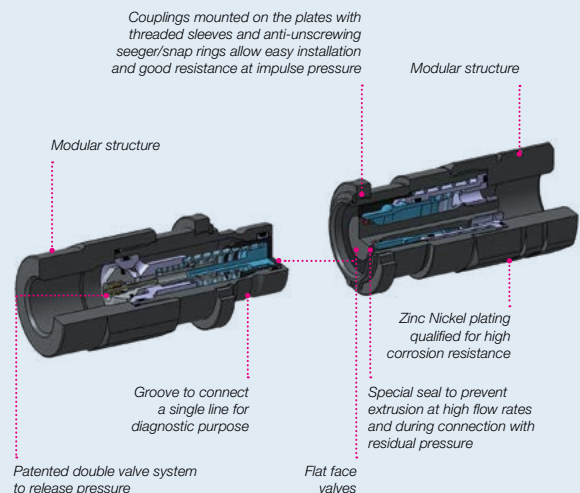
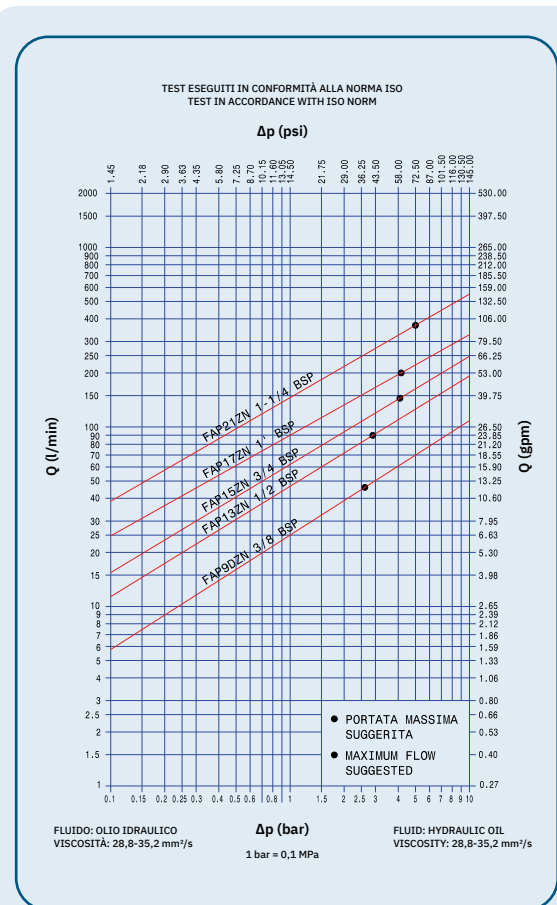
Interchange Stucchi profile (only for Stucchi multicouplings)	Sealing description Nitrile NBR	Connection system By multicoupling
Available sizes from 3/8" to 1"	Material/treatment Carbon steel /Zi-Ni	Available threads BSP - NPT - SAE
Operating pressure Up to 350 bar	Locking mechanism PIN/CAM	Flow rate Up to 378 l/min
Temperature (°C) -20° / +100°	Valving style Flat face	Connection under pressure Connection: Both sides. Disconnection: allowed.

BENEFITS

- Flat face is easy to clean, helping to reduce the inclusion of contamination in the hydraulic circuit.
- Minimal fluid loss during connection/disconnection, reducing fluid loss to the environment.
- Minimal air inclusion during connection/disconnection, enhancing correct function of the circuit.
- Internal flow of valve design creates minimal pressure drop, maintaining circuit efficiency in the system.
- Patented internal pressure release valve system allows an easy connection with high internal residual pressure.
- The modular design allows for broad range of port configurations.
- Couplings without locking balls eliminate the "brinelling" effect.
- Zinc Nickel plating qualified for high corrosion resistance.
- For diagnostic purpose of a single line (example: pressure or flow check for a limited period of time), male FAP-ZN may be connected with a Stucchi "A series" flat face female coupling.
- Compact slim design.
- Safe and simple to use.

HOW TO USE

- See instructions at page 22



MAIN APPLICATIONS



PERFORMANCE

Size		Series/Size	Max. flow suggested		Hydrostatic pushing area coupled	Spillage*
Inch	mm (ISO)		l/min	GPM	Cm ²	ml
3/8	-	FAP9ZN (A/D)	46	12,19	1,226	0,012
1/2	-	FAP13ZN	90	23,85	1,893	0,020
5/8	-	FAP15ZN	148	39,22	2,404	0,110
3/4	-	FAP17ZN	200	53,00	3,298	0,032
1	-	FAP21ZN	378	100,17	4,335	0,035

Size	Series/Size	Max. operating pressure						Burst pressure					
		Coupled		Male		Female		Coupled		Male		Female	
Inch		MPa	psi	MPa	psi	MPa	psi	MPa	psi	MPa	psi	MPa	psi
3/8	FAP9ZN (A/D)	35	5075	35	5075	35	5075	120	17400	120	17400	100	14500
1/2	FAP13ZN	33	4785	33	4785	33	4785	120	17400	120	17400	100	14500
5/8	FAP15ZN	33	4785	33	4785	33	4785	120	17400	120	17400	100	14500
3/4	FAP17ZN	33	4785	33	4785	33	4785	120	17400	120	17400	100	14500
1	FAP21ZN	30	4350	30	4350	30	4350	100	14500	100	14500	80	11600

Size	Series/Size	Max. residual pressure during connection						Max. residual pressure during disconnection	
		Male Female to drain		Female Male to drain		Male and Female		MPa	psi
Inch		MPa	psi	MPa	psi	MPa	psi	MPa	psi
3/8	FAP9ZN (A/D)	25	3625	25	3625	25	3625	25	3625
1/2	FAP13ZN	25	3625	25	3625	20	2900	20	2900
5/8	FAP15ZN	25	3625	25	3625	20	2900	20	2900
3/4	FAP17ZN	25	3625	25	3625	15	2175	15	2175
1	FAP21ZN	25	3625	25	3625	15	2175	15	2175

*Spillage is an indicative value of the fluid loss per couple-uncouple cycle without residual pressure.

Different possible configurations:

Other ports available upon request.

Connection and disconnection with residual pressure in both couplings is recommended for occasional operations only.

For ordinary operations it is suggested to release pressure in one side before to connect and disconnect in way that operator effort and wearing of the couplings are reduced.

Temperature range:

Standard seals NBR, PUR, POM from -20 °C to +100 °C (from -4 °F to +212 °F). Please read carefully "instruction and warning" for proper selection of the products.

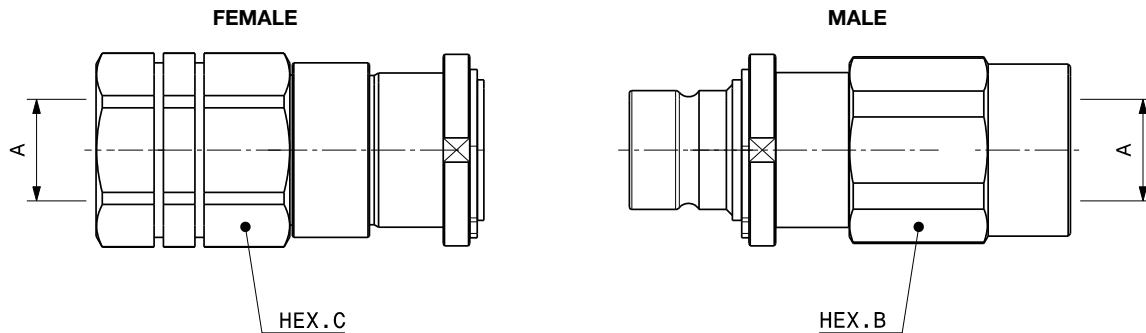
Tests:

The couplings coupled have been tested at max. operating pressure for 200.000 impulses, replacing the seeger ring every 50.000 impulses, in according with ISO norm. The male uncoupled have been tested for 200.000 impulses. The female uncoupled have been tested for 100.000 impulses.

WARNING

A defect, a wrong choice or an improper use of products, can cause injury to persons, animals and objects.
 Never connect or disconnect with dynamic pressure (e.g. pump on).
 Do not use the female coupling disconnected with high impulse pressure.
 Do not couple-uncouple with flow and/or pressure in the circuit.
 Do not couple-uncouple when the temperature inside of the circuit is higher than 80° C (176° F).
 Check the maximum allowable operating pressure of the port in use.
 It is important to limit contamination in the circuit to avoid compromising the function of the internal valves.
 Make sure that the medium used is compatible with seal and material as indicated for each series.
 In case of doubt please contact Stucchi Technical Support.
 FAP-ZN series is intended to be used only on Stucchi Multiconnections. Do not use the FAP-ZN coupling on a Custom-made multiconnection or other device different than a Stucchi Multiconnection.
 Do not disassemble, misuse, modify or damage the products.
 FAP-ZN series is intended to be used with standard hydraulic oils in fluid power application. Do not use the FAP-ZN coupling with different fluids (for example with inflammable, corrosive or dangerous fluids, gases ecc). Replace the seeger ring every 50.000 impulse cycles.
 For dimension "FAP9ZN 3/8": there are two versions of FAP9ZN: "A" and "D". The version is depending on the type of multiconnection in use. Please verify if the multiconnection you are using requires FAP9ZN "A" or "D" type consulting the single datasheet in case of need of spare parts. Contact Stucchi Service for support. Do not use the male FAP-ZN groove to connect the A-series female for a continuous service with pressure impulse (this feature is intended to be used only for diagnostic purpose so that for a short&limited time).
 When the couplings are disconnected, it is suggested to use the protection cap and parking station.
It is MANDATORY to read and closely follow the instructions. Last updated version always apply at time of installation, see latest written Instructions on Stucchi website (stucchigroup.com) before selecting or using Stucchi products.

SPECIFICATIONS

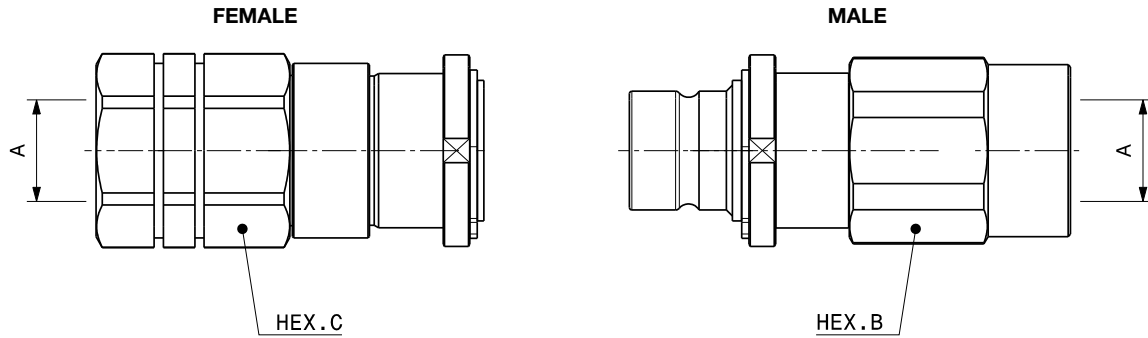


Port description: FEMALE THREAD BSP (ISO 1179-1)

Body size	Descriptive Code	Item Code	Port (A)	A or D type	Hex	Hex		Weight	
						mm	inch	Kg	Lbs
3/8"	F FAP9DZN 1/4 BSP	Female 811400024	1/4"	D	C	30,0	1,18	0,31	0,69
	M FAP9DZN 1/4 BSP	Male 811400025			B	27,0	1,06	0,26	0,57
3/8"	F FAP9AZN 1/4 BSP	Female 811400026	1/4"	A	C	30,0	1,18	0,32	0,70
	M FAP9AZN 1/4 BSP	Male 811400027			B	27,0	1,06	0,22	0,49
3/8"	F FAP9AZN 3/8 BSP	Female 811400002	3/8"	A	C	30,0	1,18	0,26	0,56
	M FAP9AZN 3/8 BSP	Male 811400003			B	27,0	1,06	0,22	0,49
3/8"	F FAP9DZN 3/8 BSP	Female 811400004	3/8"	D	C	30,0	1,18	0,27	0,59
	M FAP9DZN 3/8 BSP	Male 811400005			B	27,0	1,06	0,23	0,51
3/8"	F FAP9AZN 1/2 BSP	Female 811400006	1/2"	A	C	30,0	1,18	0,28	0,61
	M FAP9AZN 1/2 BSP	Male 811400007			B	27,0	1,06	0,22	0,49
3/8"	F FAP9DZN 1/2 BSP	Female 811400008	1/2"	D	C	30,0	1,18	0,26	0,57
	M FAP9DZN 1/2 BSP	Male 811400009			B	27,0	1,06	0,21	0,46
3/8"	M FAP9DZNSD 1/2 BSP	Male 811400031*	1/2"	-	B	29,0	1,14	0,22	0,49
1/2"	F FAP13ZN 1/2 BSP	Female 811400010	1/2"		C	36,0	1,42	0,44	0,98
	M FAP13ZN 1/2 BSP	Male 811400011			B	36,0	1,42	0,44	0,96
1/2"	F FAP13ZN 3/4 BSP	Female 811400012	3/4"		C	36,0	1,42	0,47	1,03
	M FAP13ZN 3/4 BSP	Male 811400013			B	36,0	1,42	0,44	0,97
5/8"	F FAP15ZN 3/4 BSP	Female 811400014	3/4"		C	41,0	1,61	0,59	1,30
	M FAP15ZN 3/4 BSP	Male 811400015			B	36,0	1,42	0,46	1,00
3/4"	F FAP17ZN 3/4 BSP	Female 811400020	3/4"		C	46,0	1,81	1,00	2,20
	M FAP17ZN 3/4 BSP	Male 811400021			B	46,0	1,81	0,84	1,85
3/4"	F FAP17ZN 1 BSP	Female 811400016	1"		C	46,0	1,81	0,93	2,05
	M FAP17ZN 1 BSP	Male 811400017			B	46,0	1,81	0,76	1,66
1"	F FAP21ZN 1 BSP	Female 811400022	1"		C	55,0	2,17	1,69	3,72
	M FAP21ZN 1 BSP	Male 811400023			B	55,0	2,17	1,39	3,06
1"	F FAP21ZN 1-1/4 BSP	Female 811400018	1-1/4"		C	55,0	2,17	1,53	3,38
	M FAP21ZN 1-1/4 BSP	Male 811400019			B	55,0	2,17	1,22	2,69

* to be used with Multi GR10 10A-2EC V03

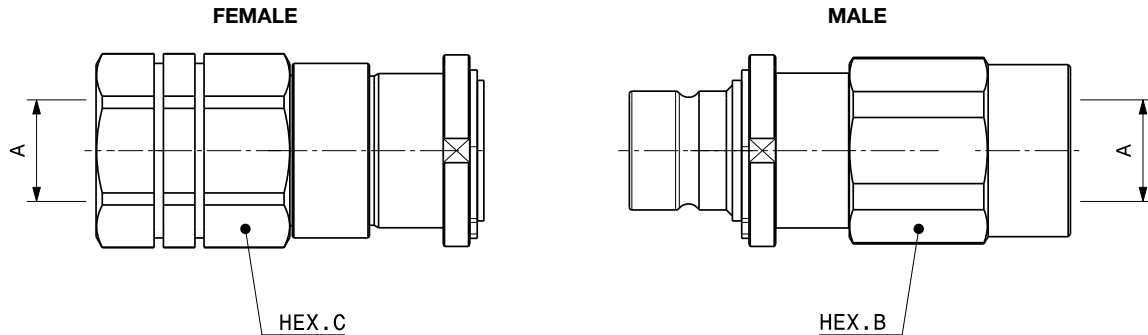
SPECIFICATIONS



Port description: FEMALE THREAD NPT (ANSI B1.20.1)

Body size	Descriptive Code	Item Code	Port (A)	A or D type	Hex		Weight		
					mm	inch	Kg	Lbs	
3/8"	F FAP9AZN 3/8 NPT	Female 811401002	3/8"	A	C	30,0	1,18	0,27	0,59
	M FAP9AZN 3/8 NPT	Male 811401003			B	27,0	1,06	0,23	0,50
3/8"	F FAP9DZN 3/8 NPT	Female 811401004	3/8"	D	C	30,0	1,18	0,27	0,59
	M FAP9DZN 3/8 NPT	Male 811401005			B	27,0	1,06	0,23	0,50
3/8"	F FAP9AZN 1/2 NPT	Female 811401006	1/2"	A	C	30,0	1,18	0,28	0,62
	M FAP9AZN 1/2 NPT	Male 811401007			B	27,0	1,06	0,23	0,50
3/8"	F FAP9DZN 1/2 NPT	Female 811401008	1/2"	D	C	30,0	1,18	0,27	0,58
	M FAP9DZN 1/2 NPT	Male 811401009			B	27,0	1,06	0,23	0,50
1/2"	F FAP13ZN 1/2 NPT	Female 811401010	1/2"		C	36,0	1,42	0,47	1,04
	M FAP13ZN 1/2 NPT	Male 811401011			B	36,0	1,42	0,44	0,97
1/2"	F FAP13ZN 3/4 NPT	Female 811401012	3/4"		C	36,0	1,42	0,49	1,08
	M FAP13ZN 3/4 NPT	Male 811401013			B	36,0	1,42	0,45	0,99
5/8"	F FAP15ZN 3/4 NPT	Female 811401014	3/4"		C	41,0	1,61	0,62	1,36
	M FAP15ZN 3/4 NPT	Male 811401015			B	36,0	1,42	0,46	1,02
3/4"	F FAP17ZN 3/4 NPT	Female 811401020	3/4"		C	46,0	1,81	0,99	2,18
	M FAP17ZN 3/4 NPT	Male 811401021			B	46,0	1,81	0,75	1,66
3/4"	F FAP17ZN 1 NPT	Female 811401016	1"		C	46,0	1,81	0,98	2,16
	M FAP17ZN 1 NPT	Male 811401017			B	46,0	1,81	0,77	1,69
1"	F FAP21ZN 1 NPT	Female 811401022	1"		C	55,0	2,17	1,70	3,75
	M FAP21ZN 1 NPT	Male 811401023			B	55,0	2,17	1,40	3,09
1"	F FAP21ZN 1-1/4 NPT	Female 811401018	1-1/4"		C	55,0	2,17	1,63	3,59
	M FAP21ZN 1-1/4 NPT	Male 811401019			B	55,0	2,17	1,26	2,78

SPECIFICATIONS



Port description: FEMALE THREAD SAE (ISO 11926-1 & SAEJ1926-1)

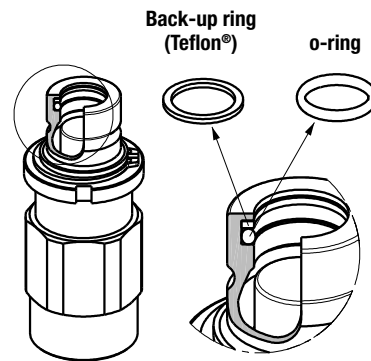
Body size	Descriptive Code	Item Code	Port (A)	A or D type	Hex		Weight		
					mm	inch	Kg	Lbs	
3/8"	F FAP9AZN 1/4 SAE	Female 811404020	7/16-UNF	A	C	27,0	1,06	0,32	0,70
	M FAP9AZN 1/4 SAE	Male 811404021			B	30,0	1,18	0,26	0,57
3/8"	F FAP9DZN 1/4 SAE	Female 811404022	7/16-UNF	D	C	27,0	1,06	0,32	0,70
	M FAP9DZN 1/4 SAE	Male 811404023			B	30,0	1,18	0,26	0,58
3/8"	F FAP9AZN 3/8 SAE	Female 811404024	9/16-18UNF	A	C	27,0	1,06	0,26	0,57
	M FAP9AZN 3/8 SAE	Male 811404025			B	30,0	1,18	0,23	0,51
3/8"	F FAP9DZN 3/8 SAE	Female 811404026	9/16-18UNF	D	C	27,0	1,06	0,27	0,60
	M FAP9DZN 3/8 SAE	Male 811404027			B	30,0	1,18	0,24	0,53
3/8"	F FAP9AZN 1/2 SAE	Female 811404002	3/4-16UNF	A	C	27,0	1,06	0,28	0,62
	M FAP9AZN 1/2 SAE	Male 811404003			B	30,0	1,18	0,23	0,50
3/8"	F FAP9DZN 1/2 SAE	Female 811404004	3/4-16UNF	D	C	27,0	1,06	0,28	0,62
	M FAP9DZN 1/2 SAE	Male 811404005			B	30,0	1,18	0,23	0,50
3/8"	F FAP9AZN 5/8 SAE	Female 811404006	7/8-14UNF	A	C	27,0	1,06	0,27	0,60
	M FAP9AZN 5/8 SAE	Male 811404007			B	30,0	1,18	0,26	0,58
3/8"	F FAP9DZN 5/8 SAE	Female 811404008	7/8-14UNF	D	C	27,0	1,06	0,27	0,60
	M FAP9DZN 5/8 SAE	Male 811404009			B	30,0	1,18	0,23	0,50
1/2"	F FAP13ZN 1/2 SAE	Female 811404028	3/4-16UNF		C	36,0	1,42	0,45	1,00
	M FAP13ZN 1/2 SAE	Male 811404029			B	36,0	1,42	0,44	0,96
1/2"	F FAP13ZN 5/8 SAE	Female 811404010	7/8-14UNF		C	36,0	1,42	0,47	1,04
	M FAP13ZN 5/8 SAE	Male 811404011			B	36,0	1,42	0,45	0,99
1/2"	F FAP13ZN 3/4 SAE	Female 811404012	1-1/16-12UN		C	36,0	1,42	0,47	1,03
	M FAP13ZN 3/4 SAE	Male 811404013			B	36,0	1,42	0,43	0,95
5/8"	F FAP15ZN 3/4 SAE	Female 811404014	1-1/16-12UN		C	41,0	1,61	0,60	1,32
	M FAP15ZN 3/4 SAE	Male 811404015			B	36,0	1,42	0,43	0,95
3/4"	F FAP17 3/4 SAE	Female 811404030	1-1/16-12UN		C	46,0	1,81	1,01	2,23
	M FAP17ZN 3/4 SAE	Male 811404031			B	46,0	1,81	0,84	1,84
3/4"	F FAP17ZN 1 SAE	Female 811404016	1-5/16-12UN		C	46,0	1,81	0,96	2,11
	M FAP17ZN 1 SAE	Male 811404017			B	46,0	1,81	0,75	1,66
1"	F FAP21ZN 1 SAE	Female 811404032	1-5/16-12UN		C	55,0	2,17	1,67	3,69
	M FAP21ZN 1 SAE	Male 811404033			B	55,0	2,17	1,38	3,05
1"	F FAP21ZN 1-1/4 SAE	Female 811404018	1-5/8-12UN		C	55,0	2,17	1,58	3,47
	M FAP21ZN 1-1/4 SAE	Male 811404019			B	55,0	2,17	1,27	2,80



SPARE KIT SEAL FOR MALE

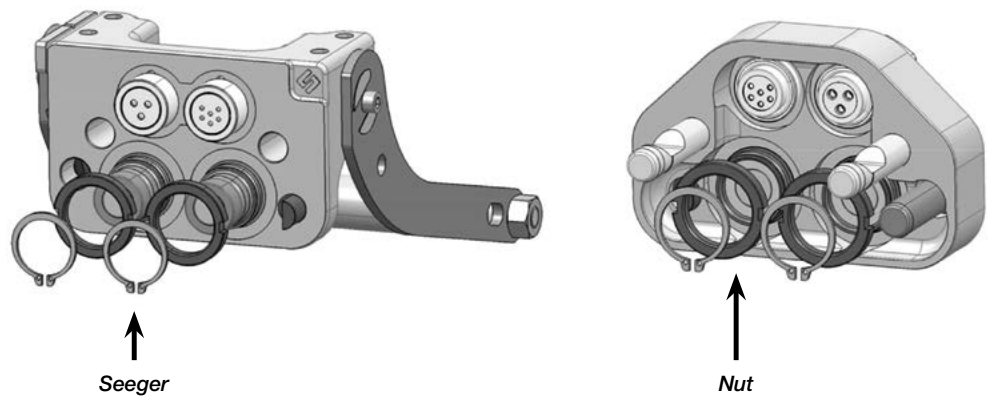
Repair kit / OR+BK		
Body Size	Description	Part Number
3/8"	M FAP9ZN	815701096
1/2"	M FAP13ZN	815700339
5/8"	M FAP15ZN	815700341
3/4"	M FAP17ZN	815700655
1"	M FAP21ZN	815700345

O-Ring in Nitrile
BackUp in Teflon®



REPAIR KIT/NUT + SEEGER

Repair kit / Nut + Seeger	
Part Number	Description
815701000	SET OF 10 SEEGER+NUT FAP9AZN
815701001	SET OF 10 SEEGER+NUT FAP9DZN
815701002	SET OF 10 SEEGER+NUT FAP13AZN
815701003	SET OF 5 SEEGER+NUT FAP15AZN
815701004	SET OF 5 SEEGER+NUT FAP17AZN
815701005	SET OF 5 SEEGER+NUT FAP21AZN





FAP-HP SERIES













INTERCHANGE > Stucchi profile (only for Stucchi multicouplings)



Stucchi®



TECHNICAL FEATURES AND OPTIONS

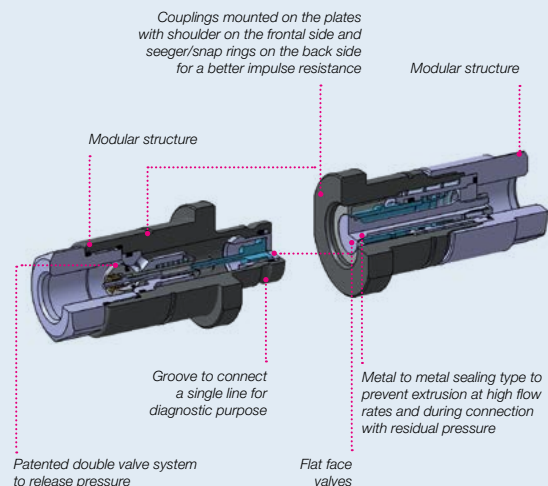
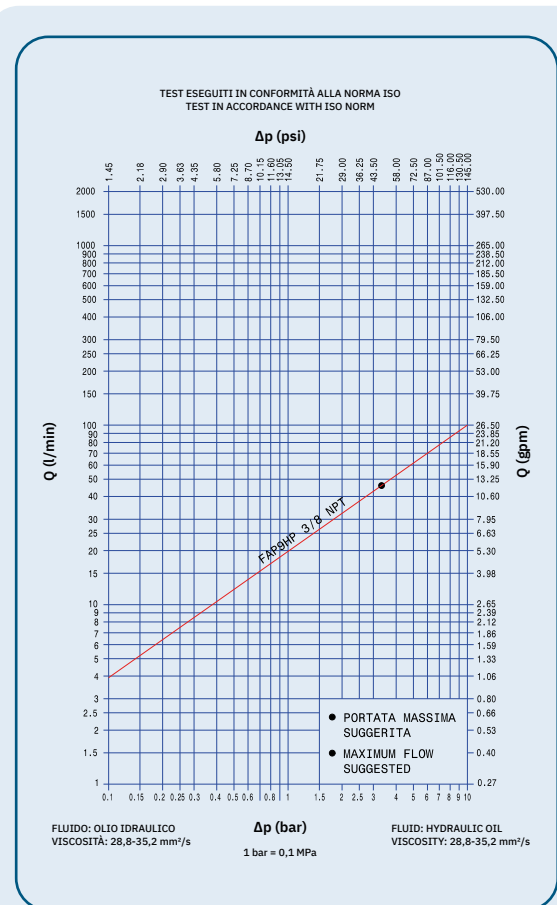
 Interchange Stucchi profile (only for Stucchi multicouplings)	 Sealing description Nitrile NBR	 Connection system By multicoupling
 Available sizes 3/8"	 Material/treatment Carbon steel /Cr3-QPQ	 Available threads NPT
 Operating pressure Up to 720 bar	 Locking mechanism PIN/CAM	 Flow rate Up to 46 l/min
 Temperature (°C) -20° / +100°	 Valving style Flat face	 Connection under pressure Connection: Both sides. Disconnection: allowed.

BENEFITS

- Flat face is easy to clean, helping to reduce the inclusion of contamination in the hydraulic circuit.
- Minimal fluid loss during connection / disconnection, reducing fluid loss to the environment.
- Minimal air inclusion during connection / disconnection, enhancing correct function of the circuit.
- Internal flow of valve design creates minimal pressure drop, maintaining circuit efficiency in the system.
- Patented internal pressure release valve system allows an easy connection with high internal residual pressure.
- The modular design allows for broad range of port configurations.
- Couplings without locking balls eliminate the "brinelling" effect.
- For diagnostic purpose of a single line (example: pressure or flow check for a limited period of time), male FAP9HP may be connected with a Stucchi "A9HP serie" flat face female coupling.
- Compact slim design.
- Safe and simple to use.

HOW TO USE

- See instructions at page 23



MAIN APPLICATIONS



PERFORMANCE

Size		Series/Size	Max. flow suggested		Hydrostatic pushing area coupled	Spillage*
Inch	mm (ISO)		l/min	GPM	Cm ²	ml
3/8	-	FAP9HP	46	12,19	1,168	0,012

Size	Series/Size	Max. operating pressure						Burst pressure					
		Coupled		Male		Female		Coupled		Male		Female	
Inch		MPa	psi	MPa	psi	MPa	psi	MPa	psi	MPa	psi	MPa	psi
3/8	FAP9HP	72	10440	72	10440	42	6090	180	26100	200	29000	125	18125

Size	Series/Size	Max. residual pressure during connection						Max. residual pressure during disconnection	
		Male Female to drain		Female Male to drain		Male and Female		MPa	psi
Inch		MPa	psi	MPa	psi	MPa	psi	MPa	psi
3/8	FAP9HP	25	3625	25	3625	25	3625	25	3625

* Spillage is an indicative value of the fluid loss per couple-uncouple cycle without residual pressure.

Connection and disconnection with residual pressure in both couplings is recommended for occasional operations only.
For ordinary operations it is suggested to release pressure in one side before to connect and disconnect in way that operator effort and wearing of the couplings are reduced.

Temperature range:

Seals in NBR (Nitrile): from -20 °C to +100 °C (from -4 °F to +212 °F).

Tests:

The couplings have been tested at max. operating pressure for 10.000 impulses in according with ISO norm.

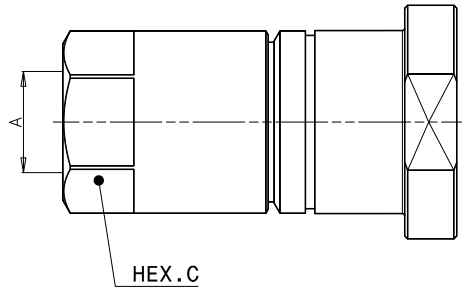
⚠ WARNING

A defect, a wrong choice or an improper use of products, can cause injury to persons, animals and objects.
Never connect or disconnect with dynamic pressure (e.g. pump on).
Do not use the female coupling disconnected with high impulse pressure.
Do not couple-uncouple with flow and/or pressure in the circuit.
Do not couple-uncouple when the temperature inside of the circuit is higher than 80 °C (176 °F).
Check the maximum allowable operating pressure of the port in use.
Make sure that the medium used is compatible with seal and material as indicated for each series.
In case of doubt please contact Stucchi Technical Support.
It is MANDATORY to read and closely follow the instructions. Last updated version always apply at time of installation, see latest written Instructions on Stucchi website (stucchigroup.com) before selecting or using Stucchi products.

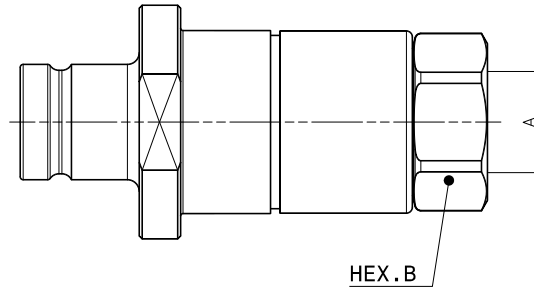
When the couplings are disconnected, it is suggested to use the protection cap and parking station.
It is important to limit contamination in the circuit to avoid compromising the function of the internal valve
FAP-HP series is intended to be used only on Stucchi Multiconnections. Do not use the FAP-HP coupling on a Custom-made multiconnection or other device different than a Stucchi Multiconnection.
FAP-HP series is intended to be used with standard hydraulic oils in fluid power application. Do not use the FAP-HP coupling with different fluids (for example with inflammable, corrosive or dangerous fluids, gases ecc).
Please verify if the multiconnection you are using requires FA9HP type consulting the single multicoupling datasheet
Do not use the male FAP-ZN groove to connect the A-HP series female for a continuous service with pressure impulse (this feature is intended to be used only for diagnostic purpose for a short&limited time).

SPECIFICATIONS

FEMALE



MALE



Port description: FEMALE THREAD NPT (ANSI B1.20.1)

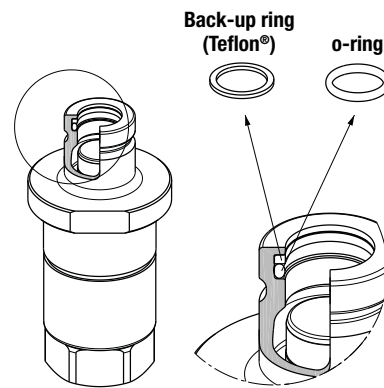
Body size	Descriptive Code	Item Code	Port (A)	A or D type	Hex		Weight		
					mm	inch	Kg	Lbs	
3/8"	F FAP9HP 3/8 NPT	Female 807101000	3/8"	-	C	27,0	1,06	0,31	0,68
	M FAP9HP 3/8 NPT	Male 807101001			B	27,0	1,06	0,31	0,67



SPARE KIT SEAL FOR MALE

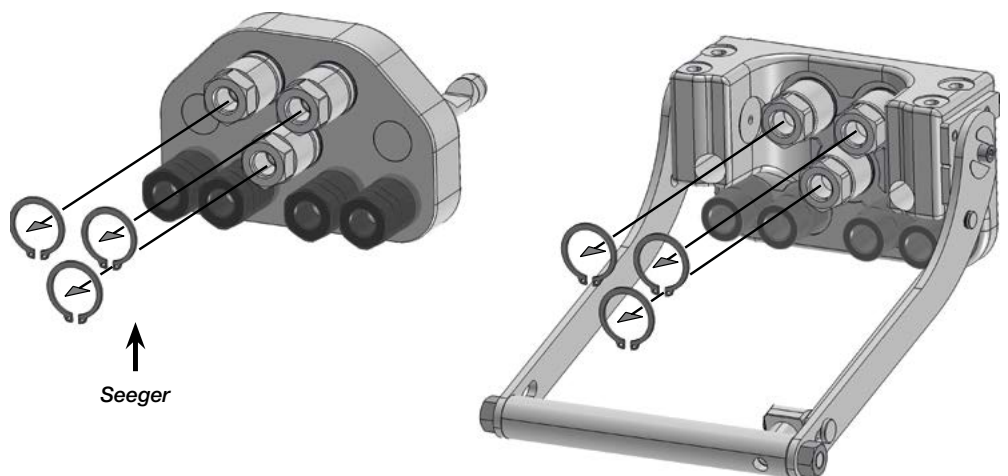
Repair kit / OR+BK		
Body Size	Description	Part Number
3/8"	FAP9HP	815701119

O-Ring in Nitrile
BackUp in Teflon®



REPAIR KIT/SEEGER

Repair kit/Seeger	
Part Number	Description
815701038	SET OF 5 SEEGER FOR PLUG FAP9HP





FAQSERIES













INTERCHANGE > Stucchi profile (only for Stucchi multicouplings)



Stucchi®



TECHNICAL FEATURES AND OPTIONS

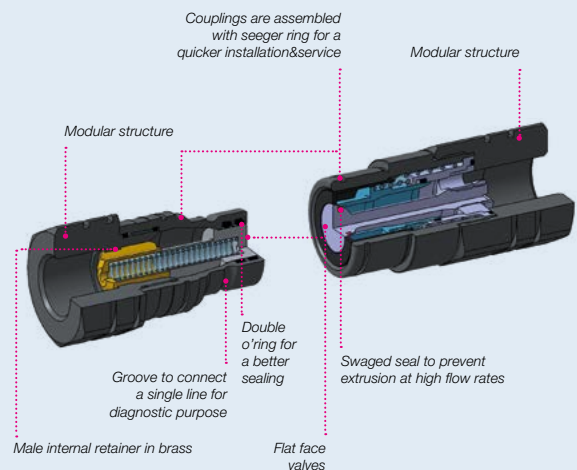
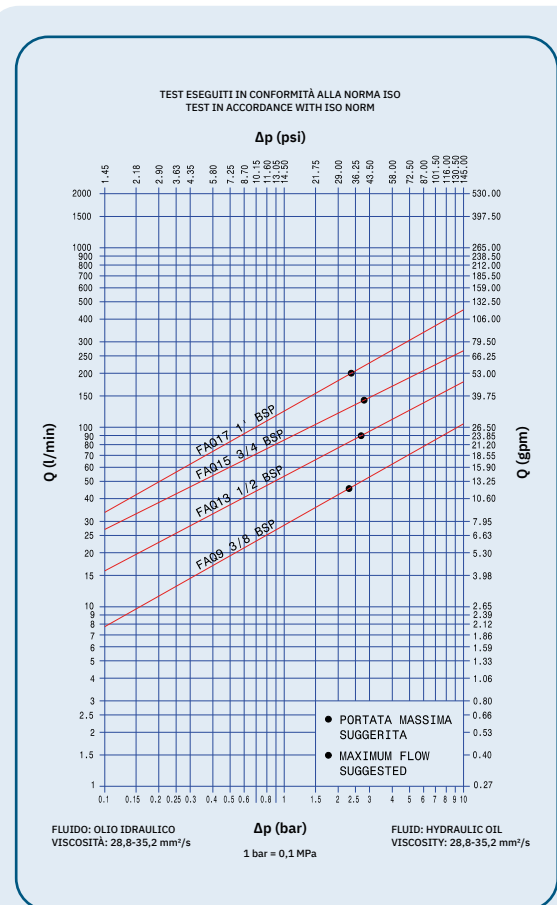
 Interchange Stucchi profile (only for Stucchi multicouplings)	 Sealing description Nitrile NBR	 Connection system By multicoupling
 Available sizes from 3/8" to 3/4"	 Material/treatment Carbon steel-Stainless steel/QPQ	 Available threads BSP - NPT
 Operating pressure Up to 20 bar	 Locking mechanism PIN/CAM	 Flow rate Up to 200 l/min
 Temperature (°C) oil -20°/+100° water +5°/+60°	 Valving style Flat face	 Connection under pressure Connection: not allowed. Disconnection: not allowed.

BENEFITS

- Designed to be used with fluids like air, water or water & glycol lines.
- Flat face is easy to clean, helping to reduce the inclusion of contamination to the hydraulic circuit.
- Minimal fluid loss during connection/disconnection, reducing fluid loss to the environment.
- Minimal air inclusion during connection/disconnection, enhancing correct function of the circuit.
- Linear flow reduces internal turbulence and pressure drop, maintaining circuit efficiency in the entire system.
- Superior corrosion resistance compared to zinc plating in specific corrosive environments (example: water, water&glycol, cooling fluids).
- The modular design allows flexibility with the range of port configurations.
- Allows to conduct in the same multiconnection different fluids.
- Double oring in the male valving to improve sealing action when connected.
- For diagnostic purpose of a single line (example: pressure or flow check for a short&limited time), male FAQ may be connected with a Stucchi FIRG-Q series flat face female.
- Couplings are assembled with a seeger ring for a quicker mounting or service on the multiconnection.

HOW TO USE

- See instructions at page 24



MAIN APPLICATIONS



PERFORMANCE

Size		Series/Size	Max. flow suggested		Hydrostatic pushing area coupled	Spillage*
Inch	mm (ISO)		l/min	GPM	Cm ²	ml
3/8	-	FAQ9	46	12,19	1,226	0,012
1/2	-	FAQ13	90	23,85	1,893	0,020
5/8	-	FAQ15	148	39,22	2,404	0,026
3/4	-	FAQ17	200	53,00	3,298	0,032

Size	Series/Size	Max. operating pressure					
		Coupled		Male		Female	
Inch		MPa	psi	MPa	psi	MPa	psi
3/8	FAQ9	2	290	2	290	2	290
1/2	FAQ13	2	290	2	290	2	290
5/8	FAQ15	2	290	2	290	2	290
3/4	FAQ17	2	290	2	290	2	290

* Spillage is an indicative value of the fluid loss per couple-uncouple cycle without residual pressure.

Different possible configurations:

Different threads available upon request.

Temperature range:

Seals in NBR (Nitrile):

- for oil, from -20° C to +100° C (from -4° F to +212° F).
- for water, from +5° C + 60° C (from +41° F to +140° F).

Upon request seals in VITON®: from -15°C to +180°C (from +5 °F to +356 °F).

Upon request EPDM (Ethylene Propylene) seals: from -40°C to +150°C (from -40 °F to +302 °F). Please read carefully "instruction and warning" for proper selection of the products.

WARNING

A defect, a wrong choice or an improper use of products, can cause injury to persons, animals and objects.

Never connect or disconnect with dynamic pressure (e.g. pump on).
Do not use the female coupling disconnected with high impulse pressure.

Do not couple-uncouple with flow and/or pressure in the circuit.

Do not couple-uncouple when the temperature inside of the circuit is higher than 80 °C (176 °F).

Check the maximum allowable operating pressure of the port in use.

Make sure that the medium used is compatible with seal and material as indicated for each series.

In case of doubt please contact Stucchi Technical Support.

It is MANDATORY to read and closely follow the instructions. Last updated version always apply at time of installation, see latest written Instructions on Stucchi website (stucchigroup.com) before selecting or using Stucchi products.

Connection and disconnection has to be done without pressure only

When the multicoupling is disconnected, it is suggested to use the protection caps&parking station.

Do not disassemble, misuse, modify or damage the products.

FAQ series is intended to be used only on Stucchi Multiconnections. Do not use the FAQ coupling on a Custom-made multiconnection or other device different than a Stucchi Multiconnection.

FAQ series has been tested&approved for use with water. FAQ series is intended to be used only with not dangerous fluids (water, water&glycol, hydraulic oil) . Do not use

FAQ couplings with dangerous, flammable or explosive fluids (steam, acids, very hot/flammable oils, gases, dangerous gases etc.). Contact Stucchi Service for support.

Do not use FAQ couplings with very hot fluids (limits given by NBR seal compatibility&temperature range – see "performance" of FAQ serie).

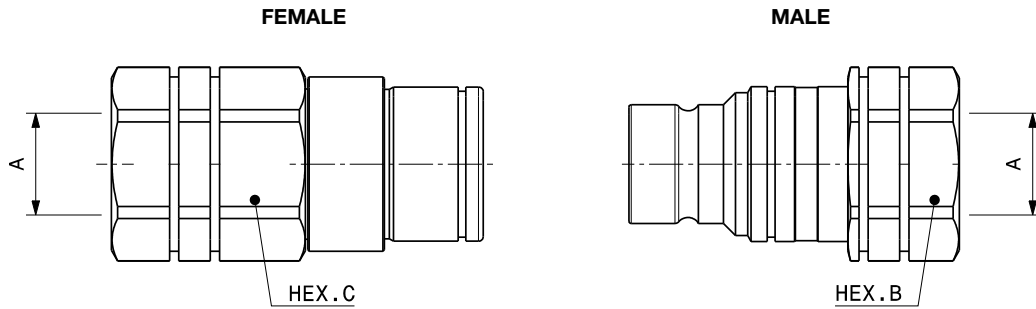
Do not use FAQ couplings with fluids below the freezing point to avoid damages due to ice expansion and consequential extrusion of the valving

For dimension "FAQ9 - size 3/8": there are two versions of FAQ9: "A" and "D". The version is depending the type of multiconnection are in use. Please verify if the

multiconnection you are using requires FAQ9 "A" or "D" type consulting the single datasheet in case of need of spare parts. See specific instruction.

Contact Stucchi Service for support.

SPECIFICATIONS



Port description: FEMALE THREAD BSPP (ISO 1179-1)

Body size	Descriptive Code	Item Code	Port (A)	A or D type	Hex	Hex		Weight	
						mm	inch	Kg	Lbs
3/8"	F FAQ9A 3/8 BSP	Female 806900018	3/8"	A	C	30,0	1,18	0,24	0,54
	M FAQ9A 3/8 BSP	Male 806900019			B	27,0	1,06	0,16	0,35
3/8"	F FAQ9D 3/8 BSP	Female 806900022	3/8"	D	C	30,0	1,18	0,24	0,54
	M FAQ9D 3/8 BSP	Male 806900023			B	27,0	1,06	0,18	0,39
1/2"	F FAQ13 1/2 BSP	Female 806900006	1/2"	-	C	36,0	1,42	0,42	0,93
	M FAQ13 1/2 BSP	Male 806900007			B	36,0	1,42	0,28	0,63
5/8"	F FAQ15 3/4 BSP	Female 806900010	3/4"	-	C	41,0	1,61	0,58	1,29
	M FAQ15 3/4 BSP	Male 806900011			B	36,0	1,42	0,30	0,65

Port description: FEMALE THREAD NPT (ANSI B1.20.1)

Body size	Descriptive Code	Item Code	Port (A)	A or D type	Hex	Hex		Weight	
						mm	inch	Kg	Lbs
3/8"	F FAQ9D 3/8 NPT	Female 806901022	3/8"	D	C	30,0	1,18	0,24	0,53
	M FAQ9D 3/8 NPT	Male 806901023			B	27,0	1,06	0,18	0,39
5/8"	F FAQ15 3/4 NPT	Female 806901010	3/4"	-	C	44,8	1,77	0,59	1,30
	M FAQ15 3/4 NPT	Male 806901011			B	38,5	1,52	0,52	1,15

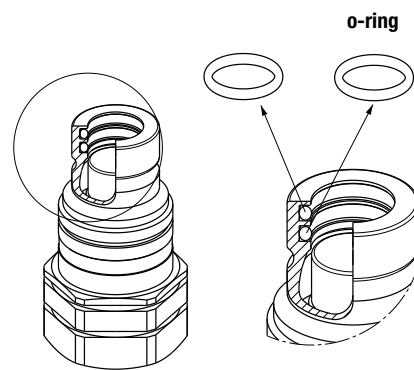
Size 3/4 (FAQ17) available upon request.



SPARE KIT SEAL FOR MALE

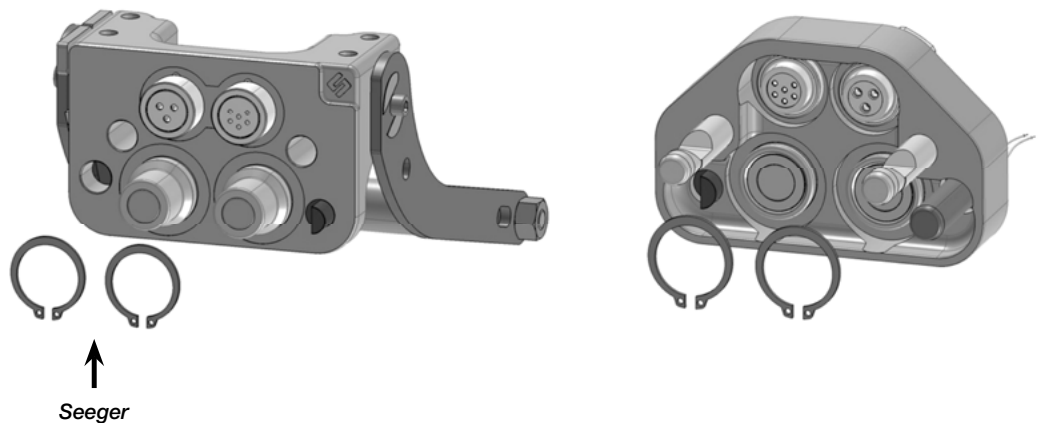
Repair kit / OR+BK		
Body Size	Description	Part Number
3/8"	SET OF 10 OR NBR M FAQ9	815701065
1/2"	SET OF 10 OR NBR M FAQ13	815701067
5/8"	SET OF 10 OR NBR M FAQ15	815701069

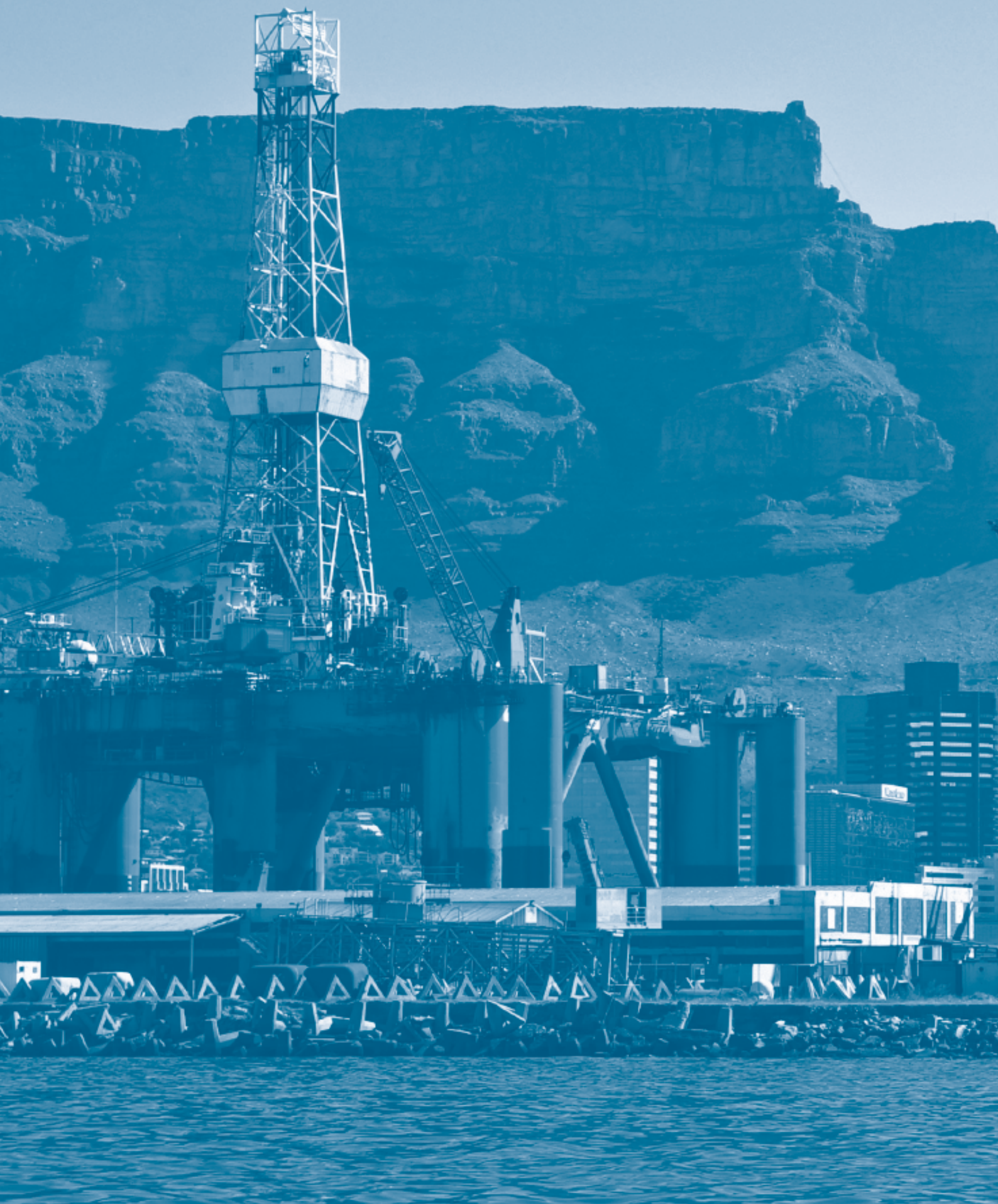
O-Ring in Nitrile
(kit composed of 10 O-Ring for male coupling; 1 male = 2 O-Ring)



REPAIR KIT/SEEGER

Repair kit/Seeger	
Part Number	Description
815701033	SET OF 10 SEEGER FOR PLUG FAP-FAQ9
815701034	SET OF 10 SEEGER FOR PLUG FAP-FAQ13
815701035	SET OF 5 SEEGER FOR PLUG FAP-FAQ15
815701036	SET OF 5 SEEGER FOR PLUG FAP-FAQ17



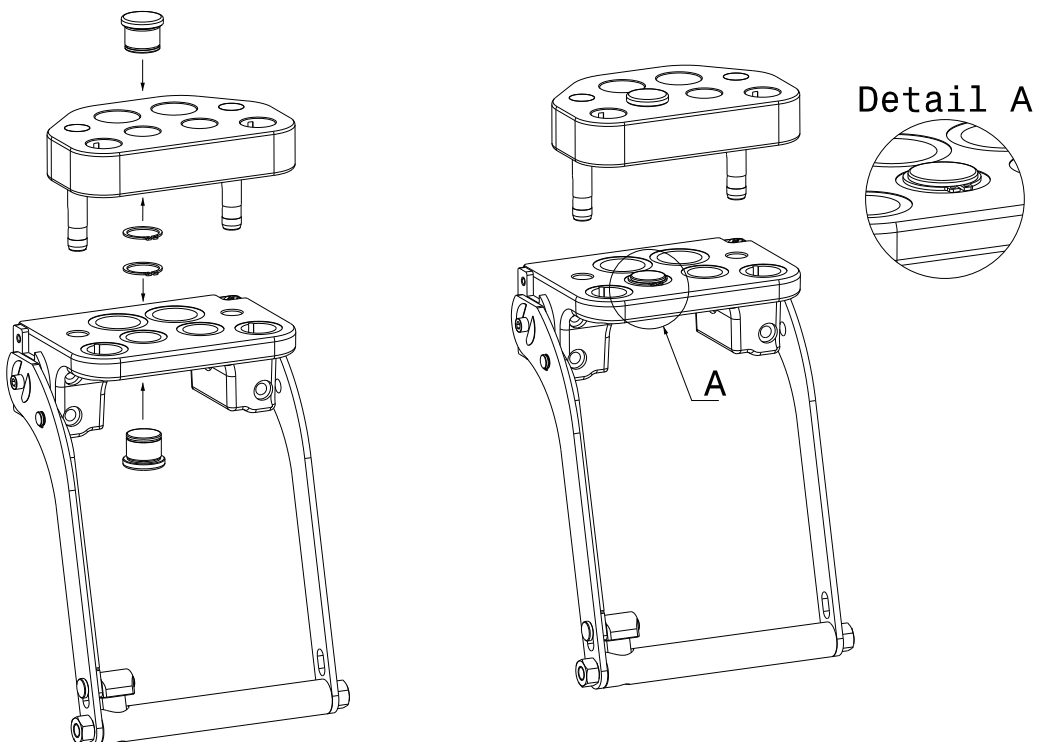




When the multicoupling chosen has one or more holes where no couplings or electrical connectors are fitted, it is important to cover the holes with the proper plugs in order to avoid dirt entering the multicoupling. The plugs for multicouplings holes are made in black anodized aluminum.

Installation

- Put the plug in the corresponding hole of mobile or fixed multiconnection.
- Assemble the seeger ring with proper pliers.
- Check the correct positioning of the seeger ring after assembly.
- To disassemble: same as above but reverse process.



PLUGS

Plugs	
Body Size	Description
815701030	SET OF 5 PLUGS FOR HOLE MULTI FIX FAP9HP
815701031	SET OF 5 PLUGS FOR HOLE MULTI MOBILE FAP9HP
815701018	SET OF 10 PLUGS FOR HOLE MULTI FIX FAP-FAQ9
815701020	SET OF 10 PLUGS FOR HOLE MULTI MOBILE FAP-FAQ9
815701022	SET OF 10 PLUGS FOR HOLE MULTI FIX FAP-FAQ13
815701023	SET OF 10 PLUGS FOR HOLE MULTI MOBILE FAP-FAQ13
815701024	SET OF 5 PLUGS FOR HOLE MULTI FIX FAP-FAQ15
815701025	SET OF 5 PLUGS FOR HOLE MULTI MOBILE FAP-FAQ15
815701026	SET OF 5 PLUGS FOR HOLE MULTI FIX FAP-FAQ17
815701027	SET OF 5 PLUGS FOR HOLE MULTI MOBILE FAP-FAQ17
815701028	SET OF 5 PLUGS FOR HOLE MULTI FIX FAP-FAQ21
815701029	SET OF 5 PLUGS FOR HOLE MULTI MOBILE FAP-FAQ21

Kit composed of only plugs, to fix in the plate you need also seeger ring (see table here below)

SEEGER RING

Seeger ring	
Body Size	Description
815701033	SET OF 10 SEEGER FOR PLUG FAP-FAQ9
815701034	SET OF 10 SEEGER FOR PLUG FAP-FAQ13
815701035	SET OF 5 SEEGER FOR PLUG FAP-FAQ15
815701036	SET OF 5 SEEGER FOR PLUG FAP-FAQ17
815701037	SET OF 5 SEEGER FOR PLUG FAP-FAQ21
815701038	SET OF 5 SEEGER FOR PLUG FAP9HP



WARNING

Pay attention not to damage the seeger ring during the assembly
 Do not leave any open hole (without plug) in the multiconnection in order to avoid dirt to enter in the parts.
 Do not disassemble, misuse, modify or damage the products.





In addition to the couplings for fluid energy transmission, it is possible to fit in the multicouplings the electrical connectors for the electric energy transmission. They are suitable for all very low tension electronic (max 24 V) devices such as instrumentation, signals, solenoid valves, etc.

Technical features and options



Interchange
Stucchi profile



Ampere
12 service to 15 max (each contact)



Max. number of contacts
7



Voltage
24 V max.



Seals
NBR (Nitrile)



Connection contact and electrical wire
To crimp



Construction material
Body brass nickel plated; cable retainer in plastic



IP protection
Not listed



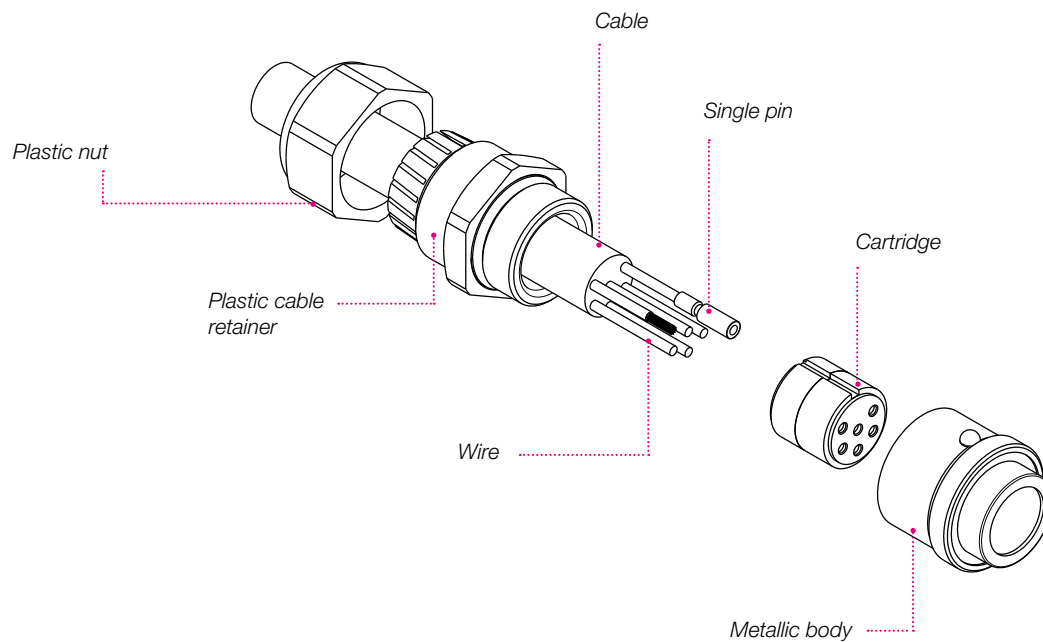
Contact diameter
2 mm

New name	Previous description	Family	Electrical Connector				Page
			3/8"		1/2"		
			6 POLES (EC6) electrical connetor female - male	7 POLES (EC7) electrical connetor female - male	6 POLES (EC6) electrical connetor female - male	7 POLES (EC7) electrical connetor female - male	
DP2 2A-1EC	DP2-9ZN	DP	806422000-039	-	-	-	30
DP2 2A-2EC V04	DP2-9L	DP	806422000-039	-	-	-	32
DP2 2B-1EC	DP2-13ZN	DP	-	-	806422010-035	806422024-043	34
DP2 2B-2EC V04	DP2-13L	DP	-	-	806422010-035	806422024-043	36
DP2 2C	DP2-15	DP	-	-	-	-	38
DP2 2D	DP2-17ZN	DP	-	-	-	-	40
DP2 1A-1B	DPT2ZN	DP	-	-	-	-	42
DP3 1A-1B-1EC	DPT3ZN	DP	-	806422012-027	-	-	44
DP3 1A-2C-1EC V04		DP	806422000-063	-	-	-	46
DP3 1C-2E	DP3GE	DP	-	-	-	-	48
DP3 2A-1EC	DPJ3ZN	DP	806422000-021	806422012-033	-	-	50
DP4 4A V02	DP4-9FAZN	DP	806422000-039	-	-	-	50
DP4 4A-2EC	DP4-9ZN	DP	806422000-039	-	-	-	52
DP4 4B-2EC	DP4-13ZN	DP	-	-	806422010-035	806422024-043	54
DP6 4A-2EC	DP6-9ZN	DP	806422000-041	-	-	-	56
DP6 2A-4D-2EC	DP6AD	DP	on request	on request	-	-	58
GR3 3A-1EC	GR3-9ZN	GR	806422000-001	806422012-013	-	-	60
GR3 3B-1EC	GR3-13ZN	GR	-	-	806422010-011	806422024-025	62
GR3 1A-2E-1EC	GRK3ZN	GR	806422000-007	806422012-019	-	-	64
GR3 2B-1C-2EC	GRI3	GR	-	-	806422010-011	806422024-025	66
GR4 2A-1B-1C-2EC	GRI4SBZN	GR	806422000-007	806422012-019	-	-	68
GR4 2A-2B-2EC	GRB4ZN	GR	806422000-007	806422012-019	-	-	70
GR4 2A-1B-1D-2EC	GR4MRZN	GR	806422000-007	806422012-019	-	-	72
GR4 2A-1C-1D-2EC	GRI4ZN	GR	806422000-007	806422012-019	-	-	74
GR4 2A-2C-2EC	GRI4TBZN	GR	806422000-007	806422012-019	-	-	76
GR5 2B-3D-2EC	GR5AAZN	GR	-	-	806422010-011	806422024-025	78
GR5 3A-1D-1E-2EC	GRD5ZN	GR	806422000-007	806422012-019	-	-	80
GR5 2B-2C-1E-2EC	GRZ5ZN	GR	-	-	806422010-011	806422024-025	82
GR5 5C	GR5-15ZN	GR	-	-	-	-	84
GR6 6A-2EC	GR6-9ZN	GR	806422000-001	806422012-013	-	-	86
GR6 4A-2B-2EC	GRT6ZN	GR	806422000-007	806422012-019	-	-	88
GR4 4B-2D-4EC	GR6ABZN	GR	-	-	806422010-011	806422024-025	90
GR6 2A-2B-2C-2EC	GRM6MCZN	GR	806422000-007	806422012-019	-	-	92
GR6 6B-2EC	GR6-13ZN	GR	-	-	806422010-011	806422024-025	94
GR6 3A-1B-1C-1D-2EC	GRC6ZN	GR	806422000-007	806422012-019	-	-	96
GR6 1A-1B-1C-2D-1EC	GRP6ZN	GR	806422000-007	806422012-019	-	-	98
GR6 2A-2C-2D-2EC	GRM6ZN	GR	806422000-007	806422012-019	-	-	100
GR6 2A-2B-1D-1E-2EC	GRU6ZN	GR	806422000-007	806422012-019	-	-	102
GR6 2B-4D-2EC	GR6LLZN	GR	-	-	806422010-011	806422024-025	104
GR6 2A-4C-2EC	GRM6ALZN	GR	806422000-007	806422012-019	-	-	106
GR6 2A-1B-2D-1E-3EC	GR6AF	GR	806422000-007	806422012-019	806422010-011	806422024-025	108
GR7 4A-3B-4EC	GR7ABZN	GR	806422000-007	806422012-019	-	-	110
GR7 4A-3B-4EC V01	GR7ABZNLC	GR	806422000-007	806422012-019	-	-	110
GRHP7 7A-4EC	GR7ACZN	GR	806422000-007	806422012-019	-	-	112
GR7 4A-1B-2D-4EC	GR7AAZN	GR	806422000-007	806422012-019	-	-	114
GR8 6A-2B-6EC	GR8ABZN	GR	806422000-007	806422012-019	-	-	116
GR8 7A-1D-7EC	GR8AAZN	GR	806422000-007	806422012-019	-	-	118
GR10 10A-2EC	GR10-9ZN	GR	806422000-007	806422012-019	-	-	120
GR10 10A-2EC V01	GR10-9LCZN	GR	806422000-007	806422012-019	-	-	120
GR10 10A-2EC V03	GR10-9ZNSD	GR	-	-	-	-	120
GR10 10B-2EC	GR10-13ZN	GR	-	-	806422010-011	806422024-025	122

Upon request different number of contacts.

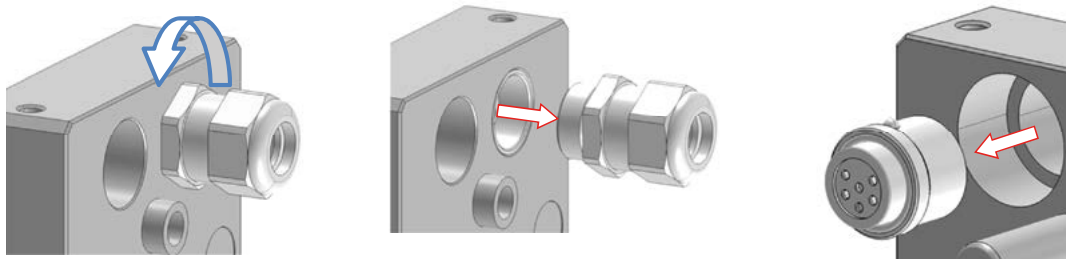
Installation

Stucchi electrical connectors are normally supplied already assembled on the Stucchi multicouplings or could be supplied as a spare part to be replaced on a Stucchi multicoupling.

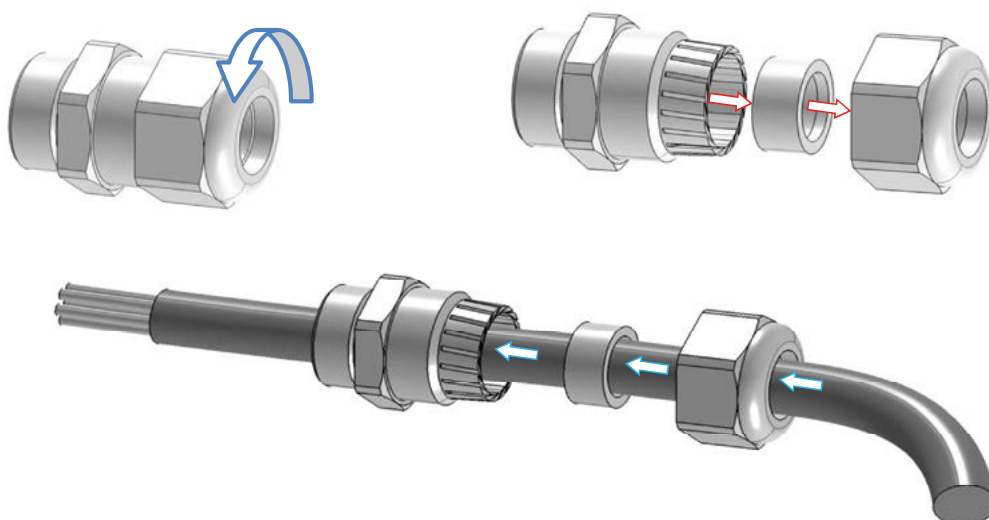


A. If the electrical connector is assembled on a Stucchi multi coupling proceed as following instruction:

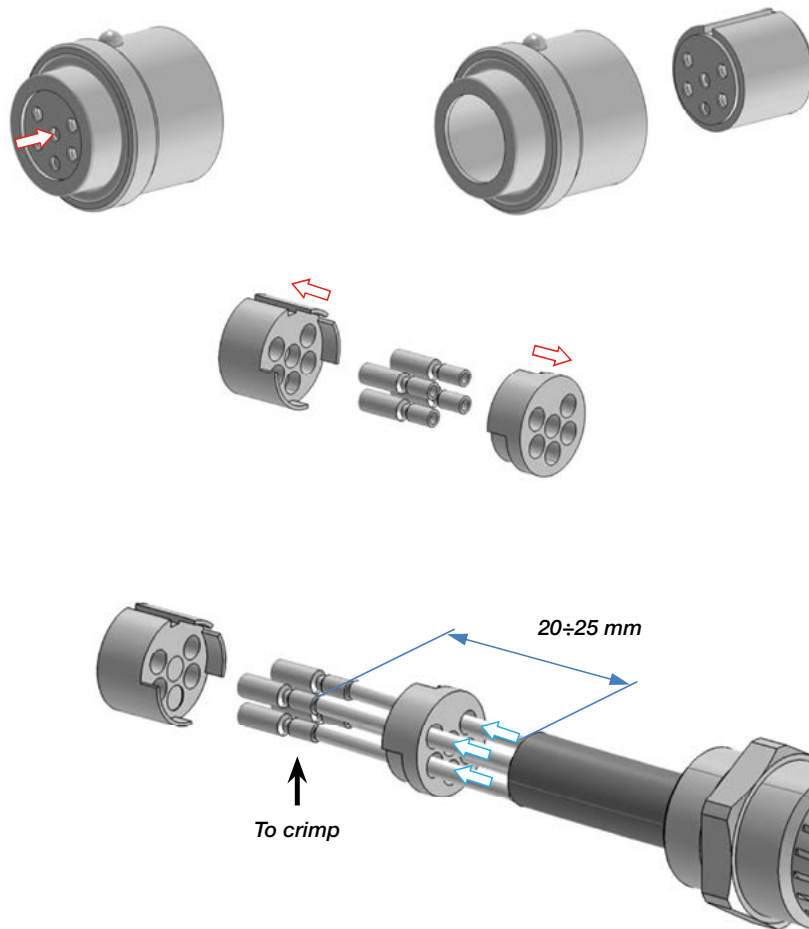
Unscrew the cable retainer from the back of the multi coupling & extract the electrical connector from the multi coupling, separating the plastic cable retainer from the metallic body of the electrical connector.



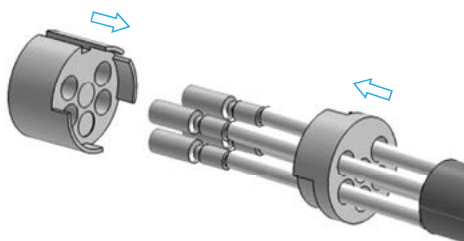
Unscrew the plastic nut from the cable retainer, then insert the cable in the plastic cable retainer, so strip the cable for a length of 30 mm and the single wires for 10 mm.



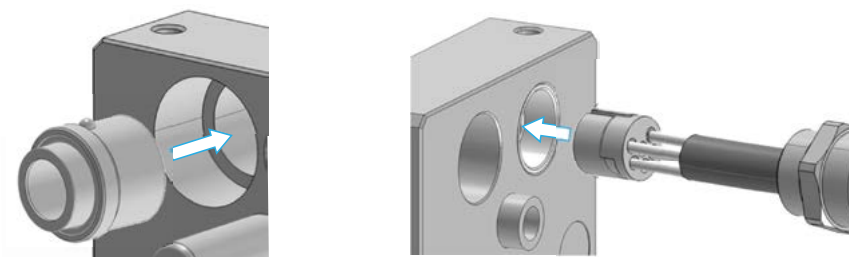
Open the electrical connector cartridge to extract the single pins.
Install the single cable wire crimping the end on the pin with the proper tool.



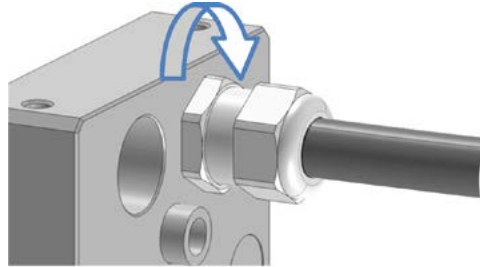
Assemble the cartridge with all the pins & wiring crimped.



Insert the metal body of the electrical connector at the back of the multicoupling. Insert the cable with all the group assembled on.
Allow the alignment of the groove on the cartridge with the pin in the hole of the multiconnection.



Screwing the plastic nut with the metallic body (a manual torque is enough, do not overtorque). Push the cable in direction of the connector, while screw the (cable retainer) plastic nut to lock the cable and verify if there is no space for accidental incoming of water or dirt between cable and cable retainer sealing (a manual torque is enough, do not overtorque). The cable has to adhere to the cable retainer not allowing water, dirt or moisture to enter in. The male electrical connector is provided with a plastic protection: ensure this protection is sliding correctly on the pins after assembly.



Before connecting clean the flat mating surface to avoid inclusion of contamination. Connect and disconnect in according to the instruction of use for multicoupling. Test the correct functioning of the electrical connector.

B. If the electrical connector is supplied as a spare part to be replaced on a Stucchi multi coupling

Same as above but start by opening the electrical connector separating the plastic cable retainer from the upper metal body.

! WARNING

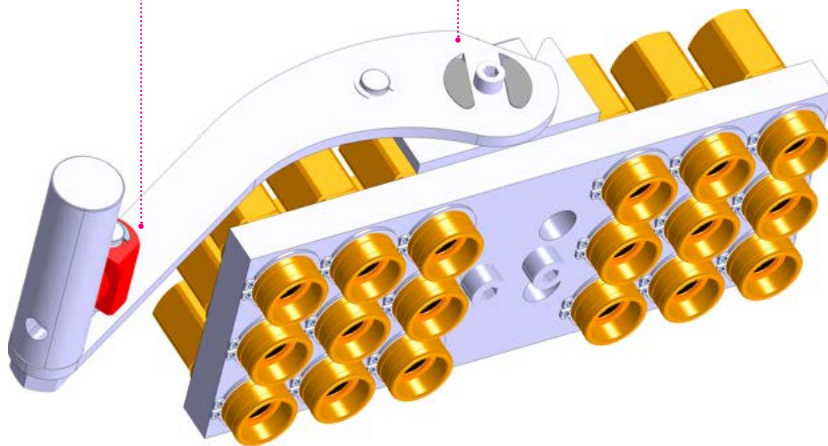
A defect, a wrong choice or an improper use of products, can cause injury to persons, animals and objects. It is **MANDATORY** to read and closely follow the instructions. Last updated version always apply at time of installation, see latest written Instructions on Stucchi website (stucchigroup.com) before selecting or using Stucchi products.
Do not pull the cable assembly during the use in order to avoid damages of the electrical connector.
Do not weld the electrical connector pins, they are intended to be assembled by crimping with proper tool.
Do not use the electrical connector with high voltage or high amperage.
Do not connect or disconnect with power in the lines! Always shut off the power prior to connect&disconnect.
Do not touch with hand, finger or tools the pins. Do not shortcircuit, misuse or modify the parts.
Avoid liquids, dirts, particles or other objects touching the pins: shortcircuits may happen!
The products are intended to be used in Stucchi multiconnection only. Do not use the electrical connectors on a Custom-made multiconnection or other device different than a Stucchi Multiconnection.
Every multiconnection has to be fitted with the corresponding electrical connector. For spare parts consult the list of EC at following page and the single datasheet of the multiconnection in use. Contact Stucchi Service for support.

Levers & Locking

*Ergonomic lever for easy connection/
disconnection with Safety lock system
avoids accidental disconnection*

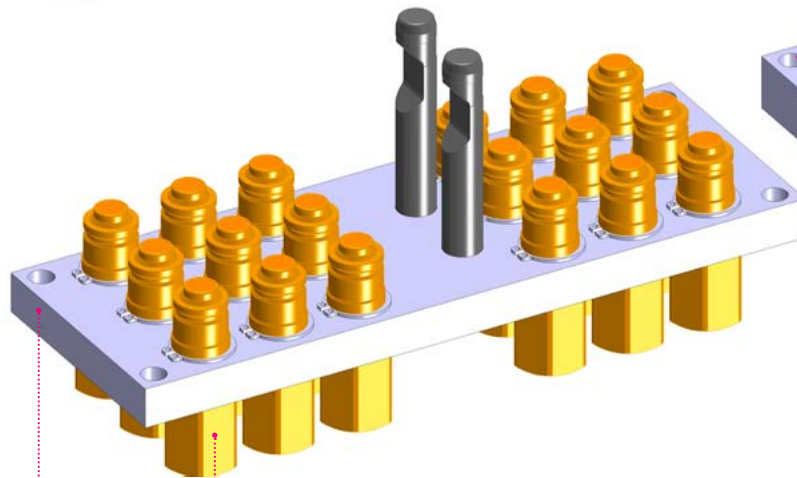
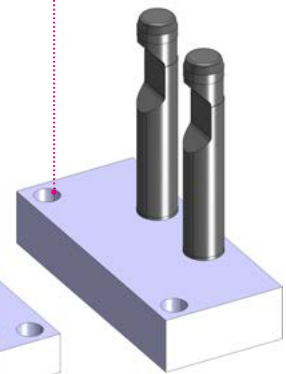
Mobile plate

*For GRE multiconnection family
is the part with the lever, normally
installed on the attachment.*



Parking station

*To park and protect
the mobile half
when disconnected
from the machine.*



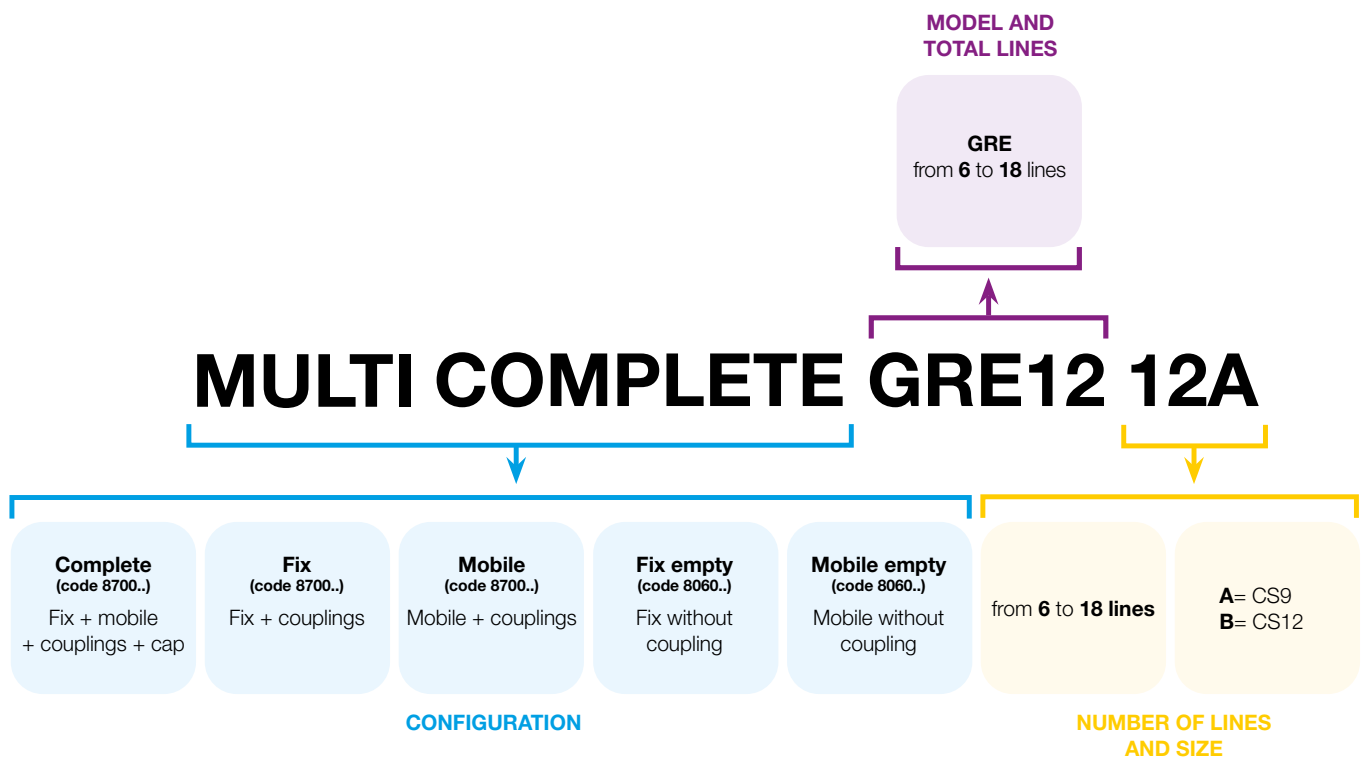
Male & female couplings

*Equipped with special valve to connect&disconnect the hydraulic,
water or pneumatic lines. Made in brass with stainless steel springs.*

Fixed plate

*For GRE multiconnection family is the part with the pins
but without the lever, normally installed on the machine.*

The stucchi multicoupling description can help you to easily know the characteristics of a multicoupling: configuration and model, number of lines and size, presence of electrical connectors. See the example below...

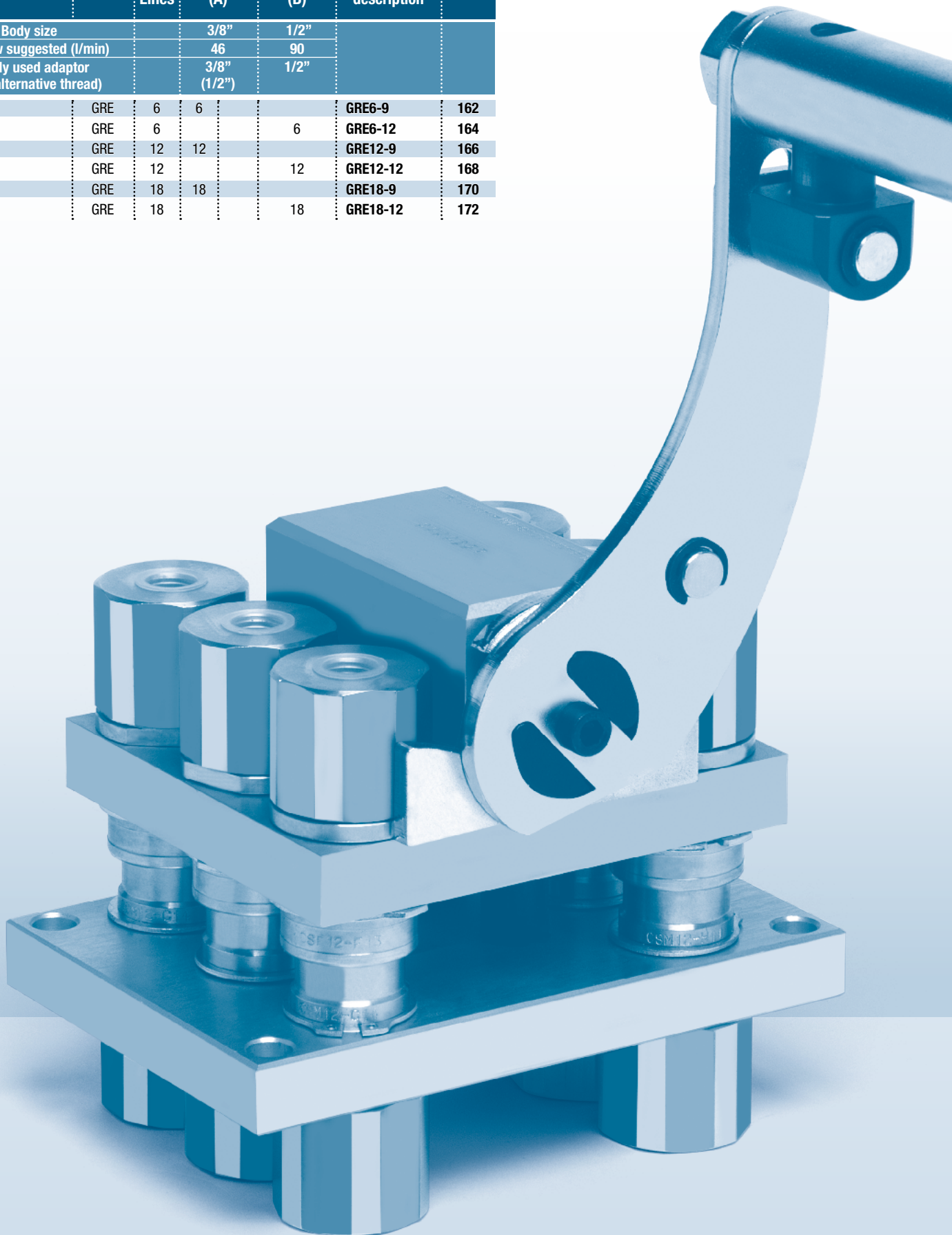


GRE: multi map



Stucchi®

New name	Family	Total Lines	CS9 (A)	CS12 (B)	Previous description	Page
Body size			3/8"	1/2"		
Max flow suggested (l/min)			46	90		
Mostly used adaptor (main alternative thread)			3/8" (1/2")	1/2"		
GRE6 6A	GRE	6	6		GRE6-9	162
GRE6 6B	GRE	6		6	GRE6-12	164
GRE12 12A	GRE	12	12		GRE12-9	166
GRE12 12B	GRE	12		12	GRE12-12	168
GRE18 18A	GRE	18	18		GRE18-9	170
GRE18 18B	GRE	18		18	GRE18-12	172



Water/Glycol - Air/Oil

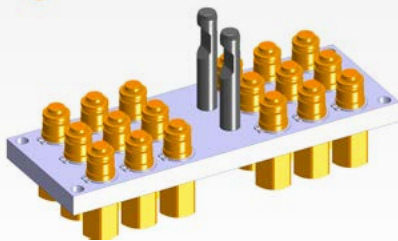
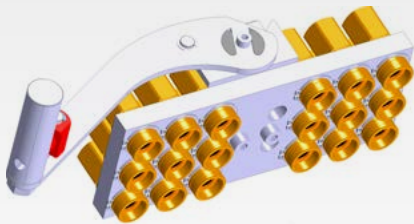
Operating pressure up to
10 bar - 145 PSI

Connection/Disconnection
without residual pressure

GRE

Features

- UP to 18 lines
- Plates in anodized aluminum
- Couplings in Brass



CHOOSE CONFIGURATION OF THE MULTICOUPLING



1 Dimension your CS couplings

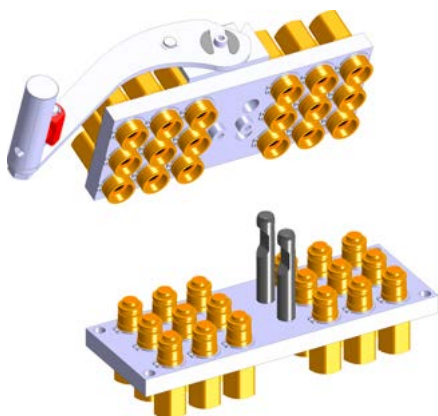
Coupling size choice is based on:

- Flow/Pressure drop
- Operating pressure max 10 bar (check on the CS serie datasheet)
- Hose/Port size



2 Define your configuration = List your couplings (CS9 or CS12, total number of CS)

Eg: 6 x size 3/8"



3 Choose the multicoupling for your configuration

Use the overview table "Multi description" to choose the multicoupling for your listing/configuration

*Eg: 6 x size 3/8" = choose GRE6-9
(6 lines with 6 CS9=3/8 couplings)*

Advices:

1. you can increase the size of couplings to have a better match with an existing configuration.
2. In case of too many lines, you may need to divide your configuration in different plates.

Technical features and options



Interchange

Stucchi internal specification



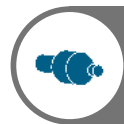
Available threads

BSP NPT hose barb or other port available on request



Mechanical connection

Internal cams and locking pins



Valving style

Non Spill type



Connection/disconnection system

Rotating the lever & lock the safety button



Operating pressure

Up to 10 bar/145 psi



Construction material and surface treatment

Body plates in aluminum alloy - anodizing surface treatment; lever in carbon steel with CRIII zinc plating. Cams and pins in high resistance carbon steel with nitriding (QPQ) treatment.



Flow rate

Up to 90 l/min - 24 gpm



Nominal diameter available

3/8" (CS9) - 1/2" (CS12)



Temperature

- for oil, from -20° C to +100° C
(from -4° F to +212° F)
- for water, from +5° C + 60° C
(from +41° F to +140° F)



Connection under pressure

not allowed

Application



Agriculture



Oil&Gas



Industry



High Pressure



Cooling



Refrigeration



Earth Moving



Vehicles



Hydraulic Equipment



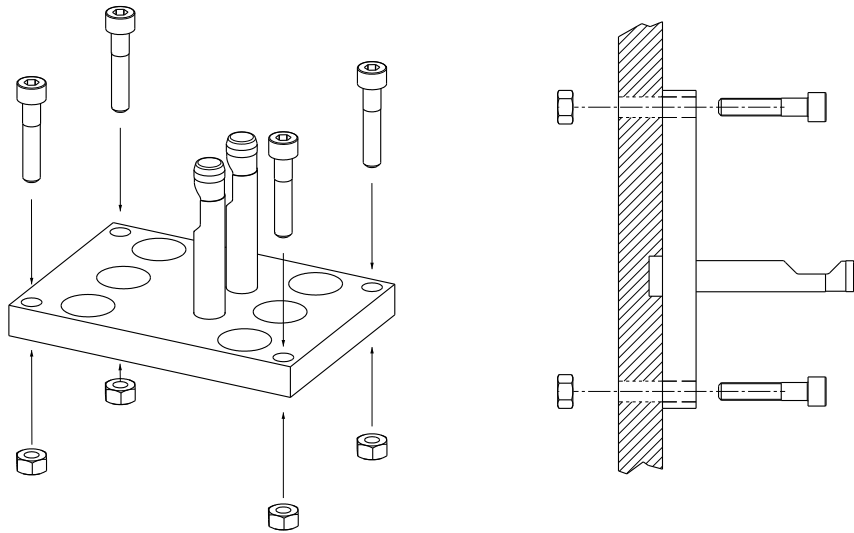
Chemical & Food Industry

Benefits

- Optimal solution for industrial application with a operating pressure up to 10 bar.
- Designed to be used for hydraulic oil-water/cooling-pneumatic application.
- Quick connection and disconnection of up to eighteen (18) hydraulic, water-cooling and pneumatic lines without any risk to incorrect connection of the lines.
- Ergonomic lever for easy connect/disconnect.
- Non spill valve design couplers reduces environmental issue of leakage.
- No risk of misalignment with guide pin design.
- Couplers mounted with snap rings for ease of installation or replacement.
- Easily mounted on new equipment or retrofit on pre-existing system.

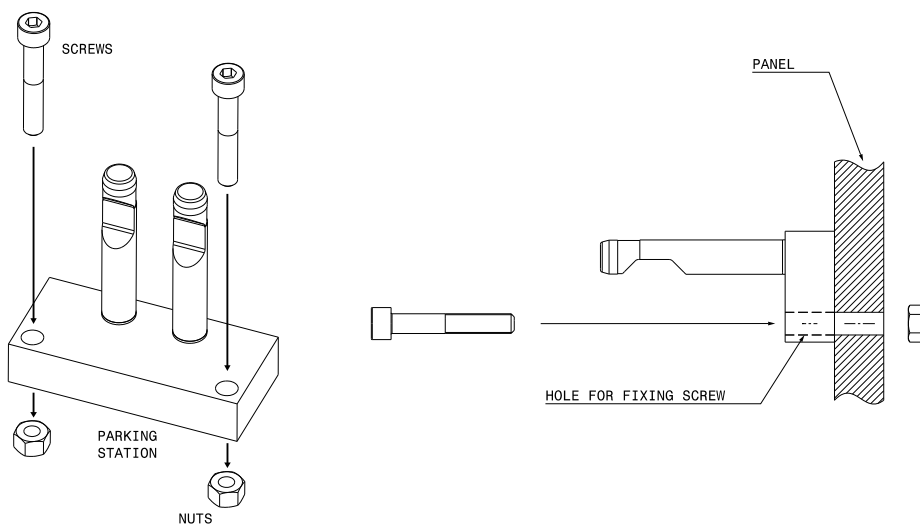
Installation

Fix the fixed multicoupling on the machine using fixing screws as indicated in the drawing here below. The multiconnection may be installed with the coupling in vertical or horizontal position. After having assembled the couplings on the hoses, place the couplings in the holes of the multicouplings and lock them with the seeger rings. Please refer to correspondent CS coupling series datasheet for further information.



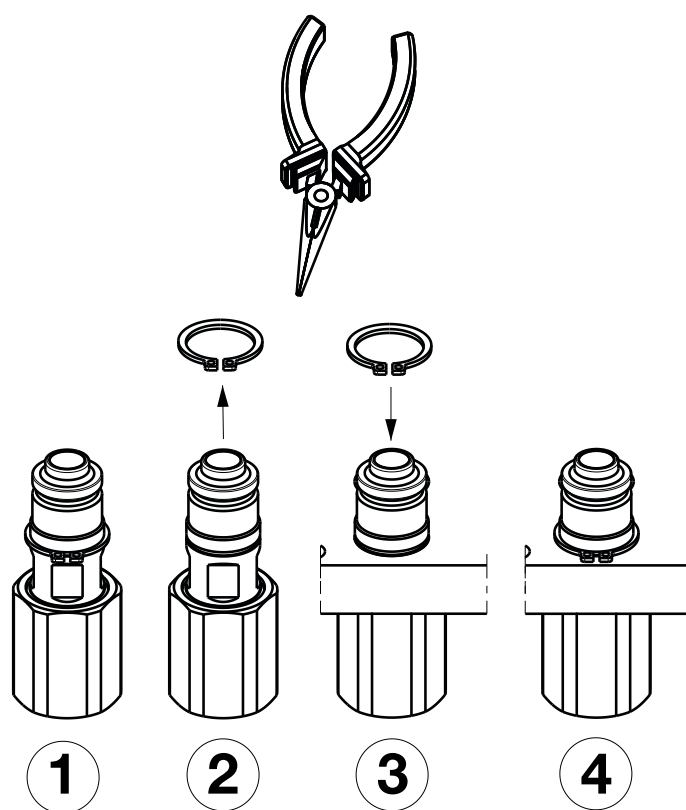
To install the parking station

To install the parking station ensure the space to assemble the parking station is enough to allow the correct connection & disconnection in an ergonomic way. Check the drawing of the parking station. Fix the parking station body on the machine or the frame of the attachment using fixing screws as indicated in the drawing of the corresponding parking station.



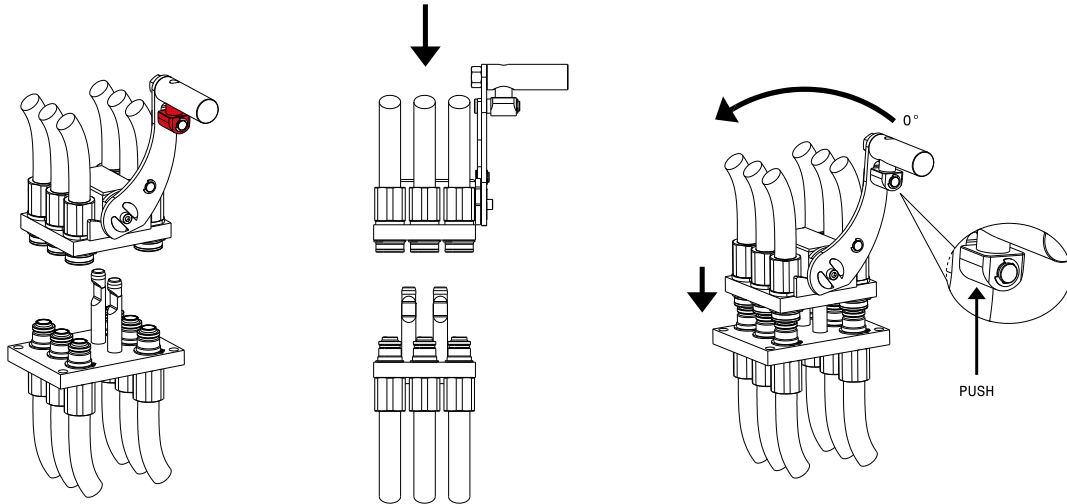
CS: How to install

- CS couplings are normally supplied already assembled on the Stucchi multiconnection or may be supplied as a spare part to be replaced on a Stucchi multiconnection.
- Use flexible hoses to connect the couplings; avoid to use rigid pipes as they could transmit excessive side load&vibration to the multiconnection.
- To assemble/disassemble the CS couplings on the multiconnection: take away the seeger ring from the groove, assemble the flexible hose on the end port, insert the coupling in the proper hole of the multiconnection; then assemble the seeger ring to lock the CS coupling in the multiconnection. See the sequence below 1... 4 and viceversa to disassemble.
- Be careful during the assembly of the seeger ring: if damaged replace it with a new one.
- Before to couple clean the flat mating surface of quick coupling to avoid the inclusion of dirt in the circuit.

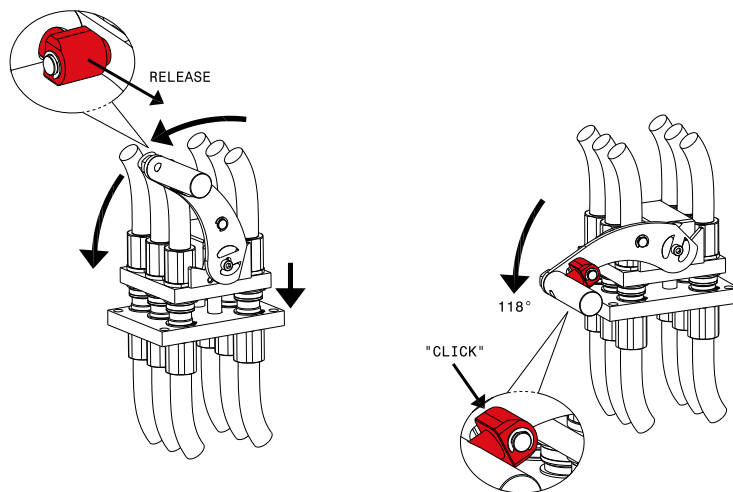


To connect

Release the pressure in the system. Before merging the two halves of the Stucchi multicoupling, ensure that the flat mating surfaces of the couplings are clean to avoid inclusion of dirt in the circuit. Handle needs to be in the 12 o'clock starting position. Align and insert guide pins on fixed half into the mating port on the mobile half until pins are fully inserted. Engage red locking mechanism on the handle (by pushing the red button) and move handle in a downward direction.

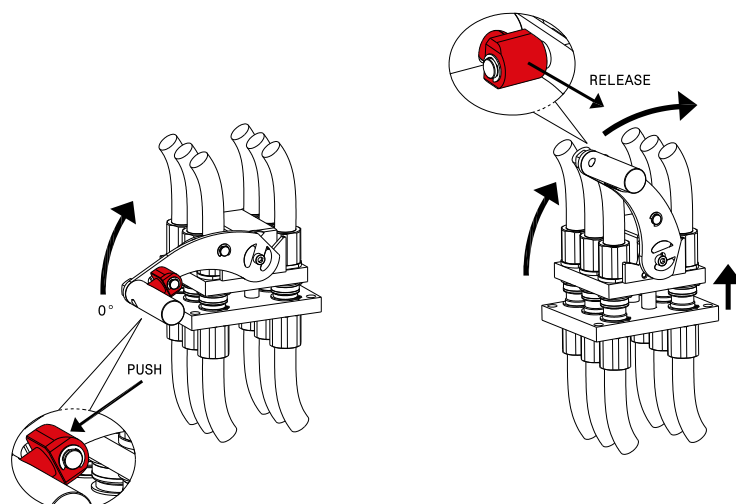


After a short rotation release the red button;
Continue to rotate till the safety lock automatically engages itself in the final position.
Now the multicoupling is coupled and ready to work.

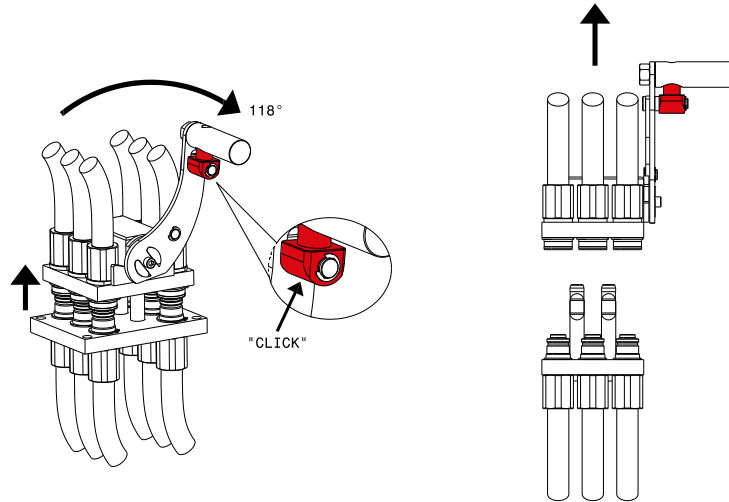


To disconnect

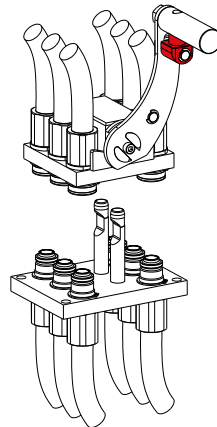
Release the pressure in the system. To disconnect reverse process: engage the locking mechanism (by pushing red button) and raise handle in upward direction. After short rotation release the red button.



Continue to rotate till the safety lock automatically engage itself in the 12 o'clock position. Pull out mobile half from fixed half pins. (Pay attention during the pulling phase not to make the mobile half fall down causing injury).



Now the multicoupling is uncoupled.

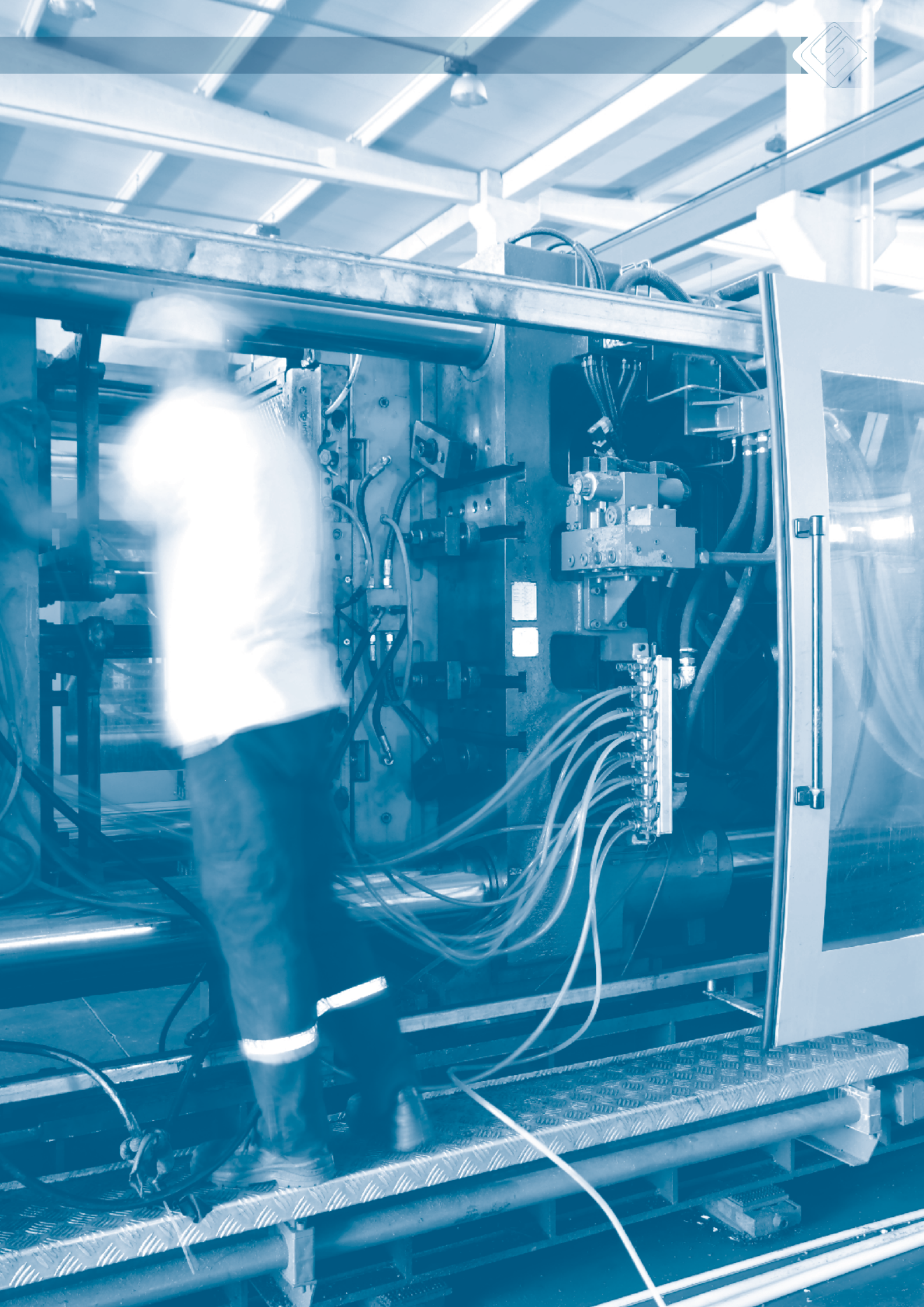


WARNING

A defect, a wrong choice or an improper use of products, can cause injury to persons, animals and objects.
 Never connect or disconnect with dynamic pressure (e.g. pump on).
 Do not use the female coupling disconnected with high impulse pressure.
 Do not couple-uncouple with flow and/or pressure in the circuit.
 Do not couple-uncouple when the temperature inside of the circuit is higher than 80 °C (176 °F).
 Check the maximum allowable operating pressure of the port in use.
 Make sure that the medium used is compatible with seal and material as indicated for each series.
 In case of doubt please contact Stucchi Technical Support.

It is MANDATORY to read and closely follow the instructions. Last updated version always apply at time of installation, see latest written Instructions on Stucchi website (stucchigroup.com) before selecting or using Stucchi products.

Do not force the lever without pushing the red safety button.
 Do not use extensions or other tools to ease the rotating of the lever.
 Do not connect the fixed half with the mobile half if dirt or other material (tool, finger) is between them.
 Do not modify, disassemble or damage the product, the lever or safety lock system.
 Do not use GRE multiconnection for high pressure and high temperature application.
 Please refer to CS coupling datasheet & single GRE multiconnection datasheet.



MULTICOUPLINGS



GRE p. 164

Valving style: Flat face
Interchange: Stucchi profile
Sealing description: Nitrile NBR
Available sizes: From 3/8" to 1/2"
Operating pressure: Up to 10 bar
Flow rate: Up to 90 l/min
Material: Aluminium

COUPLINGS



CS p. 177

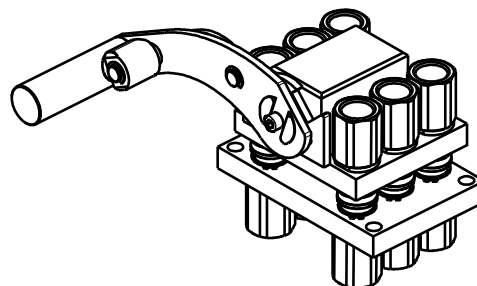
Valving style: Flat face
Interchange: Stucchi interface
Available sizes: From 3/8" to 1/2"
Operating pressure: Up to 10 bar
Flow rate: Up to 90 l/min
Connection system:
By multicoupling
Connection under pressure:
Not allowed

GRE6 6A

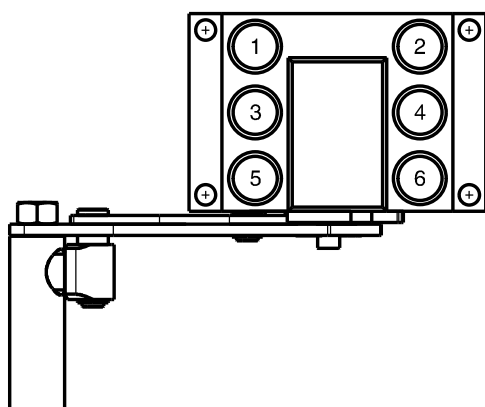
Previous description	CS9 (A)	CS12 (B)
Body size	3/8"	1/2"
GRE6-9	6	



DRAWING



CONFIGURATIONS



Possible configurations	
Pos	Coupling size
ALL	CS9

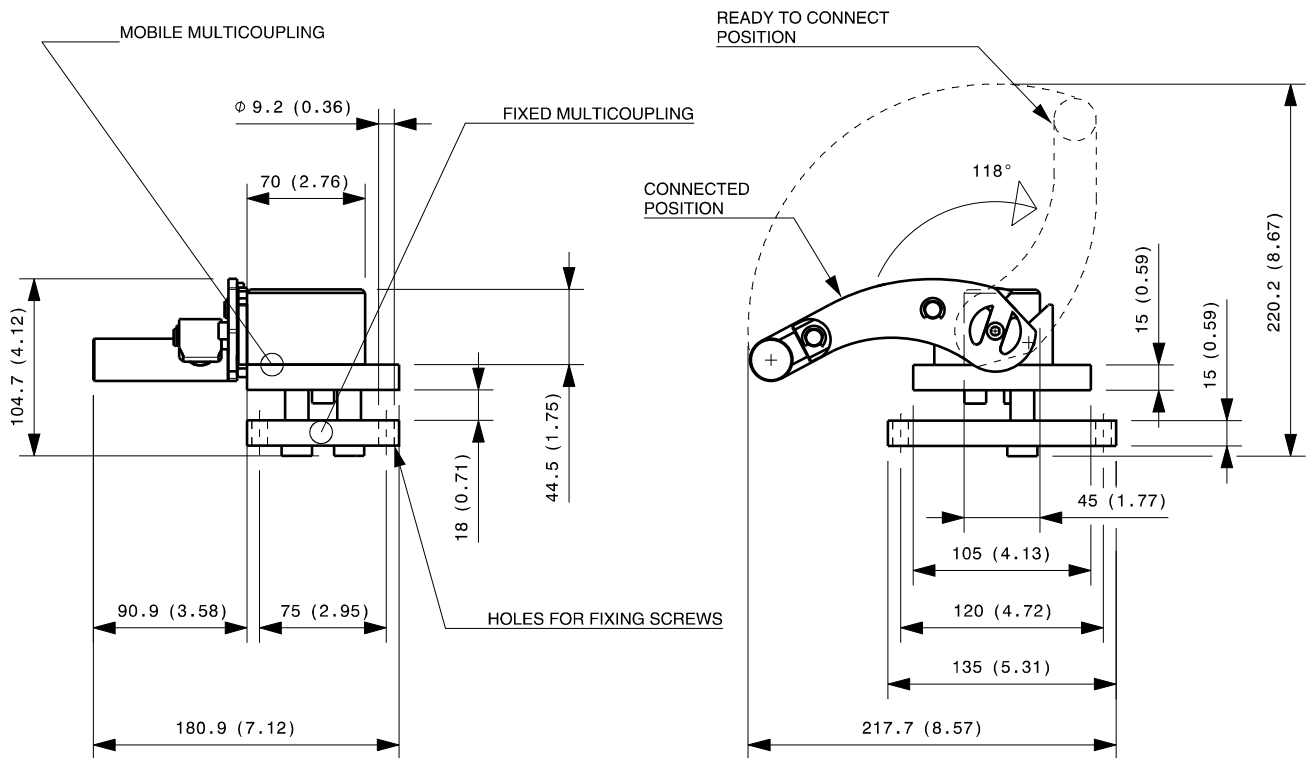
MultiCoupling (couplings included)		
Code	Name	Description
870020117	MULTI FIX GRE6 6A	6 CS9 3/8 BSP
870020217	MULTI MOBILE GRE6 6A	6 CS9 3/8 BSP

MultiCoupling spare parts (couplings not included)	
Code	Name
806000024	MULTI FIX EMPTY GRE6 6A
806000025	MULTI MOBILE EMPTY GRE6 6A
815606033	PARKING STATION MOBILE MULTICOUPLING GRE 100x45
815701059	SPARE KIT LEVER GROUP GRE 125x95

Custom configurations available upon request

Fixed and mobile multicoupling

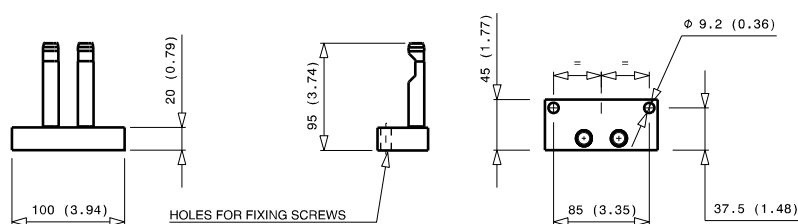
0,6 Kg and 1,5 Kg



Dimensions in millimeters (inch)

Parking station for mobile multicoupling

0,6 Kg

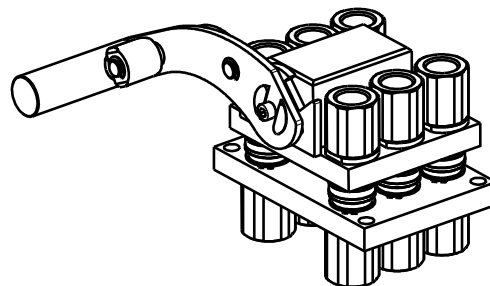


GRE6 6B

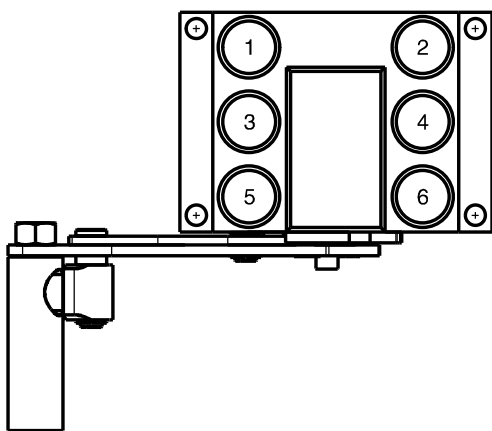
Previous description	CS9 (A)	CS12 (B)
Body size	3/8"	1/2"
GRE6-12		6



DRAWING



CONFIGURATIONS



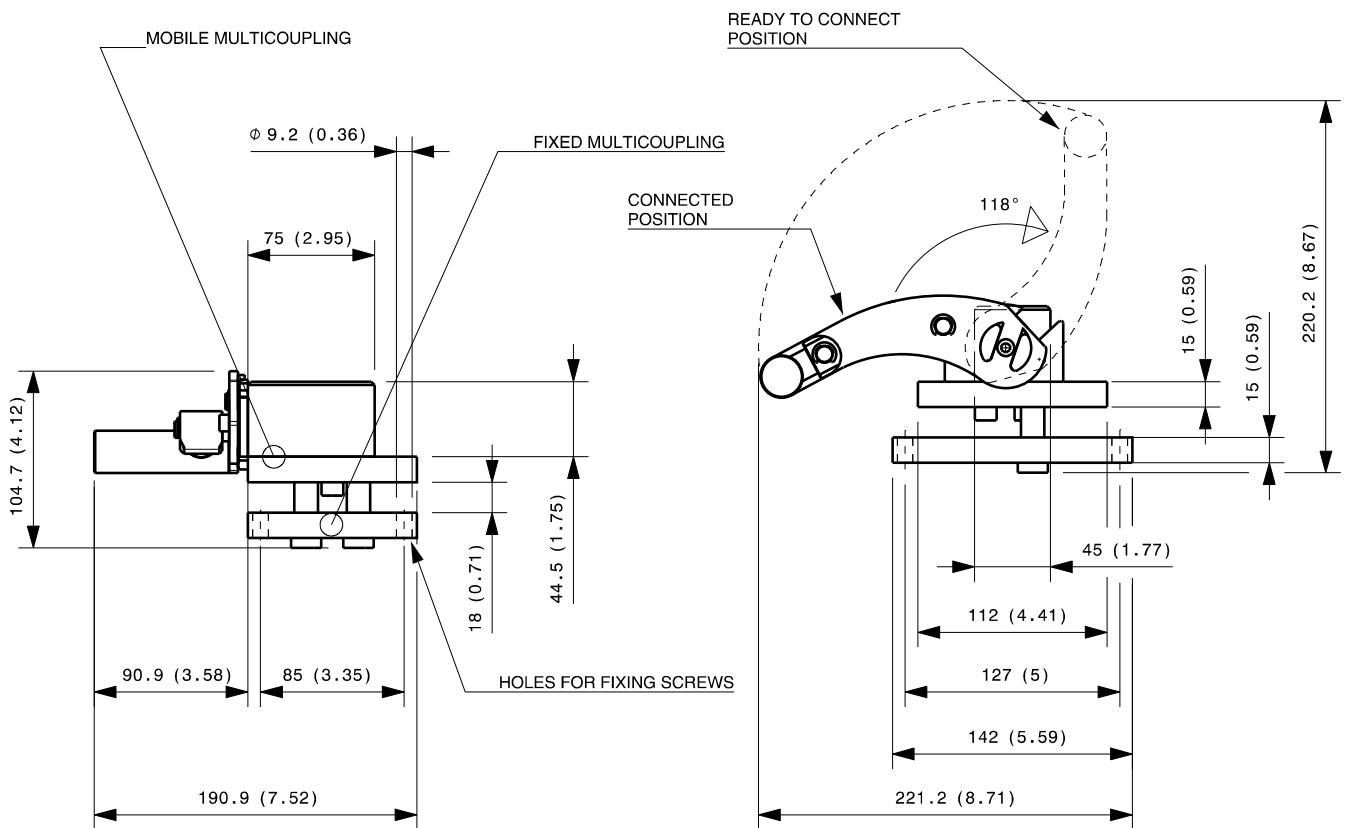
Possible configurations	
Pos	Coupling size
ALL	CS12

MultiCoupling (couplings included)		
Code	Name	Description
870020005	MULTI COMPLETE GRE6 6B	6 CS12 1/4 BSP
870020105	MULTI FIX GRE6 6B	6 CS12 1/4 BSP
870020111	MULTI FIX GRE6 4B	4 CS12 1/2 BSP
870020118	MULTI FIX GRE6 6B	6 CS12 1/2 BSP
870020205	MULTI MOBILE GRE6 6B	6 CS12 1/4 BSP
870020211	MULTI MOBILE GRE6 4B	4 CS12 1/2 BSP

MultiCoupling spare parts (couplings not included)		
Code	Name	Description
806000090	MULTI FIX EMPTY GRE6 6B	
806000091	MULTI MOBILE EMPTY GRE6 6B	
815606033	PARKING STATION MOBILE MULTICOUPLING GRE 100x45	
815701059	SPARE KIT LEVER GROUP GRE 125x95	

Fixed and mobile multicoupling

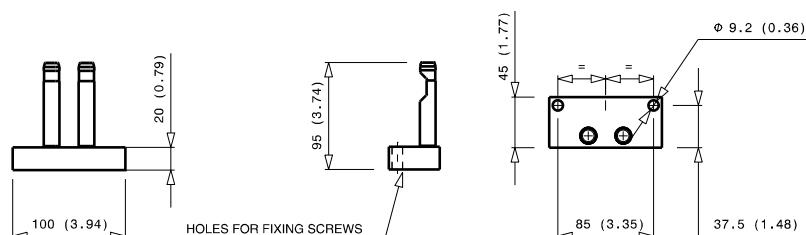
0,7 Kg and 1,6 Kg



Dimensions in millimeters (inch)

Parking station for mobile multicoupling

0,6 Kg

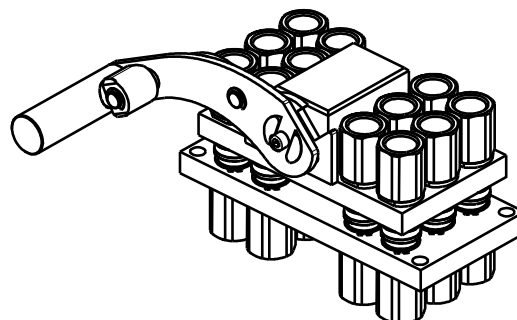
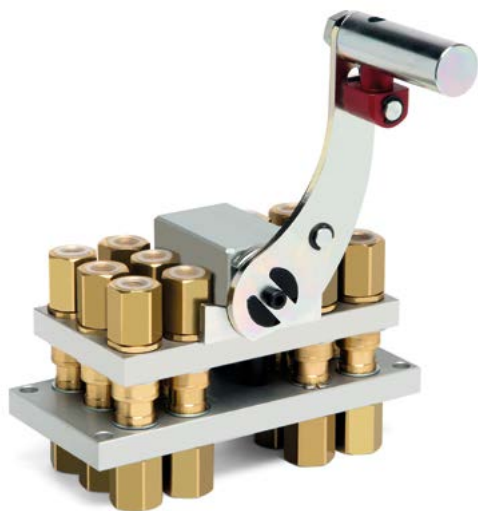


GRE12 12A

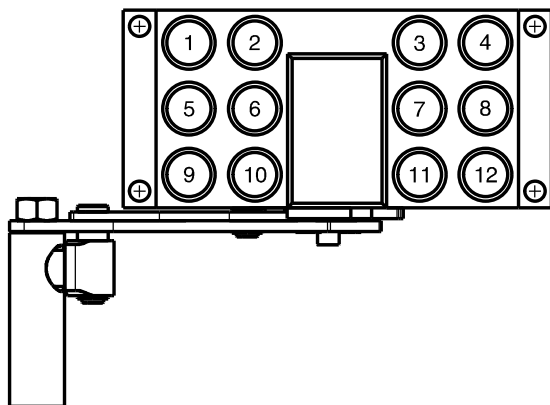
Previous description	CS9 (A)	CS12 (B)
Body size	3/8"	1/2"
GRE12-9	12	



DRAWING



CONFIGURATIONS



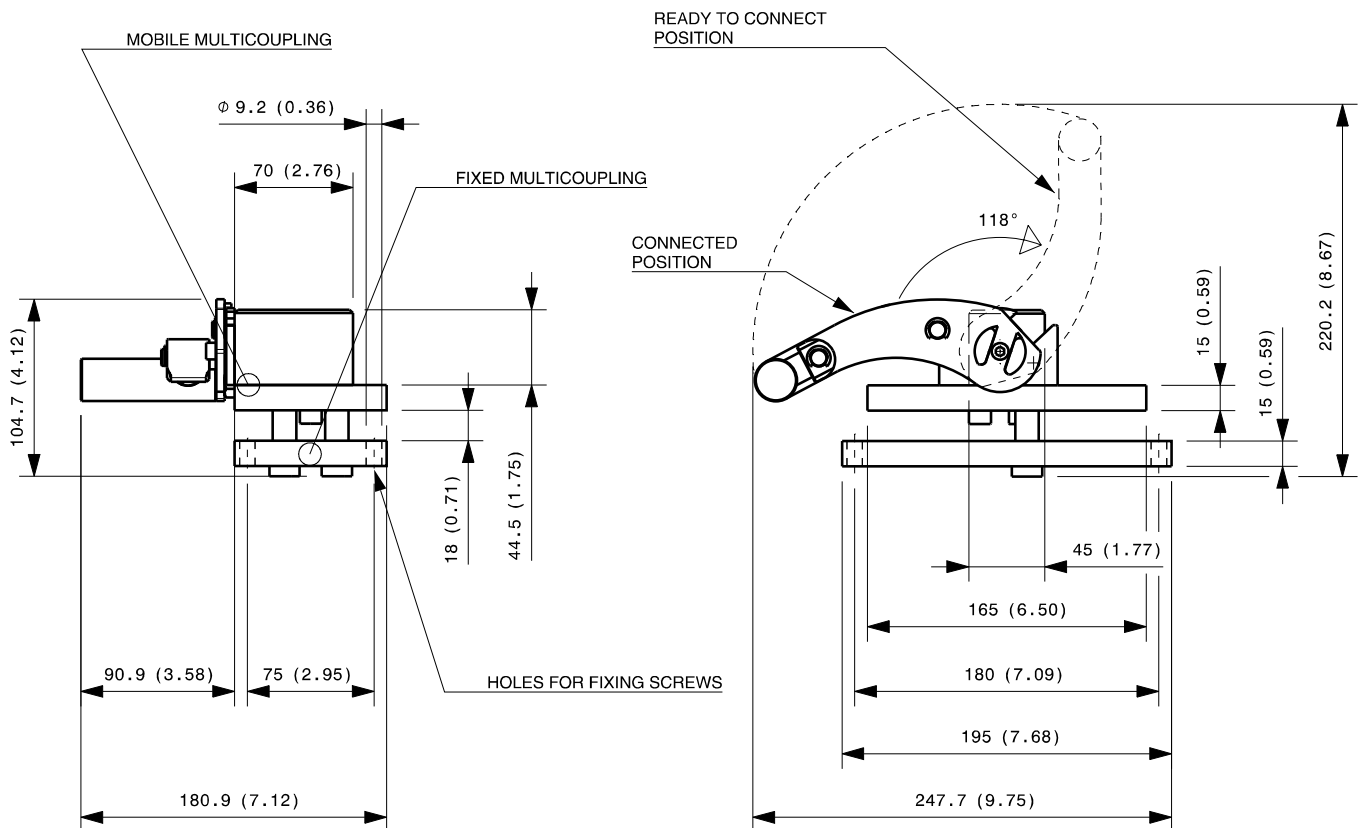
Possible configurations	
Pos	Coupling size
ALL	CS9

MultiCoupling (couplings included)		
Code	Name	Description
870020010	MULTI COMPLETE GRE12 12A	12 CS9 3/8 NPT
870020112	MULTI FIX GRE12 8A	8 CS9 1/2 BSP
870020208	MULTI MOBILE GRE12 12A	12 CS9 3/8 NPT
870020212	MULTI MOBILE GRE12 8A	8 CS9 1/2 BSP

MultiCoupling spare parts (couplings not included)		
Code	Name	
806000020	MULTI FIX EMPTY GRE12 12A	
806000021	MULTI MOBILE EMPTY GRE12 12A	
815606033	PARKING STATION MOBILE MULTICOUPLING GRE 100x45	
815701059	SPARE KIT LEVER GROUP GRE 125x95	

Fixed and mobile multicoupling

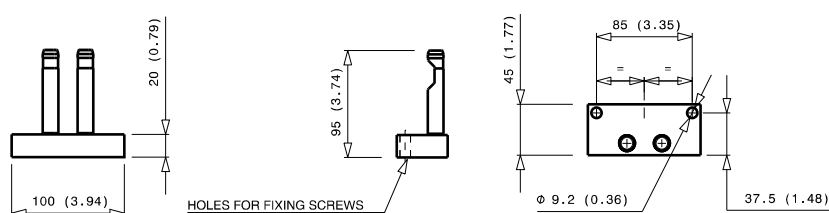
0,7 Kg and 1,6 Kg



Dimensions in millimeters (inch)

Parking station for mobile multicoupling

0,6 Kg



GRE12 12B

Previous description

Body size

CS9 (A)
3/8"

CS12 (B)
1/2"

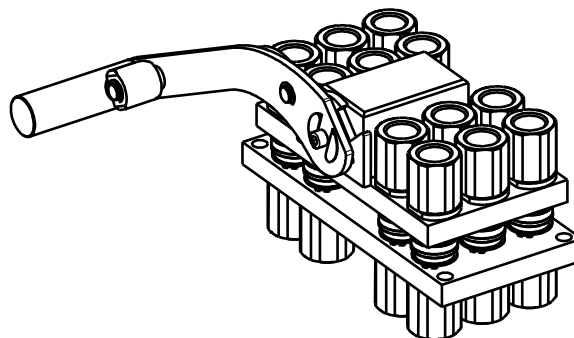
GRE12-12

12

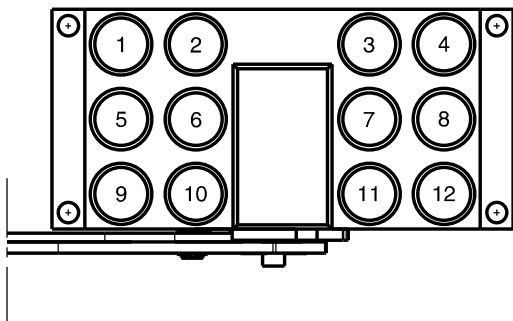


Stucchi®

DRAWING



CONFIGURATIONS



Possible configurations

Pos	Coupling size
ALL	CS12

MultiCoupling (couplings included)

Code	Name	Description
870020109	MULTI FIX GRE12 12B	12 CS12 1/2 BSP
870020209	MULTI MOBILE GRE12 12B	12 CS12 1/2 BSP

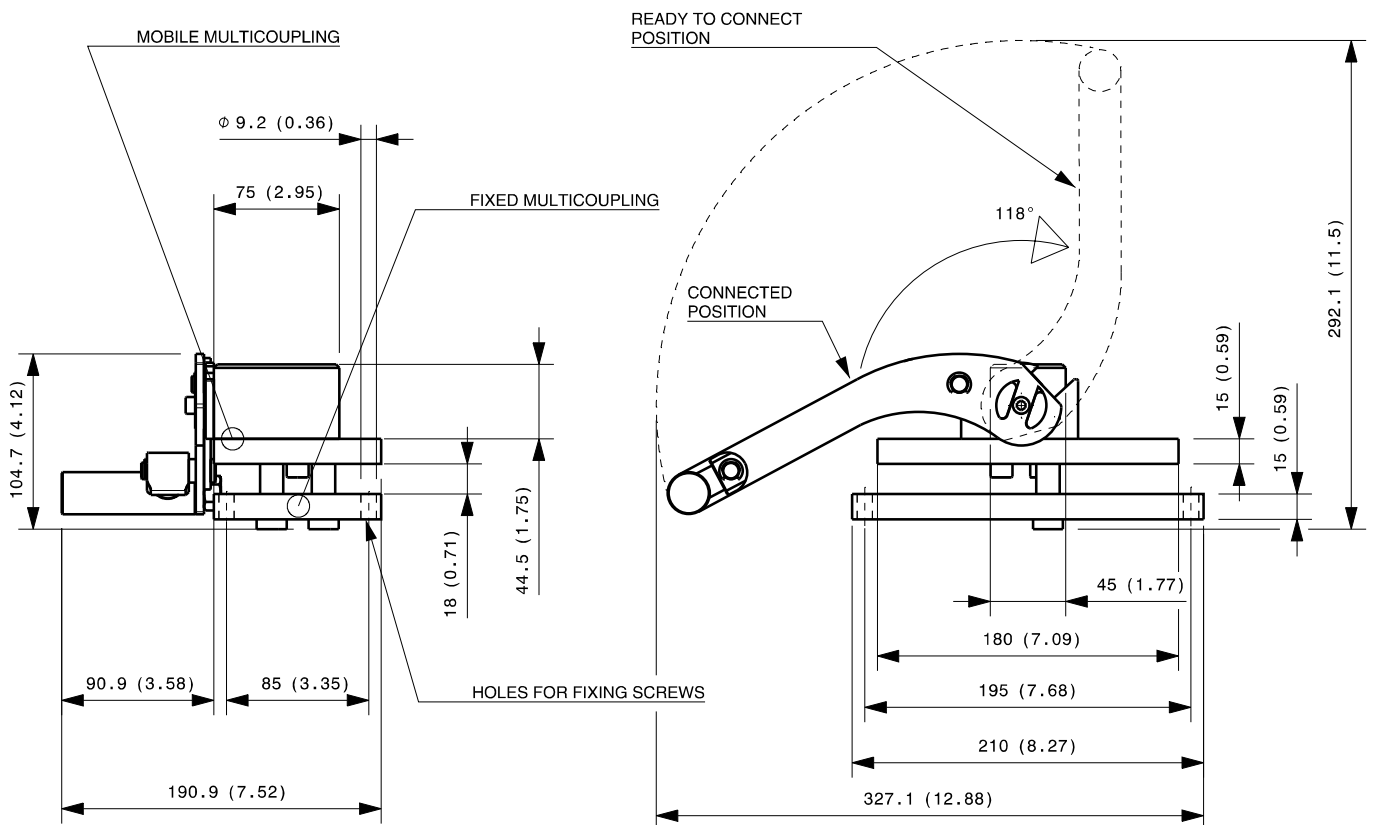
MultiCoupling spare parts (couplings not included)

Code	Name
806000026	MULTI FIX EMPTY GRE12 12B
806000027	MULTI MOBILE EMPTY GRE12 12B
815606033	PARKING STATION MOBILE MULTICOUPLING GRE 100x45
815701078	SPARE KIT LEVER GROUP GRE 200x95

Custom configurations available upon request

Fixed and mobile multicoupling

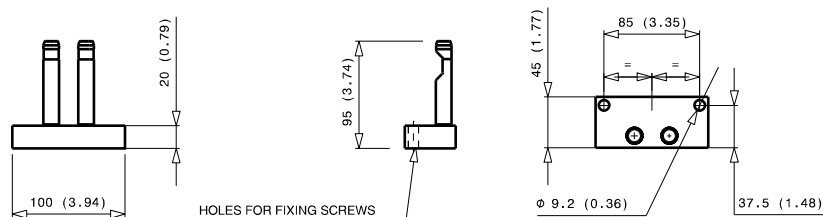
0,8 Kg and 1,8 Kg



Dimensions in millimeters (inch)

Parking station for mobile multicoupling

0,6 Kg



GRE18 18A

Previous description

Body size

CS9 (A)
3/8"

CS12 (B)
1/2"

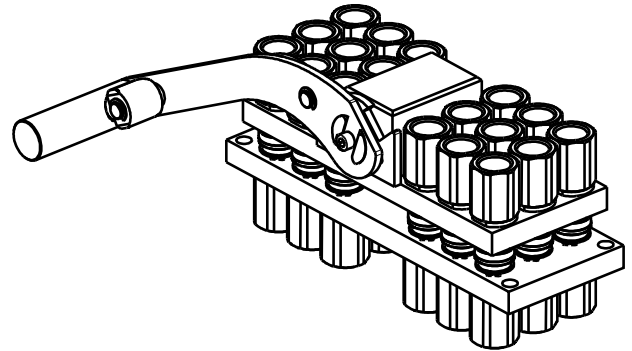


Stucchi®

GRE18-9

18

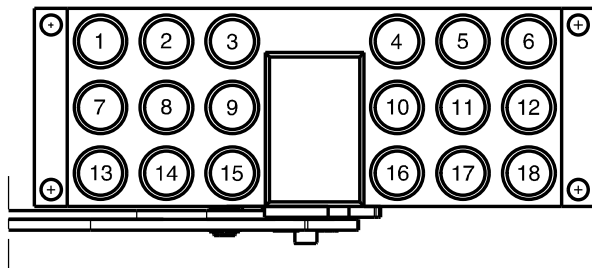
DRAWING



CONFIGURATIONS

Possible configurations

Pos	Coupling size
ALL	CS9



MultiCoupling (couplings included)

Code	Name	Description
870020120	MULTI FIX GRE18 18A	18 CS9 3/8 NPT
870020220	MULTI MOBILE GRE18 18A	18 CS9 3/8 NPT

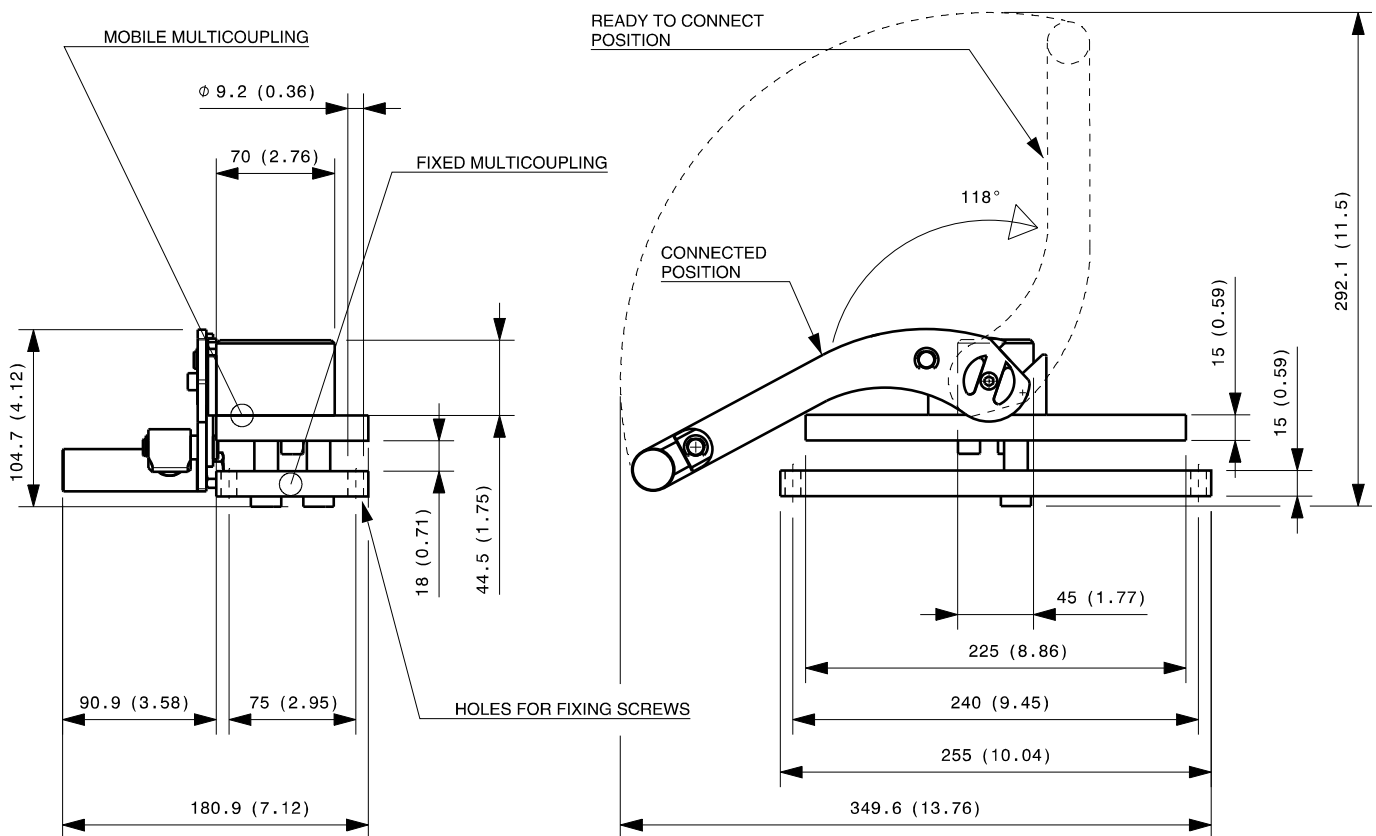
MultiCoupling spare parts (couplings not included)

Code	Name
806000022	MULTI FIX EMPTY GRE18 18A
806000023	MULTI MOBILE EMPTY GRE18 18A
815606033	PARKING STATION MOBILE MULTICOUPLING GRE 100x45
815701078	SPARE KIT LEVER GROUP GRE 200x95

Custom configurations available upon request

Fixed and mobile multicoupling

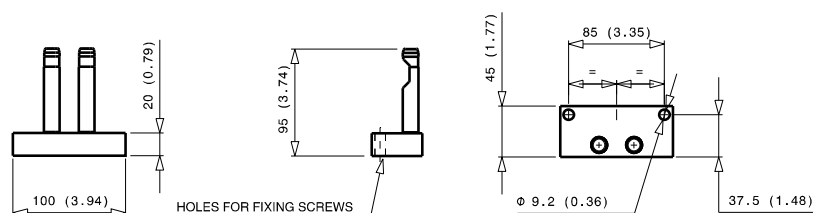
0,9 Kg and 1,8 Kg



Dimensions in millimeters (inch)

Parking station for mobile multicoupling

0,6 Kg



GRE18 18B

Previous description

Body size

GRE18-12

CS9 (A)

3/8"

CS12 (B)

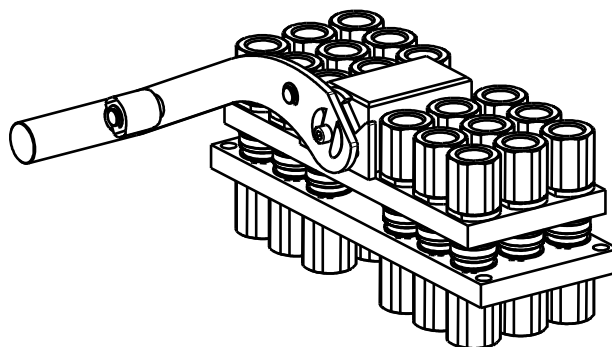
1/2"

18



Stucchi®

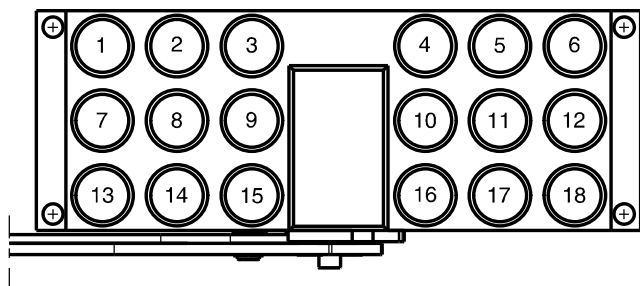
DRAWING



CONFIGURATIONS

Possible configurations

Pos	Coupling size
ALL	CS12



MultiCoupling (couplings included)

Code	Name	Description
870020121	MULTI FIX GRE18 18B	18 CS12 1/2 BSP
870020221	MULTI MOBILE GRE18 18B	18 CS12 1/2 BSP

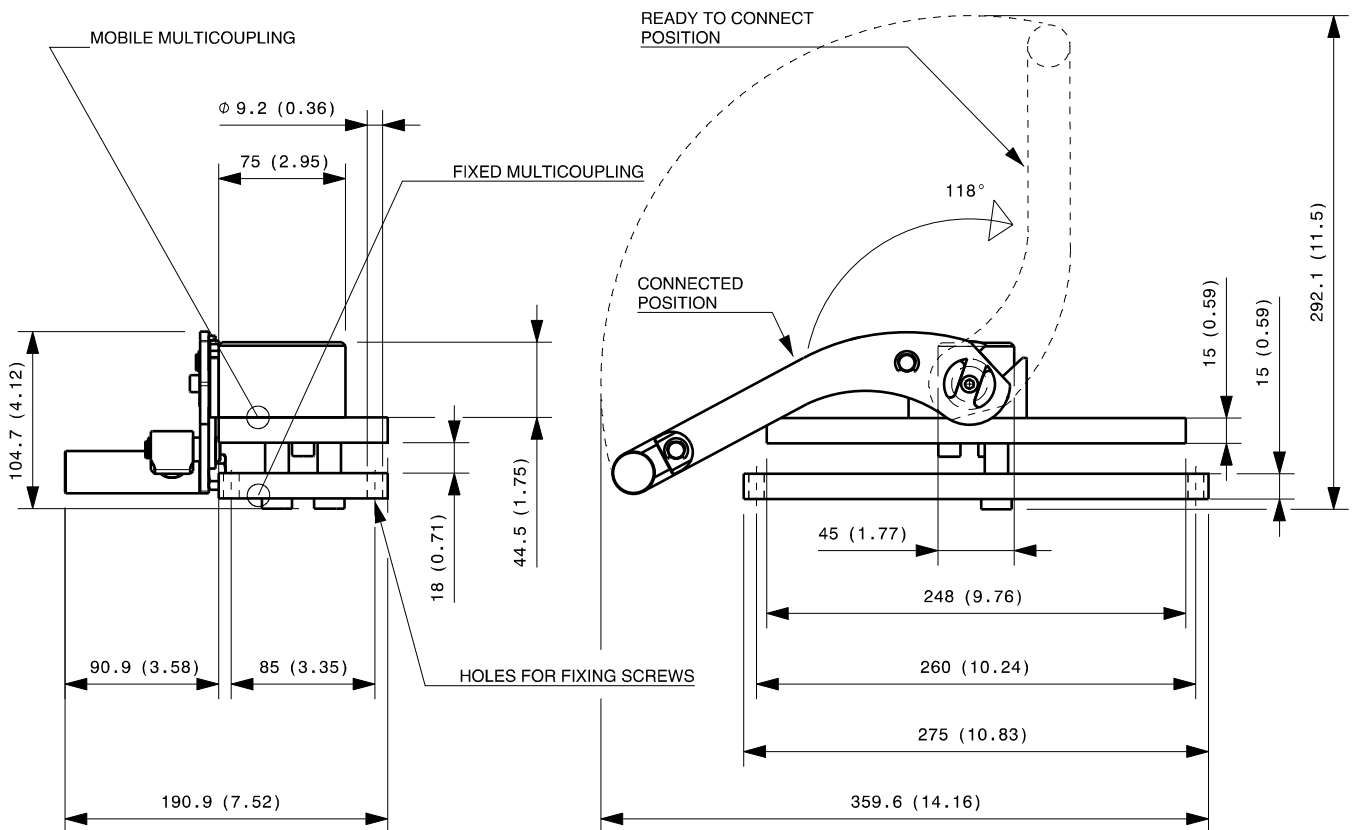
MultiCoupling spare parts (couplings not included)

Code	Name
806000028	MULTI FIX EMPTY GRE18 18B
806000029	MULTI MOBILE EMPTY GRE18 18B
815606033	PARKING STATION MOBILE MULTICOUPLING GRE 100x45
815701078	SPARE KIT LEVER GROUP GRE 200x95

Custom configurations available upon request

Fixed and mobile multicoupling

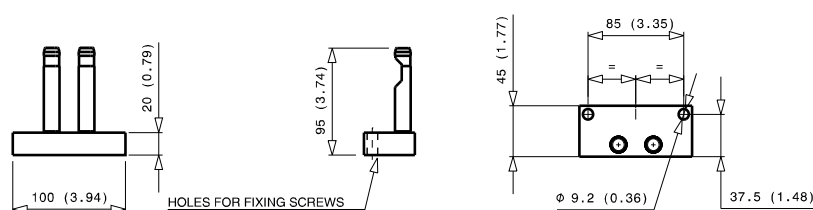
1 Kg and 2 Kg

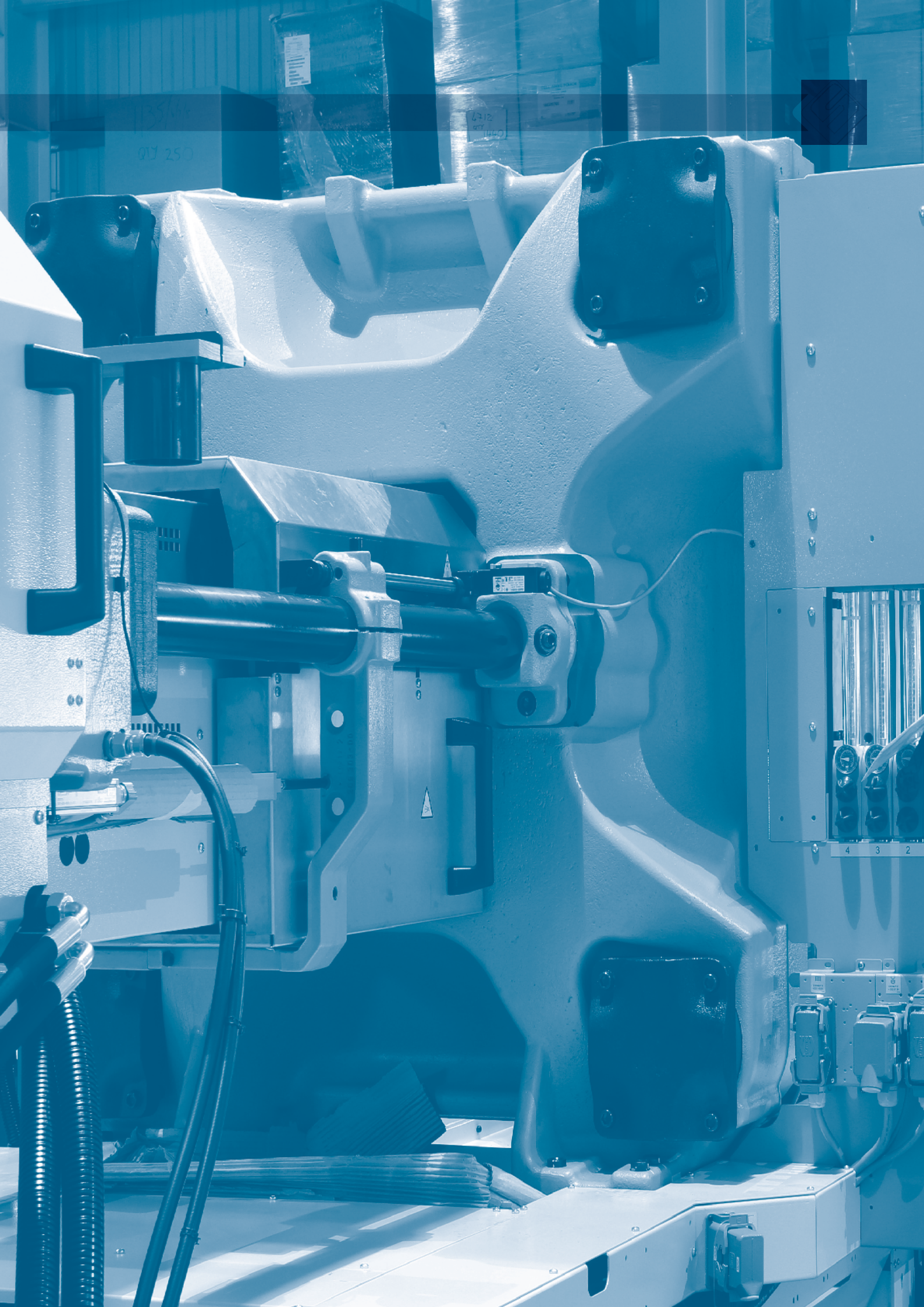


Dimensions in millimeters (inch)

Parking station for mobile multicoupling

0,6 Kg





CSSERIES

INTERCHANGE > Stucchi profile (only for Stucchi multicouplings)



TECHNICAL FEATURES AND OPTIONS

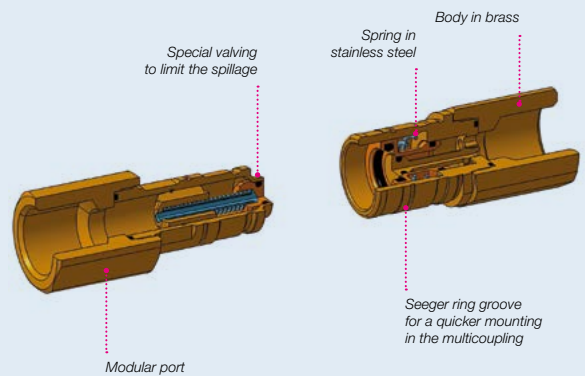
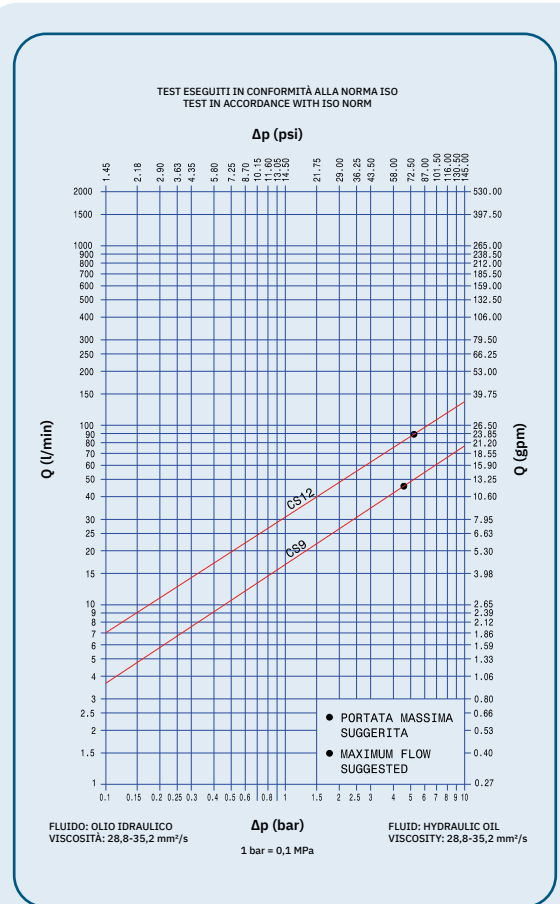
Interchange Stucchi profile (only for Stucchi multicouplings)	Sealing description Nitrile NBR	Connection system By multicoupling
Available sizes from 3/8" to 1/2"	Material Brass	Available threads BSP - NPT
Operating pressure Up to 10 bar	Locking mechanism PIN/CAM	Flow rate Up to 90 l/min
Temperature (°C) oil -20°/+100° water +5°/+60°	Valving style Flat face	Connection under pressure Connection: not allowed Disconnection: not allowed.

BENEFITS

- The solution to conduct low pressure hydraulic oil, pneumatic or water lines.
- Valving design helps to reduce the inclusion of contamination to the circuit.
- Minimal fluid loss during connection / disconnection, reducing fluid loss to the environment.
- Minimal air inclusion during connection / disconnection, enhancing correct function of the circuit.
- Linear flow reduces internal turbulence and pressure drop, maintaining circuit efficiency in the entire system.
- Good corrosion resistance thanks to brass components construction
- The modular design allows flexibility with the range of port configurations (hose barb available on request).
- Allows to conduct in the same multiconnection different fluids: hydraulic oil, water, air.
- Couplings are assembled with a seeger ring for a quicker mounting or service on the multiconnection.
- Compact slim design.
- Safe and simple to use.

HOW TO USE

- See instructions at page 156



MAIN APPLICATIONS



PERFORMANCE

Size		Series/Size	Max. flow suggested		Spillage*
Inch	mm (ISO)		l/min	GPM	ml
3/8	-	CS9	46	12.2	0.03
1/2	-	CS12	90	23.8	0.04

Size	Series/Size	Max. operating pressure						Burst pressure					
		Coupled		Male		Female		Coupled		Male		Female	
Inch		MPa	psi	MPa	psi	MPa	psi	MPa	psi	MPa	psi	MPa	psi
3/8	CS9	1	145	1	145	1	145	4	580	4	580	4	580
1/2	CS12	1	145	1	145	1	145	4	580	4	580	4	580

* Spillage is an indicative value of the fluid loss per couple-uncouple cycle.

Different possible configurations:

Other ports available upon request.

Different threads available upon request.

PL version, free flow (without valve) on both sides.

Temperature range:

Seals in NBR (Nitrile):

- for oil, from -20° C to +100° C (from -4° F to +212° F)

- for water, from +5° C + 60° C (from +41° F to +140° F)

Upon request seals in VITON®: from -15°C to +180°C (from +5 °F to +356 °F).

Tests:

The couplings have been tested in according with ISO norm.

WARNING

A defect, a wrong choice or an improper use of products, can cause injury to persons, animals and objects.

Never connect or disconnect with dynamic pressure (e.g. pump on).

Do not use the female coupling disconnected with high impulse pressure.

Do not couple-uncouple with flow and/or pressure in the circuit.

Do not couple-uncouple when the temperature inside of the circuit is higher than 80 °C (176 °F).

Check the maximum allowable operating pressure of the port in use.

Make sure that the medium used is compatible with seal and material as indicated for each series.

In case of doubt please contact Stucchi Technical Support.

It is MANDATORY to read and closely follow the instructions. Last updated version always apply at time of installation, see latest written Instructions on Stucchi website (stucchigroup.com) before selecting or using Stucchi products.

Please read carefully General instructions for selection and use of the products in our master catalogues.

Do not couple-uncouple with flow and/or dynamic pressure in the circuit.

CS series is intended to be used only on Stucchi Multiconnections. Do not use the CS coupling on a Custom-made multiconnection or other device different than a Stucchi Multiconnection.

Do not disassemble, misuse, modify or damage the products.

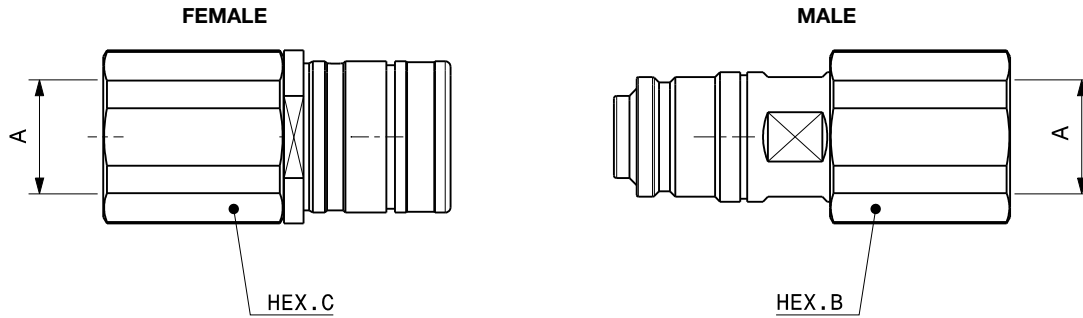
CS series has been tested & approved with hydraulic oil. CS serie is intended to be used only with not dangerous fluids (water, hydraulic oil, air at low temperature/low pressure).

Do not use CS couplings with dangerous, inflammable or explosive fluids (steam, acids, very hot/flammmable oils etc.).

Do not use CS couplings with very hot fluids (limits given by NBR seal compatibility & temperature range).

Do not use CS couplings with fluids below the freezing point to avoid damages due to ice expansion and consequential extrusion of the valving

SPECIFICATIONS



Port description: FEMALE THREAD BSPP (ISO 1179-1)

Body size	Descriptive Code	Item Code	Port (A)	Hex		Weight		
				mm	inch	Kg	Lbs	
3/8"	F CSF9BN 3/8 BSP	Female 802100002	3/8"	C	27,0	1,06	0,19	0,41
	M CSM9BN 3/8 BSP	Male 802100003		B	27,0	1,06	0,16	0,36
3/8"	F CSF9BN 1/2 BSP	Female 802100006	1/2"	C	27,0	1,06	0,18	0,39
	M CSM9BN 1/2 BSP	Male 802100007		B	27,0	1,06	0,16	0,34
1/2"	F CSF12BN 1/4 BSP	Female 802100000	1/4"	C	30,0	1,18	0,23	0,51
	M CSM12BN 1/4 BSP	Male 802100001		B	30,0	1,18	0,20	0,45
1/2"	F CSF12BN 1/2 BSP	Female 802100008	1/2"	C	30,0	1,18	0,24	0,52
	M CSM12BN 1/2 BSP	Male 802100009		B	30,0	1,18	0,22	0,48

Port description: FEMALE THREAD NPT (ANSI B1.20.1)

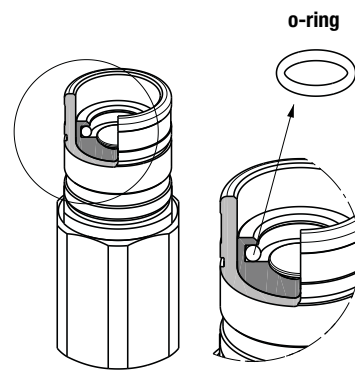
Body size	Descriptive Code	Item Code	Port (A)	Hex		Weight		
				mm	inch	Kg	Lbs	
3/8"	F CSF9BN 3/8 NPT	Female 802101000	3/8"	C	24,0	0,94	0,15	0,32
	M CSM9BN 3/8 NPT	Male 802101003		B	24,0	0,94	0,13	0,28
1/2"	F CSF12BN 1/2 NPT	Female 802101004	1/2"	C	30,0	1,18	0,24	0,52
	M CSM12BN 1/2 NPT	Male 802101005		B	30,0	1,18	0,21	0,45



SPARE KIT SEAL FOR FEMALE

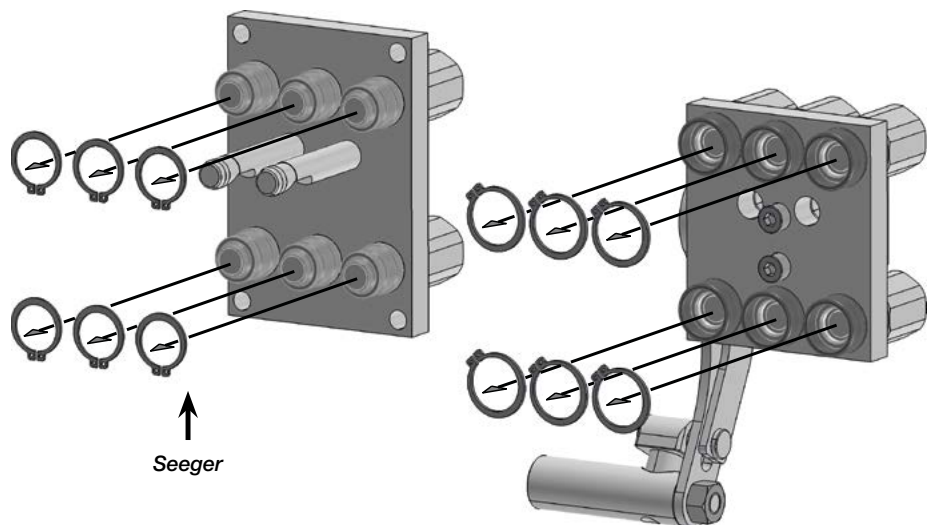
Repair kit		
Body Size	Description	Part Number
3/8"	SET OF 10 EXTERNAL OR CSF9	815701060
1/2"	SET OF 10 EXTERNAL OR CSF12	815701062

O-Ring in Nitrile
(kit composed of 10 O-Ring for female coupling; 1 female = 1 O-Ring)



REPAIR SEEGER

Repair kit seeger	
Part Number	Description
815701103	SET OF 10 SEEGER CSF9-CSM12
815701104	SET OF 10 SEEGER CSM9
815701105	SET OF 10 SEEGER CSF12



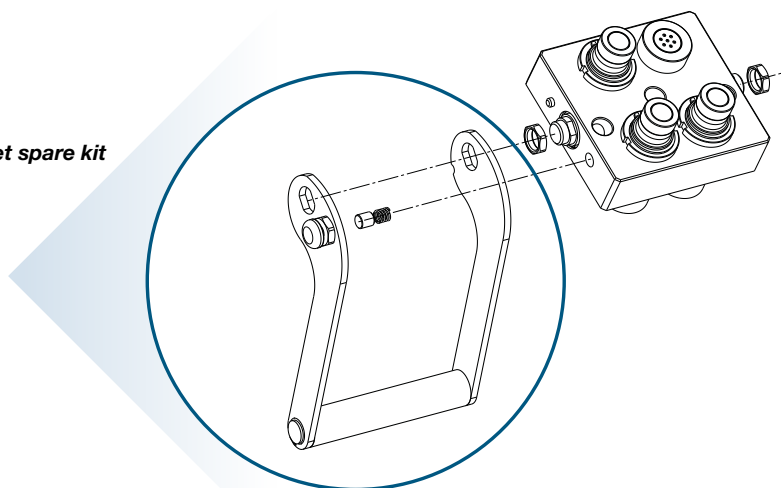


DP Series

Complete lever set spare kit

Composed of:

Lever
spring
Pin
Knob
Seeger ring
Red button
Locking pin



How to replace it

Unscrew & disassemble the lever group from the fixed multiconnection, then disassemble the seeger ring to extract the knob. Reassemble the new kit with the same sequence vice-versa. Threads of the lever set have to be reassembled with Loctite (2701 Type) and screw the tread with proper torque.

Energized spring could come out from the button, be careful.

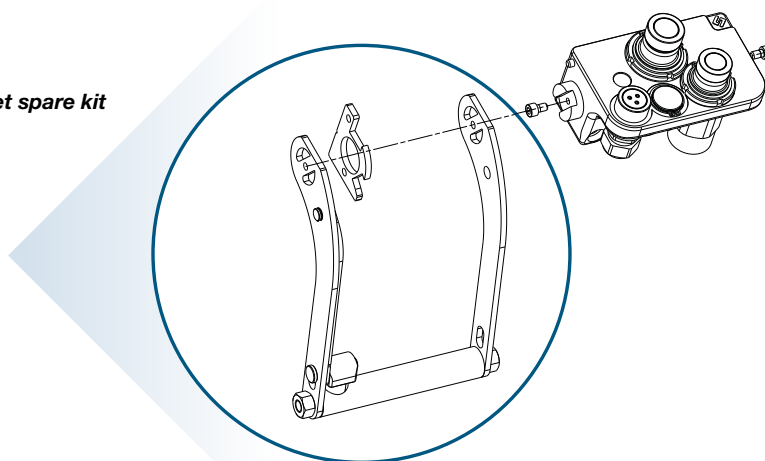
Pay attention to the button internal pin - it is pushed by a spring! Be careful.

GR Series

Complete lever set spare kit

Composed of:

Little multicoupling
Lever
Wedge
Pin
Seeger ring
Knob
Nut
Red button
Internal spring
Locking pin



How to replace it

Unscrew the lever group from the fixed multiconnection, then take away the little multicoupling. Reassemble the new kit with the same sequence vice-versa. Threads of the lever set have to be reassembled with Loctite (2701 Type) and screw the thread with proper torque.

Energized spring could come out from the button, be careful.

Pay attention to the button internal pin - it is pushed by a spring! Be careful.

GRE Series

Complete lever set spare kit

Composed of:

Lever

spring

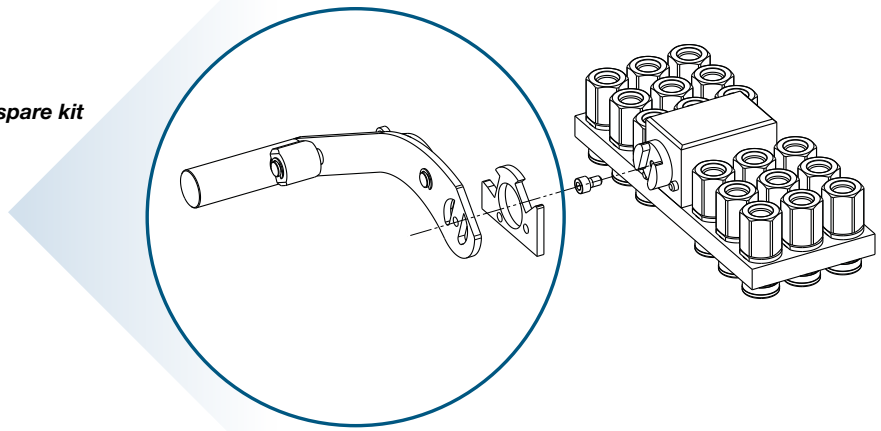
Pin

Knob

Seeger ring

Red button

Locking pin



How to replace it

Unscrew the lever group from the mobile multiconnection, then take away the little multicoupling. Reassemble the new kit with the same sequence vice-versa. Threads of the lever set have to be reassembled with Loctite (2701 Type) and screw the thread with proper torque.

Energized spring could come out from the button, be careful.

Pay attention to the button internal pin - it is pushed by a spring! Be careful.



WARNING

Energized spring could come out from the button, be careful!

Here above instruction has to be considered as general indication how to replace spare kit on multicoupling, not a complete instruction of use. Please ask the specific instruction by contacting Stucchi Customer Service for support at info@stucchi.it

Notice: all the nut&threads of the lever set have to be reassembled with Loctite (2701 Type) before screwing. All the threads have to be screwed with proper torque value. The code of the lever spare kit is on the multicoupling datasheet

Other products



FLAT FACE



FIRG

Valving style: Flat face
Interchange: ISO 16028
Sealing description: Nitrile NBR
Available sizes: From 1/4" to 2"
Operating pressure: Up to 330 bar
Flow rate: Up to 1000 l/min
Material / Treatment:
Carbon steel / Cr3



A

Valving style: Flat face
Interchange: ISO 16028
Sealing description: Nitrile NBR
Available sizes: From 1/8" to 1-1/2"
Operating pressure: Up to 420 bar
Flow rate: Up to 750 l/min
Material / Treatment:
Carbon steel / Cr3



APM

Valving style: Flat face
Interchange: ISO 16028
Sealing description: Nitrile NBR
Available sizes: From 3/8" to 1-1/2"
Operating pressure: Up to 350 bar
Flow rate: Up to 750 l/min
Material / Treatment:
Carbon steel / Cr3
Connection under pressure: One side only



A-HD

Valving style: Flat face
Interchange: ISO 16028
Sealing description: Nitrile NBR
Available sizes: From 3/8" to 1/2"
Operating pressure: Up to 350 bar
Flow rate: Up to 90 l/min
Material / Treatment:
Carbon steel / Cr3
Connection under pressure: One side only



AX

Valving style: Flat face
Interchange: ISO 16028
Sealing description: FKM (Viton®)
Available sizes: From 1/4" to 1"
Operating pressure: Up to 350 bar
Flow rate: Up to 378 l/min
Material / Treatment:
Stainless steel (AISI 316L)



FIRG-Q

Valving style: Flat face
Interchange: ISO 16028
Sealing description:
Nitrile NBR-FKM(Viton®)-EPDM-Kalrez®
Available sizes: From 1/4" to 2"
Operating pressure: Up to 300 bar
Flow rate: Up to 1000 l/min
Material / Treatment:
Carbon steel+Stainless steel
(AISI 316L) / QPQ



FL

Valving style: Flat face
Interchange: ISO 16028
Sealing description: FKM (Viton®)
Available sizes: From 1/8" to 2"
Operating pressure: Up to 350 bar
Flow rate: Up to 1000 l/min
Material / Treatment:
Stainless steel (AISI 316L)

FLAT FACE SCREW



VEP-P

Valving style: Flat face
Interchange: Stucchi profile
Sealing description: Nitrile NBR
Available sizes: From 1/4" to 2"
Operating pressure: Up to 600 bar
Flow rate: Up to 1000 l/min
Material / Treatment:
Carbon steel / Cr3+QPQ
Connection under pressure: Allowed



VEP-HD

Valving style: Flat face
Interchange: Stucchi profile
Sealing description: Nitrile NBR
Available sizes: From 5/8" to 1-1/2"
Operating pressure: Up to 550 bar
Flow rate: Up to 750 l/min
Material / Treatment:
Carbon steel / QPQ
Connection under pressure: Allowed



VP-P

Valving style: Flat face
Interchange: Stucchi profile
Sealing description: Nitrile NBR
Available sizes: From 1/4" to 1-1/2"
Operating pressure: Up to 600 bar
Flow rate: Up to 750 l/min
Material / Treatment:
Carbon steel / Cr3+QPQ
Connection under pressure: Allowed

CASTING



SATURN

Valving style: Flat face
Interchange: ISO 16028
Sealing description: Nitrile NBR
Available sizes: From 1/2" to 3/4"
Operating pressure: Up to 350 bar
Flow rate: Up to 200 l/min
Material / Treatment:
Carbon steel / Cr3
Connection under pressure:
One side only



SATURN HF

Valving style: Flat face
Interchange: ISO 16028
Sealing description: Nitrile NBR
Available sizes: From 1/2" to 3/4"
Operating pressure: Up to 350 bar
Flow rate: Up to 200 l/min
Material / Treatment:
Carbon steel / Cr3
Connection under pressure:
One side only

POPPET SCREW

VD

Valving style: Poppet
 Interchange: ISO 14541
 Sealing description: Nitrile NBR
 Available sizes: From 1/4" to 1-1/4"
 Operating pressure: Up to 450 bar
 Flow rate: Up to 378 l/min
 Material / Treatment:
 Carbon steel / Cr3
 Connection under pressure:
 One side only


VLS

Valving style: Poppet
 Interchange: With similar couplings
 Sealing description: Nitrile NBR
 Available sizes: From 1/2" to 1"
 Operating pressure: Up to 465 bar
 Flow rate: Up to 200 l/min
 Material / Treatment:
 Carbon steel / Cr3
 Connection under pressure:
 One side only

BOP

VOF

Valving style: Poppet
 Interchange: With similar couplings
 Sealing description: Nitrile NBR
 Available sizes: From 3/4" to 2"
 Operating pressure: Up to 345 bar
 Flow rate: Up to 1100 l/min
 Material / Treatment:
 Carbon steel / Cr3
 Connection under pressure:
 One side only

BOP

VOFX

Valving style: Poppet
 Interchange: With similar couplings
 Sealing description: Nitrile NBR
 Available sizes: From 3/4" to 2"
 Operating pressure: Up to 207 bar
 Flow rate: Up to 1100 l/min
 Material / Treatment:
 Stainless steel (AISI 316L)
 Connection under pressure:
 One side only

POPPET

VR

Valving style: Flat face non-spill
 Interchange: With Rohrleitung couplings
 Sealing description: Nitrile NBR
 Available sizes: From 3/8" to 1-1/4"
 Operating pressure: Up to 420 bar
 Flow rate: Up to 576 l/min
 Material / Treatment:
 Carbon steel / Cr3
 Connection under pressure: One side only


BIR

Valving style: Poppet
 Interchange: ISO 7241 'A'
 Sealing description: Nitrile NBR
 Available sizes: From 1/4" to 2"
 Operating pressure: Up to 350 bar
 Flow rate: Up to 1000 l/min
 Material / Treatment:
 Carbon steel / Cr3
 Connection under pressure:
 Allowed (only PC version)


I/IP

Valving style: Poppet
 Interchange: ISO 7241 'A'
 Sealing description: Nitrile NBR
 Available sizes: From 1/4" to 1"
 Operating pressure: Up to 350 bar
 Flow rate: Up to 200 l/min
 Material / Treatment:
 Carbon steel / Cr3


IR

Valving style: Ball
 Interchange: With similar couplings
 Sealing description: Nitrile NBR
 Available sizes: From 1/4" to 1"
 Operating pressure: Up to 300 bar
 Flow rate: Up to 150 l/min
 Material / Treatment:
 Carbon steel / Cr3


IR-V

Valving style: Poppet
 Interchange:
 With similar couplings
 Sealing description: Nitrile NBR
 Available sizes: From 1/4" to 1"
 Operating pressure: Up to 300 bar
 Flow rate: Up to 200 l/min
 Material / Treatment:
 Carbon steel / Cr3


IRB

Valving style: Poppet
 Interchange: ISO 7241 'B'
 Sealing description: Nitrile NBR
 Available sizes: From 1/8" to 1"
 Operating pressure: Up to 350 bar
 Flow rate: Up to 200 l/min
 Material / Treatment:
 Carbon steel / Cr3


IRBO

Valving style: Poppet
 Interchange: ISO 7241 'B'
 Sealing description: FKM (Viton®)
 Available sizes: From 1/8" to 1"
 Operating pressure: Up to 200 bar
 Flow rate: Up to 200 l/min
 Material / Treatment:
 Brass


IRBX

Valving style: Poppet
 Interchange: ISO 7241 'B'
 Sealing description: FKM (Viton®)
 Available sizes: From 1/8" to 1"
 Operating pressure: Up to 250 bar
 Flow rate: Up to 200 l/min
 Material / Treatment:
 Stainless steel & brass

BOP

IRC

Valving style: Poppet
 Interchange: Nordic interface
 Sealing description: FKM (Viton®)
 Available sizes: From 1/4" to 1"
 Operating pressure: Up to 450 bar
 Flow rate: Up to 378 l/min
 Material / Treatment:
 Carbon steel / Cr3
 Connection under pressure:
 Allowed (only PC version)


IRCX

Valving style: Poppet
 Interchange: Nordic interface
 Sealing description: FKM (Viton®)
 Available sizes: From 1/4" to 1"
 Operating pressure: Up to 300 bar
 Flow rate: Up to 378 l/min
 Material / Treatment:
 Stainless steel (AISI 316L)


IFR

Valving style: Flat face non-spill
 Interchange: ISO 5676
 Sealing description: Nitrile NBR
 Available sizes: 3/8"
 Operating pressure: Up to 150 bar
 Flow rate: Up to 46 l/min
 Material / Treatment:
 Carbon steel / Cr3

HIGH PRESSURE

A-HP

Valving style: Flat Face
 Interchange: Stucchi profile
 Sealing description: Nitrile NBR
 Available sizes: From 1/8" to 3/8"
 Operating pressure: Up to 720 bar
 Flow rate: Up to 46 l/min
 Material / Treatment:
 Carbon steel / Cr3


IV-HP

Valving style: Ball
 Interchange: With similar couplings (high pressure)
 Sealing description: Nitrile NBR
 Available sizes: From 1/4" to 3/8"
 Operating pressure: Up to 700 bar
 Flow rate: Up to 23 l/min
 Material / Treatment:
 Carbon steel / Cr3

CHECK VALVE

VUZ

Available sizes: From 1/8" to 2"
 Operating pressure: Up to 400 bar
 Flow rate: Up to 1000 l/min
 Material / Treatment:
 Carbon steel / Cr3

VEHICLE A/C

ACR-ACB

Valving style: Poppet
 Interchange: SAE J639
 Sealing description: HNBR
 Available sizes: 1/4"
 Operating pressure: Up to 41 bar
 Material / Treatment: Brass



Easy Connection Under Pressure is the Stucchi solution for manual connection with residual pressure in the circuit. The male couplings have a triple valve system that allows the easy connection of couplings with internal residual pressure, in safe condition and without fluid loss.



Blow Out Prevention
 Specific dimensions are fire tested and Lloyd certified in accordance with API 16D and the EUB Directive #36. For complete technical information please contact Stucchi technical support.

The incorrect use of products can cause malfunctioning and safety risks.

Therefore, before using Stucchi products, we strongly recommend reading and following the “general instructions for selection and use of the products” and the “instructions of use” of the specified product intending to use.

WARNING

A defect, a wrong choice or an improper use of products, can cause injury to persons, animals and objects.

Connection under pressure and under residual pressure.

Never connect or disconnect with dynamic pressure (e.g. pump on).

Make sure that the medium used is compatible with seal and material as indicated for each series.

The interchangeability is mentioned under the assumption that the manufacturer of the considered products has not changed any dimension.

It is mandatory to carefully read and closely follow the instructions before selecting or using any Stucchi products.

Always refer to the version uploaded in the Instructions and warnings section of stucchigroup.com website for the latest release.

In case of doubt or for specific product-related instructions, please contact Stucchi technical service.

1.0 GENERAL INSTRUCTIONS

1.1 Context

These safety instructions form a supplement and shall be used as one document together with the technical documentation related to the specified product to be installed.

1.2 Safeguarding

It is recommended that all systems and equipment be protected so that safety of people, animals and objects will be guaranteed in case of defect of the product.

1.3 Distribution of the instruction

A copy of these instructions has to be supplied to every person responsible for the selection and/or usage of the products.

1.4 Responsibility of the user

Due to the most various range of operating use and conditions of the products, Stucchi does not guarantee that every product can be used for every application. These safety instructions don't analyse all technical parameters that have to be considered by selecting the products.

The end user, through their own analyses and tests, is responsible for the following:

- Final selection of the product
- Ascertainment that the requirements of the end user are satisfied and that the predicted use does not present a safety risk.
- Supply of all warnings regarding the safety of the equipment on which Stucchi products will be used.
- Correct disposal of the product at the end of its life, see paragraph 'disposal instructions'.

2.0 INSTRUCTIONS FOR SELECTION OF THE PRODUCT

2.1 Application fields

Check that the product is suitable for the specific application. In case of doubt, contact the Stucchi Technical Support.

2.2 Type of product

Select the type of product most suitable for the working environment.

Flat face couplings: suitable for working environments where it is necessary to reduce to minimum the fluid loss during disconnection and to avoid dirt inclusion during connection. Screw couplings: they are suitable for high operating pressure and frequent impulses; they are connectable with high residual pressure. Poppet valve couplings: widely used in the agricultural field.

2.3 Materials and treatments

Make sure that the materials and treatments of the product conform to the exposed working environment.

2.4 Dimensions

Choose the product with dimensions and flow suited to the circuit in order to avoid over stress damaging the product.

2.5 Flow inversion

For application with flow inversion during operation, use only products designed for that scope.

Flow inversion during operation generates turbulences inside the product that can cause damage on the components.

2.6 Thread

Choose the product with thread suitable for the application.

For high pressure conditions, over 50 MPa, products with taper thread NPT are recommended.

2.7 Type of medium

Verify that the seals of the product are compatible with the medium used in case of doubts please contact Stucchi Technical Support.

Make sure that other not compatible fluids do not come in contact with the seals in case of maintenance. Do not use the products with inflammable, explosive or dangerous fluids without approval of Stucchi.

2.8 Medium temperature

Verify that the working temperature is within the functional limits of the coupling and its seals. The couplings must not be connected and disconnected with a temperature higher than 80 degrees Celsius. In case of connection-disconnection with temperature higher than 30 Celsius degrees, the operator must be protected using gloves and/or other devices to prevent any leakage or splashing causing injury to himself, persons, animals and objects.

2.9 Environment temperature

With extreme temperature conditions, the mechanical resistance of the products changes. The use and handling of couplings in case of ice can be difficult due to ice inclusion in the blocking mechanisms.

Use protective gloves in applications with hot and cold operating temperature.

2.10 Pressure

Verify always if the maximum operating pressure of the product is the same or higher than the pressure peaks of the application.

Do not make confusion between the burst pressure and the maximum operating pressure, so do not use the value of the burst pressure for your selection.

Check that the number of impulse cycles which the product has been tested is compatible with the impulse number of the application.

2.11 Residual pressure

For connection and disconnection with residual pressure use only couplings that are developed for this scope.

The term 'internal residual pressure' means: the static pressure retained in the system, which has not been generated by a working pump or other accessories in movement.

The structure of the machine or plant in which these products are placed, must be suitable to limit accidental splashing and fluid losses caused by wrong usage or malfunctioning of the product, in order to avoid direct and indirect damage on persons, animals or objects. The temperature of the fluid must not exceed the limits mentioned in point 2.8

2.12 Connection frequency

It is important to know the connection frequency with which the coupling is used, while this has significant influence on the life of both springs and seals.

An under-estimated value can cause unexpected fluid loss.

2.13 Safety device

If used in environments or machines in strict closeness at persons, animals or objects (1 meter), within easy accidental disconnection conditions, it is highly recommended to use ball locked couplings with security system or screw couplings and to make sure that the preventive disconnection mechanism is correctly screwed together.

2.14 Mechanical loads

Side loads, mechanical stresses in general and vibrations reduce significantly the life of the product and are often the cause of sudden damages.

It is recommended to assemble quick release couplings without risks of mechanical damage and over-loading caused by stress generated in flexible or rigid hoses and to assemble quick release couplings on hoses with proper dimensions referred to the nominal passage of the quick release coupling.

2.15 Rotation

In case of applications with rotation use only products developed for this scope.

In case of rotation between male and female part it is necessary to inform in advance Stucchi Technical Support or to provide the connection with swivel joints suitable for this scope.

2.16 Special applications

You should be advised to take particular attention to special applications (such as vacuum use, high temperature, etc...).

Please consult Stucchi Technical Support who is able to give instructions concerning the use of Stucchi products.

Do not use Stucchi products in nuclear, aircraft or military field; do not use Stucchi products in explosive environment or with inflammable, explosive or dangerous fluid. In this cases contact Stucchi Technical Support for assistance.

3.0 INSTRUCTIONS FOR STOCK PRESERVATION

For a correct preservation of the product and in order to avoid damage before even starting to use the product read carefully the following instructions.



3.1 Packaging

The products have to be kept in closed packaging to protect the components, mainly the seals, from dust and ultraviolet rays.

3.2 Environments

The products shall be kept in environments with low percentage of humidity, no condensation, no salt, protected from atmospheric factors, far away from heating devices and magnetic fields. Eliminate equipment that can produce ozone, as this element is extremely destructive for the seals.

3.3 Protection cap

The protection cap assembled on the thread has to be removed at the moment of the product installation only.

3.4 Special packaging

In case of requests for special packaging contact the customer service.

4.0 INSTALLATION INSTRUCTIONS

4.1 Pre Installation inspections

Before installation of the product it is necessary to inspect it visually and to verify if the part number and description of the product refers to the one requested.

4.2 Hose size

The optimal is to use the hoses having the same sizes as the coupling body, can be used the hoses having one size more (step up) than the coupling but not bigger otherwise they can overstress the coupling with risk of failure.

4.3 Hose assembling

In case of single coupling one part (female or male) can be assembled directly on the rigid tube, but the other part shall be assembled on the flexible hose in order to allow an easy connection and absorb better the vibration and mechanical stress. In case of the multicoupling both parts (fixed and mobile) shall be assembled on the flexible hoses to avoid the misalignment of the couplings. Once connected the flexible hose should create a right radius according to the hose manufacturer specifications, in this way the connection/disconnection of the couplings takes place in easy way and aligned position.

4.4 Side load

Don't apply radial/axial loads that create misalignment of the couplings during connection/disconnection and can cause damage on the connection and sealing parts.

4.5 Fitting assembling

Use fittings and sealing systems conform to the thread of the product only. To install and remove the couplings use proper tools and act only on flat spanner surfaces of the coupling. Do not use improper tools (spanner for hoses, bench vice, pincer etc.) while these can cause damage on the coupling with malfunction as result. Use the tightening torque stabilized by the norm to screw the fittings.

4.6 Positioning of the coupling

It is suggested to install the couplings in such way that they can easy be connected and disconnected, reducing to the minimum the forces and risks for the operator. It's suggested to install the coupling not exposed in order to protect it from collision with other parts. It is suggested to protect the couplings using shelters and protections (see sector norms) to guarantee the security and to prevent damage.

5.0 INSTRUCTIONS OF USE

5.1 Modality of use

The modality of use changes in accordance to the type of product used.

For every type of product, the modality of use described in the catalogue or the specific usage instructions supplied by Stucchi have to be carefully followed. The system has to be immediately stopped and the product should be replaced whenever one of the following conditions will occur:

- Visible damage, damaged parts of the product, cracks and corrosion.
- Difficulties in connection and disconnection generated by too high force compared to the data mentioned in the catalogue.
- Presence of leakage.
- Malfunctioning of the valve.

In the above mentioned cases please contact Stucchi Technical Support for information.

5.2 Connection / Disconnection

Before connecting, the parts of the couplings involved in the connection have to be cleaned. Connection with dirty parts may cause damage such as unexpected and dangerous leakage on the coupling. Another consequence of dirt is contamination of the system. Do connect and disconnect the coupling only as indicated in the modality of use: do not use other unsuitable tools. A loss of fluid contained in the circuit may occur during the disconnection of the coupling. The approximate spillage values are shown in the catalog. It is recommended to pay maximum attention during the disconnection phase and to activate the necessary precautions to avoid the dispersion of fluids in the environment.

5.3 Mechanical damage

The product shall not be exposed to mechanical damages while they can cause damage and malfunctioning. Do not use tools to open the valves to release residual pressure trapped in the circuit.

5.4 Circuits cleaning

Use the products in clean circuits. Dirt can damage components of the product and cause malfunctioning.

5.5 Protection caps

Use anti-dust caps when coupling is disconnected to avoid dirt and contamination and to protect the surface from accidental damage caused by collisions.

5.6 Use of semi-couplings of other manufacturers.

Do not connect Stucchi half-couplings with other not compatible half-couplings. In case of connection of a Stucchi half-coupling with a half-coupling from another manufacturer, do not exceed the lowest nominal pressure of the two products.

6.0 MAINTENANCE INSTRUCTIONS

The good functional of product is often compromised by a lack of maintenance. To avoid unexpected damage that can cause times of arrest and safety risks it is necessary to apply maintenance periodically.

The period dedicated to the maintenance of the product has to be defined by the user and depends on the type of application and on the working conditions the product is exposed to.

6.1 Ordinary - Preventive maintenance

First, the product should be well cleaned and the area where it is installed as well, then you should check and verify the following steps:

- Absence of breakage or various damage on the products.
- Absence of leakage in general.
- Correctness of tightening torque of the adapters.
- Check the level of circuit contamination.
- The connected parts or the parts in movement should be greased with grease compatible with the seals assembled in the products.
- The replacement of the coupling should be planned in accordance with the requested endurance for the specific application.

6.2 Repair

In case of repair of the products it is recommended to follow Stucchi's specific instructions and use spare parts, tools and documentation supplied by Stucchi only. Please contact Stucchi Technical Support for the above specific information.

7.0 Disposal instructions

Do not litter the product after use. The product must be disposed according to the local law and the requirements of the relevant local authorities. Details about product composition are reported in the catalogs on stucchigroup.com. The user is responsible for the waste characterization and its disposal.

IT IS THE RESPONSIBILITY OF THE USER TO SELECT, INSTALL AND USE THE QUICK RELEASE COUPLING IN THE CORRECT WAY.

The texts, data and illustrations indicated in this catalogue, may be changed by Stucchi S.p.A at any time without notice. For more information please contact the Stucchi Technical Support, in any case we remind for **last updated version always applied at time of installation, see latest written instruction on stucchigroup.com before selecting or using Stucchi products.**

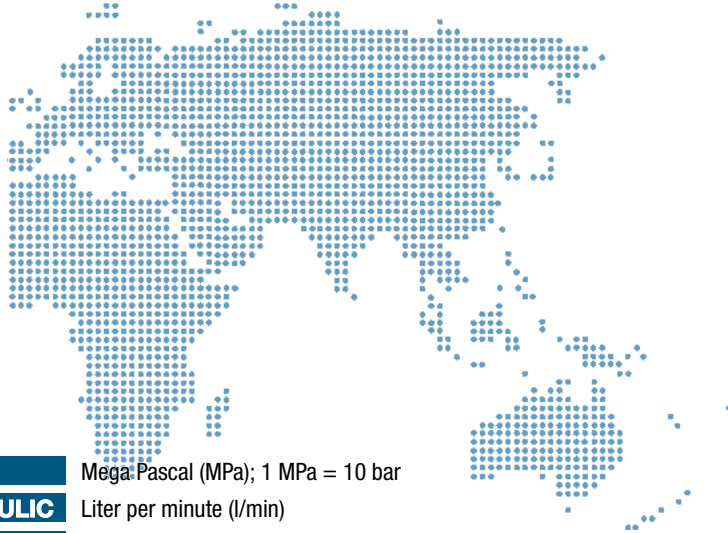
Unit of measure

**Anglo Saxon
Imperial System
(USA)**



Characteristic

**International
Metric System (SI)**



Pound/Square Inch (psi)	PRESSURE	Mega Pascal (MPa); 1 MPa = 10 bar
Gallon per minute (US-GPM)	FLOW IN HYDRAULIC	Liter per minute (l/min)
Pound force (lbf)	FORCE	Newton (N); 1 Newton (N) = 0,1019 Kg/Force
Pound force per Foot (lbf ft)	TORQUE	Newton meter (Nm)
Fahrenheit degree (°F)	TEMPERATURE	Celsius degree (°C)
Inch (Inch) Foot (ft)	LENGHT	Millimeter (mm) Meter (m)
Pound (lb)	WEIGHT	Kilogram (kg)

Temperature

USA > SI

- 1 psi = 0,0069 Mpa
- 1 GPM = 3,78 l/min
- 1 lbf = 4,444 N
- 1 lbf ft = 1,357 Nm
- °F = (°C*1,8)+32
- 1 Inch = 25,4 mm 1 ft = 0,3048 m
- 1 lb = 0,4536 kg

Conversions

SI > USA

- 1 Mpa = 145 psi
- 1 l/min = 0,265 CPM
- 1 N = 0,225 lbf
- 1 Nm = 0,737 lbf ft
- °C = (°F-32)/1,8
- 1 mm = 0,03937 Inch 1 m = 3,28084 ft
- 1 kg = 2,2046 kg

Temperature range Celsius degrees °C	Seal compound	Temperature range Fahrenheit degrees °F
Oil -20 > +100	NBR (Nitrile)	Oil -4 > +212
Water +5 > +60		Water +41 > +140

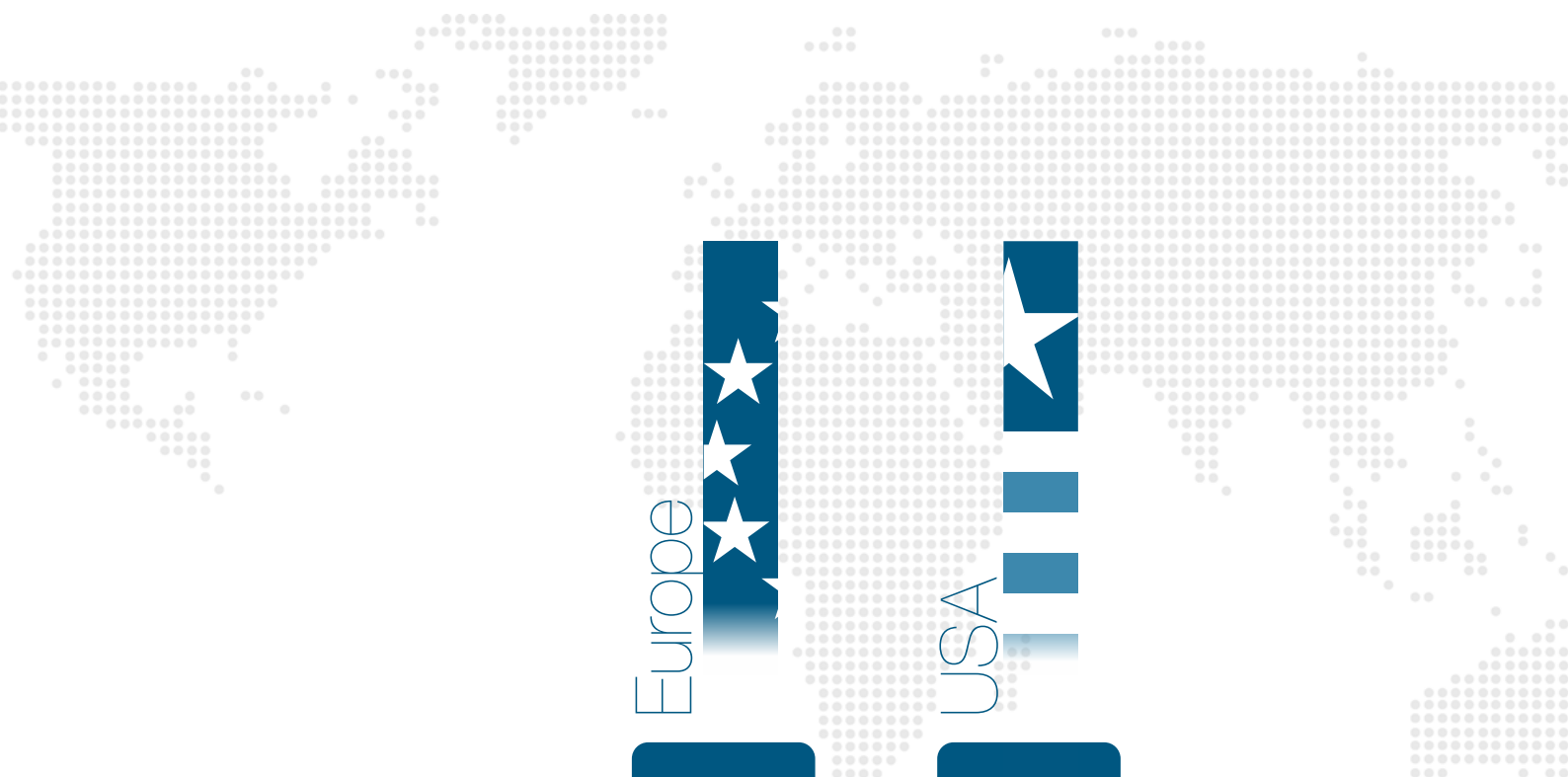
SEAL Temperature range

It is a generic indication of the seal temperature range given by Stucchi seal suppliers after laboratory tests made in standard conditions. It is given for Customer information only (is intended as a guide but not as a warranty). It does not mean all the Stucchi products are homologated for such seal temperature range. Fluid in use, external condition (radiant heating, temperature changes...), internal condition (duration of exposure, state changes of the fluid, thermal expansion...) should be taken into account. Every application has to be analyzed by the Customer prior to do the final choice. Please contact us for further information.

SEAL compatibility

Verify that the seals of the product are compatible with the medium used. Make sure that no other not compatible fluids do not come in contact with the seals in case of maintenance or due to external environment condition. Do not use Stucchi product with flammable, explosive or dangerous fluids. We always recommend to do a customer verification & validation test to approve the products in the specific application prior to do the final choice. Please contact us for further information.

Size, different references



Body size (Inch)	ISO size	Dash size
1/8	(4)	-2
1/4	6.3	-4
3/8	10	-6
1/2	12.5	-8
5/8	16	-10
3/4	19	-12
1	25	-16
1-1/4	31,5	-20
1-1/2	40	-24
2	50	-32

Brinelling

Markings of the locking balls on the metallic parts where they are in contact with high impulse applications.

Burst pressure

Value of pressure at which a coupling loses its ability to retain pressure.

Dis/Connect force

Value of force required to dis/connect the couplings without residual pressure in the system.

Connect torque

Value of torque required to connect the couplings without residual pressure in the system.

Coupled

Male coupling half connected with the female coupling half.

Disconnect torque

Value of torque required to disconnect the couplings without residual pressure in the system.

Interchangeability

Possibility of male coupling half or female coupling half to connect with the other brands of couplings.

ISO Size

Size indicated by ISO standard (the International Organization for Standardization) related to interchangeability of the couplings.

ISO Norm

The norms used as reference for the test method are two: ISO 7241-2 issued in 1986 then canceled and replaced in 2017 by the new ISO 18869.

Mechanical connection

Method or type of connection that creates retention between the male coupling half and female coupling half.

Max. flow suggested

Max. flow suggested by Stucchi

Max. operating pressure

The maximum peak of pressure at which can be used the product.

Max. residual pressure during connection

Max. allowed residual pressure (pressure trapped in the circuit) to connect the coupler.

Max. residual pressure during disconnection

Max. allowed residual pressure (pressure trapped in the circuit) to disconnect the coupler.

Pressure drop

Pressure lost between the inlet and the outlet of the coupling.

Quick coupling

A quick, easy, sure product to repeatedly connect and disconnect almost any fluid line in a system and to turn off the flow immediately upon disconnect.

Rated flow

Typical rated flow relative to the size, in accordance with ISO norm standard.

Size

Nominal size of coupling body.

Spillage

Indicative value of the fluid loss per couple - uncouple cycle without residual pressure. Checked on sample in accordance with ISO norm test method.

Temperature range

See page 190.

Tightening torque

Recommended torque to apply during connection on screw to connect couplings to prevent accidental disconnection.

Valve system

Type of valve used to shut-off medium flow in the male or female coupling half once disconnected.



Note:



A series of horizontal lines for writing, spanning the width of the page.

Stucchi S.p.A.
Headquarter

Via della Lira Italiana, 397
24040 Pagazzano (BG) Italy

stucchigroup.com



Stucchi USA inc.

1105 Windham Parkway,
Romeoville
IL 60446 USA
stucchiusa.com

Stucchi (Shanghai)

Fluid Power Technology Co., Ltd
No. 5, Lane 3500, Xiupu Road
Kangqiao Industrial Park
Pudong New District
201315 Pudong Shanghai, China
stucchichina.com

Stucchi FCP Pty Ltd.

8/7-11 Rodeo Drive
Dandenong South
VIC 3175 Australia

Unit3, 22 Strathwyn Street
Brendale,
QLD 4500 Australia
stucchigroup.com/en-au

Stucchi Engates Hidraulicos Ltda.

Rua Henrique Manasses, 105, Salas 03, 04,
BOX 84 18086-610 - Bairro Eden - Sorocaba
SP - Brasil
stucchigroup.com/br-pt

